

# omniconnect

## P.C.B. connectors

Screw clamp connection

Female plugs

Spacing 3.81 mm

Body : UL94 V0

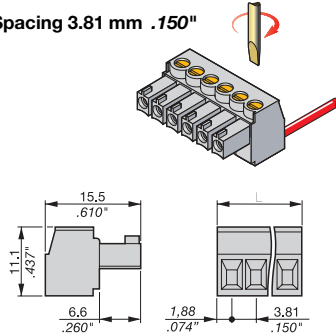


Plug shape  
RECTANGULAR

### L 243 200 01

Wires parallel to connection

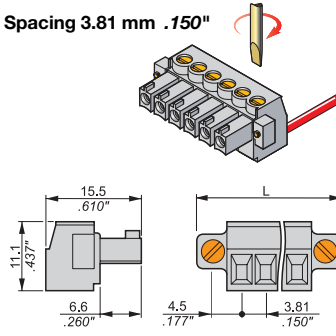
Spacing 3.81 mm .150"



### L 243 200 31

Wires parallel to connection with flanges and M2.5 screws

Spacing 3.81 mm .150"



Part number

Spacing 3.81 mm Grey body

N. Poles		L. mm
2	L 243 202 01 000	7.57
3	L 243 203 01 000	11.38
4	L 243 204 01 000	15.19
5	L 243 205 01 000	19.00
6	L 243 206 01 000	22.81
7	L 243 207 01 000	26.62
8	L 243 208 01 000	30.43
9	L 243 209 01 000	34.24
10	L 243 210 01 000	38.05
11	L 243 211 01 000	41.86
12	L 243 212 01 000	45.67
13	L 243 213 01 000	49.48
14	L 243 214 01 000	53.29
15	L 243 215 01 000	57.10
16	L 243 216 01 000	60.91

Part number

Spacing 3.81 mm Grey body

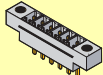
N. Poles		L. mm
2	L 243 202 31 000	18.01
3	L 243 203 31 000	21.82
4	L 243 204 31 000	25.63
5	L 243 205 31 000	29.44
6	L 243 206 31 000	33.25
7	L 243 207 31 000	37.06
8	L 243 208 31 000	40.87
9	L 243 209 31 000	44.68
10	L 243 210 31 000	48.49
11	L 243 211 31 000	52.30
12	L 243 212 31 000	56.11
13	L 243 213 31 000	59.92
14	L 243 214 31 000	63.73
15	L 243 215 31 000	67.54
16	L 243 216 31 000	71.35

Part number

Mating sockets for plugs



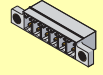
L 253 100 1



L 253 100 3



L 253 300 1



L 253 300 3

### Characteristics

Wire size

	DIN-VDE	UL	CSA	NFC-UTE
Solid	0.14-1.5mm <sup>2</sup>	28-16 AWG	28-16 AWG	0.14-1.5mm <sup>2</sup>
Stranded	0.14-1.5mm <sup>2</sup>			0.14-1.5mm <sup>2</sup>

Voltage

V	~	=			
	125 Gr.C	300	300	125 Cat.C	125 Cat.C

Current at 20° C

A	8	10	10	8

Rated wire size

	1.5 mm <sup>2</sup>	16 AWG	16 AWG

### Other characteristics

Wire stripping length	Recomm. screwdriver	Recomm. torque	Protection
6.5-7 mm 256"-276"	2.5 mm .098"	0.3 Nm 2.6 lb.in	IP 20 NEMA 1

Max. working temperature : 100 °C  
 Contacts resistance : ≤ 5 mΩ  
 Contacts plating : gold plating on request

Approvals



### Accessories

Type	Part number	Type	Part number	Type	Part number
R	See section on marking	Marking method			