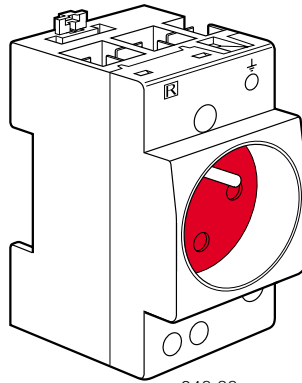
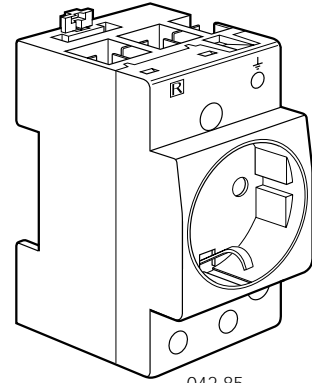


042 80



042 82

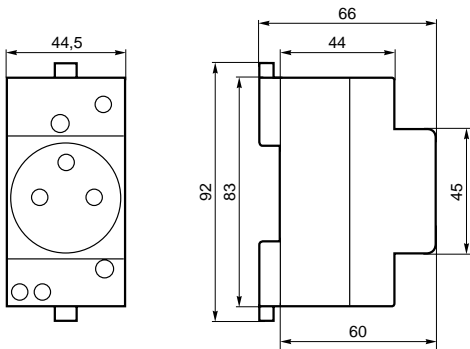


042 85

### 1. RANGE

- 10/16 A - 250 V±
- 2 P + E with safety shutters
- 2 P + E with safety shutters and tamperproof for protected or specialized circuits
- 2 P + E German standard

### 2. DIMENSIONS



### 3. ELECTRICAL CHARACTERISTICS

- Thermal current: 10/16 A
- Rated voltage 250 V
- Overvoltage category 1.2/50 μs: 4 kV<sub>~</sub>
- Dielectric strength: 2 kV<sub>~</sub>

### 4. REFERENCE STANDARDS

IEC 884-1  
NF C 61-303

### 5. MECHANICAL CHARACTERISTICS

#### • Environmental conditions

Storage temperature: - 10 °C to + 70 °C  
Operating temperature: - 5 °C to + 40 °C

- **Mechanical resistance:** IP xx3

### 5. MECHANICAL CHARACTERISTICS (continued)

#### • Materials

Casing	Polycarbonate	Density	1.18 to 1.25
		Bending module	> 2.20 GPa
		Incandescent wire	960 °C / 30 s
		Oxygen index	≥ 34
		Colour	Grey RAL 7035
Screw	Zinc bichromate finish steel		
Contacts	Nickel-plated copper		

### 6. INSTALLATION

#### • Wiring

#### Conductors permitted

Flexible with end caps	1.5 to 6 mm <sup>2</sup>
Rigid	1.5 to 10 mm <sup>2</sup>

#### Tools required:

Flat blade screwdriver	ø 4 to 5.5 mm Pz 1
Posidrive screwdriver	

#### Tightening torque

Min.	0.8 Nm
Max.	1.8 Nm
Recommended	1.2 Nm

Cage terminals, with combined Posidrive, releasable and captive screws

Protection against direct contact: IP 2x

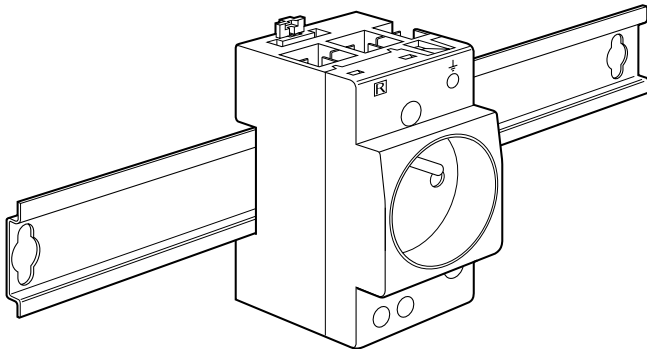
Slot on the top of the socket to allow the busbar to pass through

Busbar connection possible. For phase and neutral, connection from the bottom

**6. INSTALLATION (continued)**

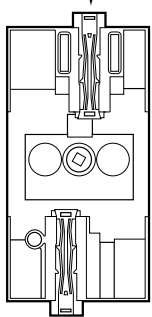
**• Mounting**

- Mounted on symmetrical rail EN 50-022



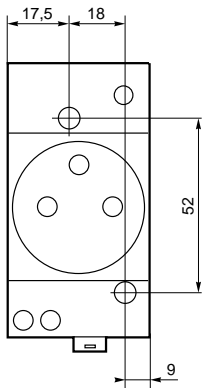
- Releasing the claws

2) push the claw downwards



1) Lift up with a screwdriver

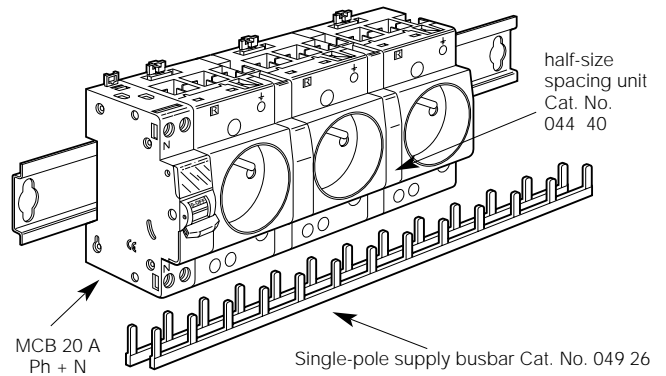
- On a plate (perforated or not) after releasing the top claw



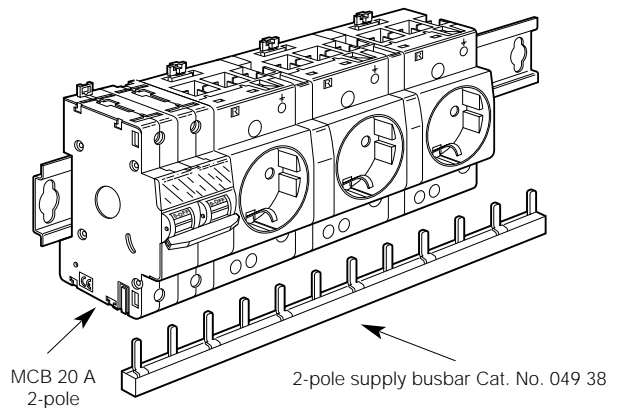
**6. INSTALLATION (continued)**

**• Power supply from the bottom**

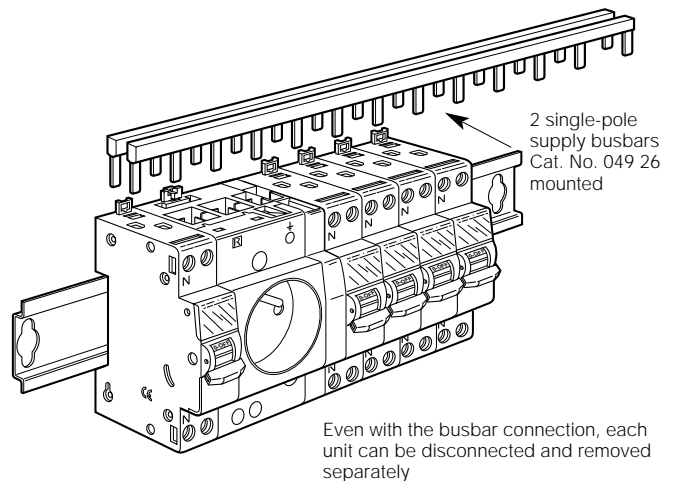
P + N - Cat. Nos. 042 80/82



2-pole - Cat. No. 042 85



Busbar passed through and held in place



Even with the busbar connection, each unit can be disconnected and removed separately

**7. ACCESSORIES**

**7.1 Wiring accessories**

Prong-type supply busbar Cat. No. 049 26

**7.2 Miscellaneous accessories**

Spacing unit Cat. No. 044 40

Mosaic 45 grid Cat. No. 748 72 for standard Mosaic socket

**8. PROTECTION INDEX**

Class II □  
IP 2x