

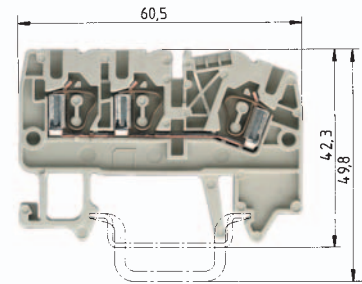
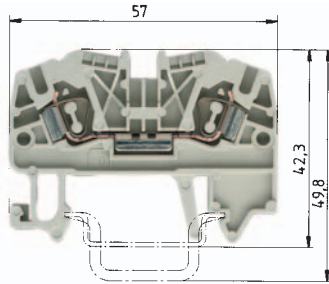
# Terminal blocks for electrical installations, type WKF

## fasis BIT/S

\*1) In order to maintain the proper isolation distances, the open side of a feed-through terminal block as well as both sides of a jumper are to be covered by partitions..

<sup>1)</sup> Please note the mounting instructions on page 38.

<sup>2)</sup> Do not use in Ex environments.



0344  $\text{Ex}$  II 2GD

EEx ell

EN 60 947-7-1/DIN VDE 0611 T1

UL ratings field/factory wiring

CSA ratings

KEMA 01 ATEX 2087 U<sup>1)</sup> EN 50019/EN 50014

Width Wire strip length

Approvals

### WKF 2,5/35

fine-stranded solid	V	A
0.13 – 2.5 mm <sup>2</sup> 0.13 – 4 mm <sup>2</sup>	800 V/8 kV/3	24
No. 22-12 AWG	600 V	20/30
No. 24-12 AWG	600 V	25
0.5 – 2.5 mm <sup>2</sup> 0.5 – 4 mm <sup>2</sup>	750 V*)	22
5 mm		11 mm



### WKF 2,5 D1/2/35

fine-stranded solid	V	A
0.13 – 2.5 mm <sup>2</sup> 0.5 – 4 mm <sup>2</sup>	800 V/8 kV/3	24
No. 22-12 AWG	600 V	20/30
No. 24-12 AWG	600 V	25
0.5 – 2.5 mm <sup>2</sup> 0.5 – 4 mm <sup>2</sup>	750 V*)	22
5 mm		11 mm



		Type	Part No.	Std. Pack	Type	Part No.	Std. Pack
<b>Feed-through block</b>	gray	WKF 2,5/35	56.703.0053.0	100	WKF 2,5/D1/2/35	56.703.5053.0	100
<b>Feed-through block</b>	blue	WKF 2,5/35 BLAU	56.703.0053.6	100	WKF 2,5/D1/2/35 BLAU	56.703.5053.6	100
<b>Duo feed-through block</b>	gray						
<b>Duo feed-through block</b>	blue						
<b>Supply block</b>	gray						
<b>Accessories</b>							
1. Mounting rail 35, 7.5 mm high	L = 2 m	35x27x7,5 EN 60715	98.300.0000.0	1	35x27x7,5 EN 60715	98.300.0000.0	1
Mounting rail 35, 15 mm high	L = 2 m	35x24x15 EN 60715	98.360.0000.0	1	35x24x15 EN 60715	98.360.0000.0	1
2. End clamp TS 35, with screw <sup>2)</sup>	8 mm wide	9708/2 S35	Z5.522.8553.0	100	9708/2 S35	Z5.522.8553.0	100
End clamp TS 35, without screw	8 mm wide	WEF 1/35	Z5.523.9353.0	100	WEF 1/35	Z5.523.9353.0	100
3. End plate	gray	APF 2,5 – 4	07.312.2153.0	10	APF 2,5 /D1/2	07.312.2353.0	10
	blue	APF 2,5 – 4 BLAU	07.312.2153.6	10	APF 2,5/D1/2 BLAU	07.312.2353.6	10
4. Partition plate	gray	TWF 2,5 – 4	07.312.2253.0	10	TWF 2,5/D1/2	07.312.2453.0	10
	blue	TWF 2,5 – 4 BLAU	07.312.2253.6	10	TWF 2,5/D1/2 BLAU	07.312.2453.6	10
5. Cross connector	2 pole	IVB WKF 2,5 – 2	Z7.280.6227.0	10	IVB WKF 2,5 – 2	Z7.280.6227.0	10
insulated (jumper bar)	3 pole	IVB WKF 2,5 – 3	Z7.280.6327.0	10	IVB WKF 2,5 – 3	Z7.280.6327.0	10
	4 pole	IVB WKF 2,5 – 4	Z7.280.6427.0	10	IVB WKF 2,5 – 4	Z7.280.6427.0	10
	5 pole	IVB WKF 2,5 – 5	Z7.280.6527.0	10	IVB WKF 2,5 – 5	Z7.280.6527.0	10
	6 pole	IVB WKF 2,5 – 6	Z7.280.6627.0	10	IVB WKF 2,5 – 6	Z7.280.6627.0	10
	7 pole	IVB WKF 2,5 – 7	Z7.280.6727.0	20	IVB WKF 2,5 – 7	Z7.280.6727.0	20
	8 pole	IVB WKF 2,5 – 8	Z7.280.6827.0	20	IVB WKF 2,5 – 8	Z7.280.6827.0	20
	9 pole	IVB WKF 2,5 – 9	Z7.280.6927.0	20	IVB WKF 2,5 – 9	Z7.280.6927.0	20
	10 pole	IVB WKF 2,5 – 10	Z7.280.7027.0	20	IVB WKF 2,5 – 10	Z7.280.7027.0	20
6. Wire entry guide	0.13 – 0.2 mm <sup>2</sup>	LEL 2,5/1 WEISS	05.561.6553.0	100	LEL 2,5/1 WEISS	05.561.6553.0	100
	0.25 – 0.5 mm <sup>2</sup>	LEL 2,5/2 GRAU	05.561.6653.0	100	LEL 2,5/2 GRAU	05.561.6653.0	100
	0.75 – 1.0 mm <sup>2</sup>	LEL 2,5/3 SCHWARZ	05.561.6753.0	100	LEL 2,5/3 SCHWARZ	05.561.6753.0	100
7. Cover with warning symbol over 4 blocks		ADF 2,5/4 GELB	04.343.6053.8	10	ADF 2,5/4 GELB	04.343.6053.8	10
8. Busbar, E-Cu 10x3 mm, tin-plated	L = 1 m						
9. Connector clamp for busbar	8.5 mm wide						
	12.5 mm wide						
	17 mm wide						
10. Busbar support, as end clamp	8 mm wide						
11. Screwdriver, uninsulated		DIN 5264 B 0,6x3,5	06.502.4000.0	5	DIN 5264 B 0,6x3,5	06.502.4000.0	5
Marking accessories see page 118-121							

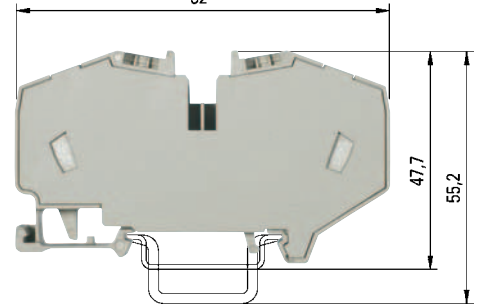
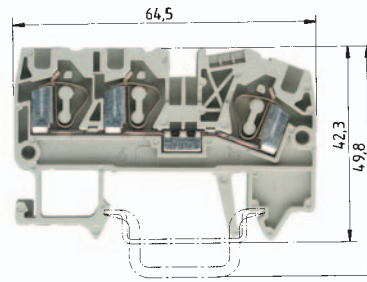
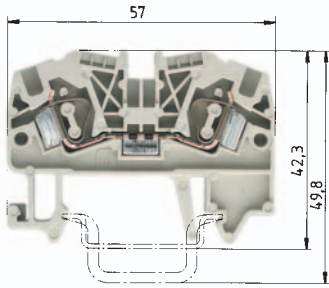
# Supply blocks with spring clamp connection for junction boxes, type WKF



- Potential distribution with standard cross connector IVB WKF 4...
- Parallel connection of two cross connectors -> double jumpering
- Potential distributions are possible on one or both sides

Potential distribution				
Jumpering	one side		both sides	
	single	double	single	double
$I_{max}^{(3)}$	64	76	76	76
$I_{Nblock}$	1)	1)	1)	1)

$$I_{max} = \sum_{82} I_n \leq \sum I_{Nblock}$$



## WKF 4/35

fine-stranded solid V A  
 0.13 – 4 mm<sup>2</sup> 0.13 – 6 mm<sup>2</sup> 800 V/8 kV/3 32  
 No. 22-10 AWG 600 V 20/30  
 No. 22-10 AWG 600 V 35  
 0.5 – 4 mm<sup>2</sup> 0.5 – 6 mm<sup>2</sup> 750 V\*) 28  
 6 mm 11 mm



## WKF 4 D1/2/35

fine-stranded solid V A  
 0.13 – 4 mm<sup>2</sup> 0.5 – 6 mm<sup>2</sup> 800 V/8 kV/3 32  
 No. 22-10 AWG 600 V  
 No. 22-10 AWG 600 V 35  
 0.5 – 4 mm<sup>2</sup> 0.5 – 6 mm<sup>2</sup> 750 V\*) 28  
 6 mm 11 mm



## WKF 16/35 PV/WKF

fine-stranded stranded V A  
 4 – 16 mm<sup>2</sup> 4 – 16 mm<sup>2</sup> 800 V/8 kV/3 76<sup>3)</sup>  
 No. 12-6 AWG 600 V 20  
 No. 12-6 AWG 600 V 20  
 12 mm 11 mm



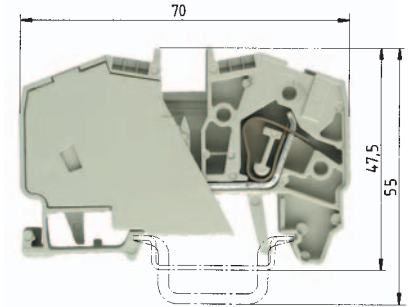
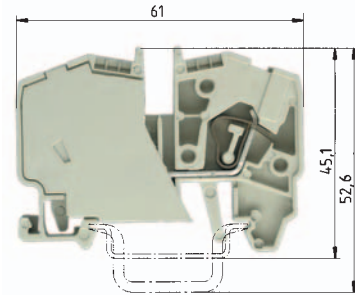
Type	Part No.	Std. Pack	Type	Part No.	Std. Pack	Type	Part No.	Std. Pack
WKF 4/35	56.704.0053.0	100						
WKF 4/35 BLAU	56.704.0053.6	100						
			WKF 4 D1/2/35	56.704.5053.0	100			
			WKF 4 D1/2/35 BLAU	56.704.5053.6	100			
						WKF 16/35 PV/WKF	56.716.0153.0	20
35x27x7,5 EN 60715	98.300.0000.0	1	35x27x7,5 EN 60715	98.300.0000.0	1			
35x24x15 EN 60715	98.360.0000.0	1	35x24x15 EN 60715	98.360.0000.0	1	35x27x7,5 EN 60715	98.300.0000.0	1
9708/2 S35	Z5.522.8553.0	100	9708/2 S35	Z5.522.8553.0	100	35x24x15 EN 60715	98.360.0000.0	1
WEF 1/35	Z5.523.9353.0	100	WEF 1/35	Z5.523.9353.0	100	9708/2 S35	Z5.522.8553.0	100
APF 2,5 – 4	07.312.2153.0	10	APF 4/D1/2	07.312.4853.0	10	WEF 1/35	Z5.523.9353.0	100
APF 2,5 – 4 BLAU	07.312.2153.6	10	APF 4/D1/2 BLAU	07.312.4853.6	10			
TWF 2,5 – 4	07.312.2253.0	10	TWF 4/D1/2	07.312.4953.0	10			
TWF 2,5 – 4 BLAU	07.312.2253.6	10	TWF 4/D1/2 BLAU	07.312.4953.6	10			
IVB WKF 4 – 2	Z7.261.1227.0	10	IVB WKF 4 – 2	Z7.261.1227.0	10			
IVB WKF 4 – 3	Z7.261.1327.0	10	IVB WKF 4 – 3	Z7.261.1327.0	10			
IVB WKF 4 – 4	Z7.261.1427.0	10	IVB WKF 4 – 4	Z7.261.1427.0	10			
IVB WKF 4 – 5	Z7.261.1527.0	10	IVB WKF 4 – 5	Z7.261.1527.0	10			
IVB WKF 4 – 6	Z7.261.1627.0	10	IVB WKF 4 – 6	Z7.261.1627.0	10			
IVB WKF 4 – 7	Z7.261.1727.0	20	IVB WKF 4 – 7	Z7.261.1727.0	20			
IVB WKF 4 – 8	Z7.261.1827.0	20	IVB WKF 4 – 8	Z7.261.1827.0	20			
IVB WKF 4 – 9	Z7.261.1927.0	20	IVB WKF 4 – 9	Z7.261.1927.0	20			
IVB WKF 4 – 10	Z7.261.2027.0	20	IVB WKF 4 – 10	Z7.261.2027.0	20			
LEL 4/1 WEISS	05.561.8553.0	100	LEL 4/1 WEISS	05.561.8553.0	100			
LEL 4/2 GRAU	05.561.8653.0	100	LEL 4/2 GRAU	05.561.8653.0	100			
LEL 4/3 SCHWARZ	05.561.8753.0	100	LEL 4/3 SCHWARZ	05.561.8753.0	100			
ADF 4/4 GELB	04.343.6153.8	10	ADF 4/4 GELB	04.343.6153.8	10			
						ADF 16/4 GELB	04.343.6653.8	10
DIN 5264 B 0,6x3,5	06.502.4000.0	5	DIN 5264 B 0,6x3,5	06.502.4000.0	5	DIN 5264 B 1,0x5,5	06.502.4200.0	5

# Terminal blocks for electrical installations, type WKF/WKIF

## fasis BIT IS

<sup>1)</sup> For mounting instructions see page 38.

<sup>2)</sup> Do not use in Ex environments.



0344 II 2GD

EEx ell

EN 60 947-7-1/DIN VDE 0611 T1

UL ratings field/factory wiring

CSA ratings

KEMA 01 ATEX 2087 U<sup>1)</sup> EN 50019/EN 50014

Width Wire strip length

Approvals

### WKF 6/35

fine-stranded	solid	V	A
0.5 – 6 mm <sup>2</sup>	0.5 – 6 mm <sup>2</sup>	800 V/8 kV/3	41
No. 20-10 AWG		600 V	40
No. 20-10 AWG		600 V	47
0.5 – 6 mm <sup>2</sup>	0.5 – 6 mm <sup>2</sup>	750 V	38
8 mm			12 mm



### WKF 10/35

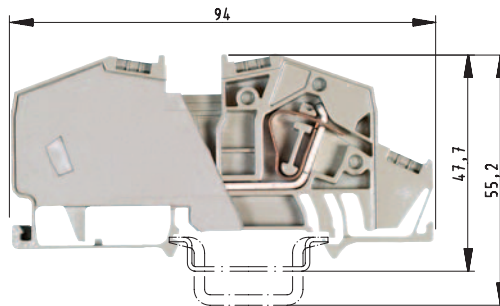
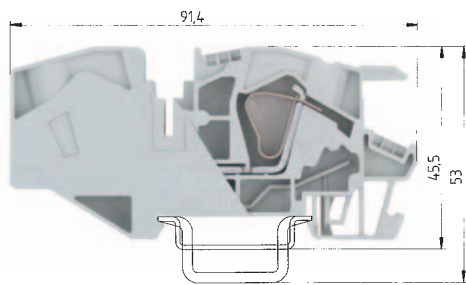
fine-stranded	solid	V	A
2.5 – 10 mm <sup>2</sup>	2.5 – 10 mm <sup>2</sup>	800 V/8 kV/3	57
No. 14-8 AWG		600 V	55
No. 14-8 AWG		600 V	65
2.5 – 10 mm <sup>2</sup>	2.5 – 10 mm <sup>2</sup>	750 V	54
10 mm			13 mm



	Type	Part No.	Std. Pack	Type	Part No.	Std. Pack
<b>Feed-through block</b> gray	WKF 6/35	56.706.0053.0	100	WKF 10/35	56.710.0053.0	50
<b>Feed-through block</b> blue	WKF 6/35 BLAU	56.706.0053.6	100	WKF 10/35 BLAU	56.710.0053.6	50
<b>Neutral disconnect block</b> blue						
<b>Ground block</b> green/yellow						
<b>Accessories</b>						
1. Mounting rail 35, 7.5 mm high L = 2 m	35x27x7,5 EN 60715	98.300.0000.0	1	35x27x7,5 EN 60715	98.300.0000.0	1
Mounting rail 35, 15 mm high L = 2 m	35x24x15 EN 60715	98.360.0000.0	1	35x24x15 EN 60715	98.360.0000.0	1
2. End clamp TS 35, with screw <sup>2)</sup> 8 mm wide	9708/2 S35	Z5.522.8553.0	100	9708/2 S35	Z5.522.8553.0	100
End clamp TS 35, without screw 8 mm wide	WEF 1/35	Z5.523.9353.0	100	WEF 1/35	Z5.523.9353.0	100
3. End plate gray						
blue						
4. Partition plate gray						
blue						
5. Cross connector 2 pole	IVB WKF 6 – 2	Z7.282.4227.0	10	IVB WKF 10 – 2	Z7.283.8227.0	10
insulated (jumper bar) 3 pole						
4 pole						
5 pole						
6 pole						
7 pole						
8 pole						
9 pole						
10 pole						
6. Wire entry guide 0.13 – 0.2 mm <sup>2</sup>						
0.25 – 0.5 mm <sup>2</sup>						
0.75 – 1.0 mm <sup>2</sup>						
7. Cover with warning symbol over 4 blocks	ADF 6/4 GELB	04.343.6253.8	10	ADF 10/4 GELB	04.343.6453.8	10
8. Busbar, E-Cu 10x3 mm, tin-plated L = 1 m	9813 M SN	98.290.1000.0	1	9813 M SN	98.290.1000.0	1
9. Connector clamp for busbar 8.5 mm wide						
12.5 mm wide						
17 mm wide						
10. Busbar support, as end clamp 8 mm wide	WKIF SH/E/35	Z1.108.8453.0	100	WKIF SH/E/35	Z1.108.8453.0	100
11. Screwdriver, uninsulated	DIN 5264 B 0,8x4	06.502.4100.0	5	DIN 5264 B 0,8x4	06.502.4100.0	5
Marking accessories see page 118-121						

# Terminal blocks for electrical installations, type WKF/WKIF

# Tasis



available for delivery 09/05

## WKIF 16/35

fine-stranded	stranded	V	A
4 – 16 mm <sup>2</sup>	4 – 16 mm <sup>2</sup>	800 V/8 kV/3	76

12 mm

16 mm

## WKIF 16/1 /35

fine-stranded	stranded	V	A
4 – 16 mm <sup>2</sup>	4 – 16 mm <sup>2</sup>	800 V/8 kV/3	76

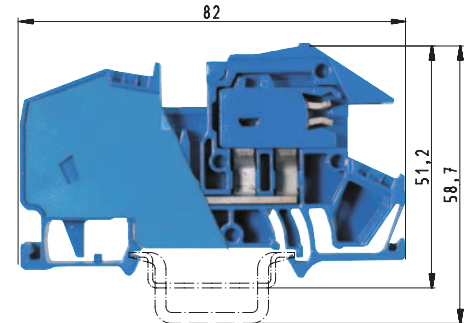
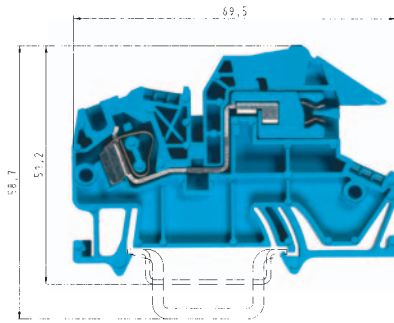
12 mm

16 mm

Type	Part No.	Std. Pack	Type	Part No.	Std. Pack
WKIF 16/35	56.716.1153.0	50	WKIF 16/1 /35	56.716.1155.0	50
WKIF 16/35 BLAU	56.716.1153.6	50	WKIF 16/1 /35 BLAU	56.716.1155.6	50
35x27x7,5 EN 60715	98.300.0000.0	1	35x27x7,5 EN 60715	98.300.0000.0	1
35x24x15 EN 60715	98.360.0000.0	1	35x24x15 EN 60715	98.360.0000.0	1
9708/2 S35	Z5.522.8553.0	100	9708/2 S35	Z5.522.8553.0	100
WEF 1/35	Z5.523.9353.0	100	WEF 1/35	Z5.523.9353.0	100
IVB WKIF 16 – 2	Z7.284.6227.0	10	IVB WKIF 16 – 2	Z7.284.6227.0	10
9813 M SN	98.290.1000.0	1	9813 M SN	98.290.1000.0	1
WKIF SH/E/35	Z1.108.8453.0	100	WKIF SH/E/35	Z1.108.8453.0	100
DIN 5264 B 1x5,5	06.502.4200.0	5	DIN 5264 B 1x5,5	06.502.4200.0	5

# Neutral disconnect blocks with spring clamp connection for junction boxes, type WKF/WKIF

**fasis** BITTS



## WKF 4 NT/35

fine-stranded solid V A  
0.13 – 4 mm<sup>2</sup> 0.13 – 6 mm<sup>2</sup> 400 V/6 kV/3 25

## WKF 10 NT/35

fine-stranded stranded V A  
2.5 – 10 mm<sup>2</sup> 2.5 – 10 mm<sup>2</sup> 400 V/6 kV/3 57

EN 60 947-7-1; 1991/DIN VDE 0611 T1/08.92  
UL ratings field/factory wiring  
CSA ratings  
Width Wire strip length  
Approvals

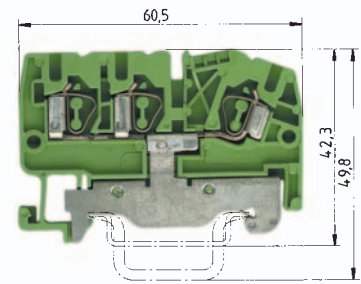
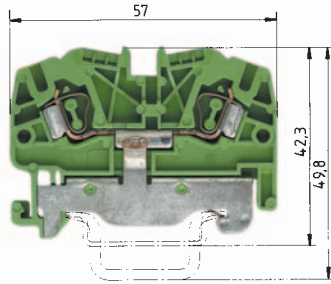
6 mm 11 mm 10 mm 13 mm

	Type	Part No.	Std. Pack	Type	Part No.	Std. Pack
<b>Feed-through block</b> gray						
<b>Feed-through block</b> blue						
<b>Neutral disconnect block</b> blue	WKF 4 NT/35	56.704.8153.0	100	WKF 10 NT/35	56.710.8153.0	50
<b>Ground block</b> green/yellow						
<b>Accessories</b>						
1. Mounting rail 35, 7.5 mm high L = 2 m	35x27x7,5 EN 60715	98.300.0000.0	1	35x27x7,5 EN 60715	98.300.0000.0	1
Mounting rail 35, 15 mm high L = 2 m	35x24x15 EN 60715	98.360.0000.0	1	35x24x15 EN 60715	98.360.0000.0	1
2. End clamp TS 35, with screw <sup>2)</sup> 8 mm wide	9708/2 S35	Z5.522.8553.0	100	9708/2 S35	Z5.522.8553.0	100
End clamp TS 35, without screw 8 mm wide	WEF 1/35	Z5.523.9353.0	100	WEF 1/35	Z5.523.9353.0	100
3. End plate gray						
blue	APF 4 NT	07.312.5653.0	10			
4. Partition plate gray						
5. Cross connector 2 pole	IVB WKF 4 – 2	Z7.261.1227.0	10	IVB WKF 10 – 2	Z7.283.8227.0	10
insulated (jumper bar) 3 pole	IVB WKF 4 – 3	Z7.261.1327.0	10			
4 pole	IVB WKF 4 – 4	Z7.261.1427.0	10			
5 pole	IVB WKF 4 – 5	Z7.261.1527.0	10			
6 pole	IVB WKF 4 – 6	Z7.261.1627.0	10			
7 pole	IVB WKF 4 – 7	Z7.261.1727.0	20			
8 pole	IVB WKF 4 – 8	Z7.261.1827.0	20			
9 pole	IVB WKF 4 – 9	Z7.261.1927.0	20			
10 pole	IVB WKF 4 – 10	Z7.261.2027.0	20			
6. Wire entry guide 0.13 – 0.2 mm <sup>2</sup>	LEL 4/1 WEISS	05.561.8553.0	100			
0.25 – 0.5 mm <sup>2</sup>	LEL 4/2 GRAU	05.561.8653.0	100			
0.75 – 1.0 mm <sup>2</sup>	LEL 4/3 SCHWARZ	05.561.8753.0	100			
7. Cover with warning symbol over 4 blocks	ADF 4/4 GELB	04.343.6153.8	10	ADF 10/4 GELB	04.343.6453.8	10
8. Busbar, E-Cu 10x3 mm, tin-plated L = 1 m	9813 M SN	98.290.1000.0	1	9813 M SN	98.290.1000.0	1
9. Connector clamp for busbar 8.5 mm wide	WAK 16/2 BLAU	30.494.3021.6	100	WAK 16/2 BLAU	30.494.3021.6	100
12.5 mm wide	WAK 35/2 BLAU	30.494.4021.6	100	WAK 35/2 BLAU	30.494.4021.6	100
17 mm wide	WAK 35/2	30.494.4121.0	50	WAK 35/2	30.494.4121.0	50
10. Busbar support, as end clamp 8 mm wide	WKIF SH/E/35	Z1.108.8453.0	100	WKIF SH/E/35	Z1.108.8453.0	100
11. Screwdriver, uninsulated	DIN 5264 B 0,6x3,5	06.502.4000.0	5	DIN 5264 B 0,8x4	06.502.4200.0	5
12. Switching disable for neutral disconnect switch				SPNT	05.565.6855.9	10
Marking accessories see page 118-121						



# Ground blocks with spring connection for junction boxes, type WKF

## fasis BITTS



- \*<sup>1)</sup> In order to maintain the proper isolation distances, the open side of a ground block is to be covered by an end plate.  
<sup>1)</sup> Please note the mounting instructions on page 38.  
<sup>2)</sup> Do not use in Ex environments.  
<sup>3)</sup> For the current carrying capability of the mounting rail see section **facts & DATA**  
<sup>4)</sup> Ratings for adjacent feed-through blocks of the same series and size

0344 II 2GD

EEx ell

EN 60 947-7-2/DIN VDE 0611 T3

UL ratings field/factory wiring

CSA ratings

KEMA 01 ATEX 2087 U<sup>1)</sup> EN 50019/EN 50014

Width Wire strip length

Approvals

### WKF 2,5 SL/35

fine-stranded solid V A

0.13 – 2.5 mm<sup>2</sup> 0.13 – 4 mm<sup>2</sup> 800 V/8 kV/3<sup>4)</sup> <sup>3)</sup>

No. 22-12 AWG 600 V

No. 24-12 AWG 600 V

0.5 – 2.5 mm<sup>2</sup> 0.5 – 4 mm<sup>2</sup> \*)

5 mm 11 mm



### WKF 2,5 D1/2/SL/35

fine-stranded solid V A

0.13 – 2.5 mm<sup>2</sup> 0.5 – 4 mm<sup>2</sup> 800 V/8 kV/3<sup>4)</sup> 24<sup>3)</sup>

No. 22-12 AWG 600 V 20/30

No. 24-12 AWG 600 V 25

0.5 – 2.5 mm<sup>2</sup> 0.5 – 4 mm<sup>2</sup> 750 V\*)

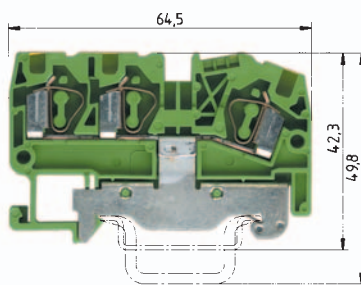
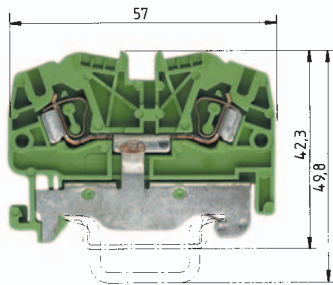
5 mm 11 mm



		Type	Part No.	Std. Pack	Type	Part No.	Std. Pack
<b>Ground block</b>	green/yellow	WKF 2,5 SL/35	56.703.9053.0	100			
<b>Duo ground block</b>	green/yellow				WKF 2,5/D1/2/SL/35	56.703.9353.0	100
<b>Accessories</b>							
1. Mounting rail 35, 7.5 mm high	L = 2 m	35x27x7,5 EN 60715	98.300.0000.0	1	35x27x7,5 EN 60715	98.300.0000.0	1
Mounting rail 35, 15 mm high	L = 2 m	35x24x15 EN 60715	98.360.0000.0	1	35x24x15 EN 60715	98.360.0000.0	1
2. End clamp TS 35, with screw <sup>2)</sup>	8 mm wide	9708/2 S35	Z5.522.8553.0	100	9708/2 S35	Z5.522.8553.0	100
End clamp TS 35, without screw	8 mm wide	WEF 1/35	Z5.523.9353.0	100	WEF 1/35	Z5.523.9353.0	100
3. End plate							
	gray						
	blue						
	green	APF 2,5 – 4 GRÜN	07.312.2153.7	10	APF 2,5 D1/2 GRÜN	07.312.2353.7	10
4. Partition plate							
	gray						
	blue						
5. Cross connector							
	2 pole						
insulated (jumper bar)							
	3 pole						
	4 pole						
	5 pole						
	6 pole						
	7 pole						
	8 pole						
	9 pole						
	10 pole						
6. Wire entry guide							
	0.13 – 0.2 mm <sup>2</sup>	LEL 2,5/1 WEISS	05.561.6553.0	100	LEL 2,5/1 WEISS	05.561.6553.0	100
	0.25 – 0.5 mm <sup>2</sup>	LEL 2,5/2 GRAU	05.561.6653.0	100	LEL 2,5/2 GRAU	05.561.6653.0	100
	0.75 – 1.0 mm <sup>2</sup>	LEL 2,5/3 SCHWARZ	05.561.6753.0	100	LEL 2,5/3 SCHWARZ	05.561.6753.0	100
7. Cover with warning symbol over 4 blocks					ADF 2,5/4 GELB	04.343.6053.8	10
8. Busbar, E-Cu 10x3 mm, tin-plated	L = 1 m						
9. Connector clamp for busbar							
	8.5 mm wide						
	12.5 mm wide						
	17 mm wide						
10. Busbar support, as end clamp	8 mm wide						
11. Screwdriver, uninsulated		DIN 5264 B 0,6x3,5	06.502.4000.0	5	DIN 5264 B 0,6x3,5	06.502.4000.0	5
Marking accessories see page 118-121							

# Ground blocks with spring connection for junction boxes, type **WKF**

# Tasits



### WKF 4 SL/35

fine-stranded solid V A  
 0.13 – 4 mm<sup>2</sup> 0.13 – 6 mm<sup>2</sup> 800 V/8 kV/3<sup>4</sup>) 32<sup>3</sup>)  
 No. 22-10 AWG 600 V  
 No. 22-10 AWG 600 V  
 0.5 – 4 mm<sup>2</sup> 0.5 – 6 mm<sup>2</sup> \*)  
 6 mm 11 mm



### WKF 4 D1/2/SL/35

fine-stranded solid V A  
 0.13 – 4 mm<sup>2</sup> 0.5 – 6 mm<sup>2</sup> 800 V/8 kV/3<sup>4</sup>) 32<sup>3</sup>)  
 No. 22-10 AWG 600 V  
 No. 22-10 AWG 600 V  
 0.5 – 4 mm<sup>2</sup> 0.5 – 6 mm<sup>2</sup> 750 V\*)  
 6 mm 11 mm



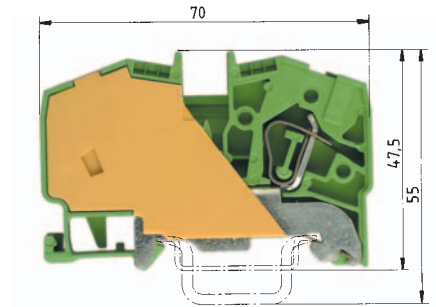
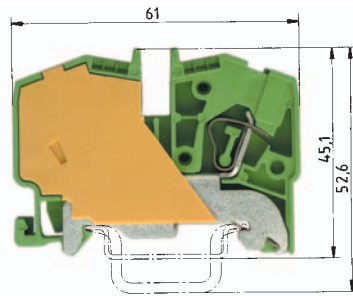
Type	Part No.	Std. Pack	Type	Part No.	Std. Pack
WKF 4 SL/35	56.704.9053.0	100	WKF 4 D1/2/SL/35	56.704.9353.0	100
35x27x7,5 EN 60715	98.300.0000.0	1	35x27x7,5 EN 60715	98.300.0000.0	1
35x24x15 EN 60715	98.360.0000.0	1	35x24x15 EN 60715	98.360.0000.0	1
9708/2 S35	Z5.522.8553.0	100	9708/2 S35	Z5.522.8553.0	100
WEF 1/35	Z5.523.9353.0	100	WEF 1/35	Z5.523.9353.0	100
APF 2,5 – 4 GRÜN	07.312.2153.7	10	APF 4 D1/2 GRÜN	07.312.4853.7	10
LEL 4/1 WEISS	05.561.8553.0	100	LEL 4/1 WEISS	05.561.8553.0	100
LEL 4/2 GRAU	05.561.8653.0	100	LEL 4/2 GRAU	05.561.8653.0	100
LEL 4/3 SCHWARZ	05.561.8753.0	100	LEL 4/3 SCHWARZ	05.561.8753.0	100
			ADF 2,5/4 GELB	04.343.6053.8	10
DIN 5264 B 0,6x3,5	06.502.4000.0	5	DIN 5264 B 0,6x3,5	06.502.4000.0	5



# Ground blocks with spring clamp connection for junction boxes, type WKF/WKIF

## fasis BITTS

- <sup>1)</sup> Please note the mounting instructions on page 38.
- <sup>2)</sup> Do not use in Ex environments.
- <sup>3)</sup> For the current carrying capability of the mounting rail see section **facts & DATA**
- <sup>4)</sup> Ratings for adjacent feed-through blocks of the same series and size



0344 II 2GD  
 EEx ell  
 EN 60 947-7-2/DIN VDE 0611 T3  
 UL ratings field/factory wiring  
 CSA ratings  
 KEMA 01 ATEX 2087 U<sup>1)</sup> EN 50019/EN 50014  
 Width Wire strip length  
 Approvals

### WKF 6 SL/35

fine-stranded solid V A  
 0.5 – 6 mm<sup>2</sup> 0.5 – 6 mm<sup>2</sup> 800 V/8 kV/3<sup>4)</sup> 41<sup>3)</sup>  
 No. 20-10 AWG 600 V  
 No. 20-10 AWG 600 V  
 0.5 – 6 mm<sup>2</sup> 0.5 – 6 mm<sup>2</sup>  
 8 mm 12 mm

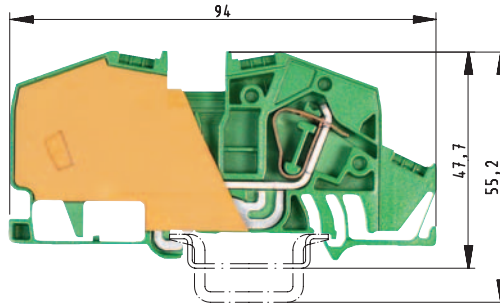
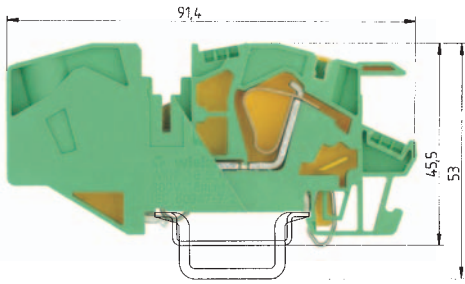
### WKF 10 SL/35

fine-stranded solid V A  
 2.5 – 10 mm<sup>2</sup> 2.5 – 10 mm<sup>2</sup> 800 V/8 kV/3<sup>4)</sup> 3<sup>3)</sup>  
 No. 14-8 AWG 600 V  
 No. 14-8 AWG 600 V  
 2.5 – 10 mm<sup>2</sup> 2.5 – 10 mm<sup>2</sup>  
 10 mm 13 mm

		Type	Part No.	Std. Pack	Type	Part No.	Std. Pack
<b>Ground block</b>	green/yellow	WKF 6 SL/35	56.706.9053.0	100	WKF 10 SL/35	56.710.9053.0	50
<b>Accessories</b>							
1. Mounting rail 35, 7.5 mm high	L = 2 m	35x27x7,5 EN 60715	98.300.0000.0	1	35x27x7,5 EN 60715	98.300.0000.0	1
Mounting rail 35, 15 mm high	L = 2 m	35x24x15 EN 60715	98.360.0000.0	1	35x24x15 EN 60715	98.360.0000.0	1
2. End clamp TS 35, with screw <sup>2)</sup>	8 mm wide	9708/2 S35	Z5.522.8553.0	100	9708/2 S35	Z5.522.8553.0	100
End clamp TS 35, without screw	8 mm wide	WEF 1/35	Z5.523.9353.0	100	WEF 1/35	Z5.523.9353.0	100
3. End plate							
	gray						
	blue						
	green						
4. Partition plate							
	gray						
	blue						
5. Cross connector							
	2 pole						
insulated (jumper bar)							
	3 pole						
	4 pole						
	5 pole						
	6 pole						
	7 pole						
	8 pole						
	9 pole						
	10 pole						
6. Wire entry guide							
	0.13 – 0.2 mm <sup>2</sup>						
	0.25 – 0.5 mm <sup>2</sup>						
	0.75 – 1.0 mm <sup>2</sup>						
7. Cover with warning symbol over 4 blocks		ADF 6/4 GELB	04.343.6253.8	10	ADF 10/4 GELB	04.343.6453.8	10
8. Busbar, E-Cu 10x3 mm, tin-plated	L = 1 m	9813 M SN	98.290.1000.0	1	9813 M SN	98.290.1000.0	1
9. Connector clamp for busbar							
	8.5 mm wide	WAK 16/2 BLAU	30.494.3021.6	100	WAK 16/2 BLAU	30.494.3021.6	100
	12.5 mm wide	WAK 35/2 BLAU	30.494.4021.6	100	WAK 35/2 BLAU	30.494.4021.6	100
	17 mm wide	WAK 35/2	30.494.4121.0	50	WAK 35/2	30.494.4121.0	50
10. Busbar support, as end clamp	8 mm wide	WKIF SH/E/35	Z1.108.8453.0	100	WKIF SH/E/35	Z1.108.8453.0	100
11. Screwdriver, uninsulated		DIN 5264 B 0,8x4	06.502.4100.0	5	DIN 5264 B 0,8x4	06.502.4100.0	5
Marking accessories see page 118-121							

# Ground blocks with spring clamp connection for junction boxes, type *WKF/WKIF*

# fastis



## WKIF 16 SL/35

fine-stranded 12 mm    stranded 16 mm    V 800 V/8 kV/3    A 76

## WKIF 16/1 SL/35

fine-stranded 12 mm    stranded 15 mm    V 800 V/8 kV/3    A 76

12 mm

16 mm

12 mm

15 mm

Type	Part No.	Std. Pack	Type	Part No.	Std. Pack
WKIF 16 SL/35	56.716.9153.0	50	WKIF 16/1 SL/35	56.716.9155.0	50
35x27x7,5 EN 60715	98.300.0000.0	1	35x27x7,5 EN 60715	98.300.0000.0	1
35x24x15 EN 60715	98.360.0000.0	1	35x24x15 EN 60715	98.360.0000.0	1
9708/2 S35	Z5.522.8553.0	100	9708/2 S35	Z5.522.8553.0	100
WEF 1/35	Z5.523.9353.0	100	WEF 1/35	Z5.523.9353.0	100
IVB WKIF 16 – 2	Z7.284.6227.0	10	IVB WKIF 16 – 2	Z7.284.4227.0	10
9813 M SN	98.290.1000.0	1	9813 M SN	98.290.1000.0	1
WAK 16/2 BLAU	30.494.3021.6	100	WAK 16/2 BLAU	30.494.3021.6	100
WAK 35/2 BLAU	30.494.4021.6	100	WAK 35/2 BLAU	30.494.4021.6	100
WAK 35/2	30.494.4121.0	50	WAK 35/2	30.494.4121.0	50
WKIF SH/E/35	Z1.108.8453.0	100	WKIF SH/E/35	Z1.108.8453.0	100
DIN 5264 B 1x5,5	06.502.4200.0	5	DIN 5264 B 1x5,5	06.502.4200.0	5
			ADF 16/4 GELB	04.343.6653.8	10