

Micro Hour Meters HK 46/HK 47



- 6- or 7-digit micro hour meters; displays 1/100 h
- low cost
- high shock resistance
- low power consumption; suitable for battery operation
- small dimensions
- magnified large figures
- flush mount with integrated spring clip (snap in) (HK 47.20)
- PCB-mount (HK 47.80)

- solderable and wash proof (HK 47.80)
- protection to IP 66
- long service life

Applications

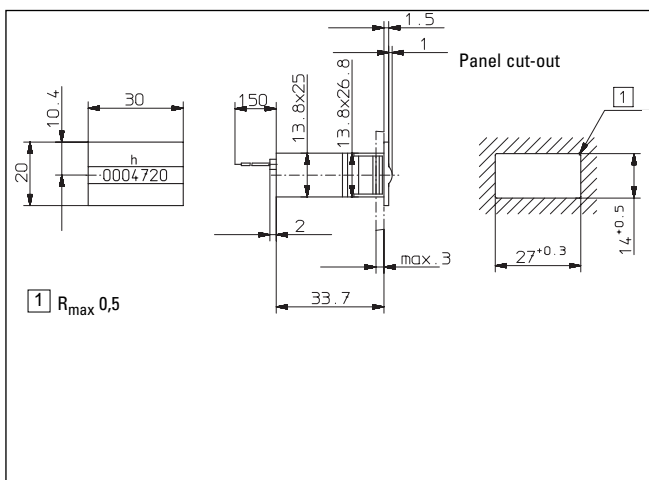
time registration, maintenance intervals for measuring instruments (respiration units, oxygen, dialysis), UV-lamps, machines panel indicators in vehicles ...

Technical data:

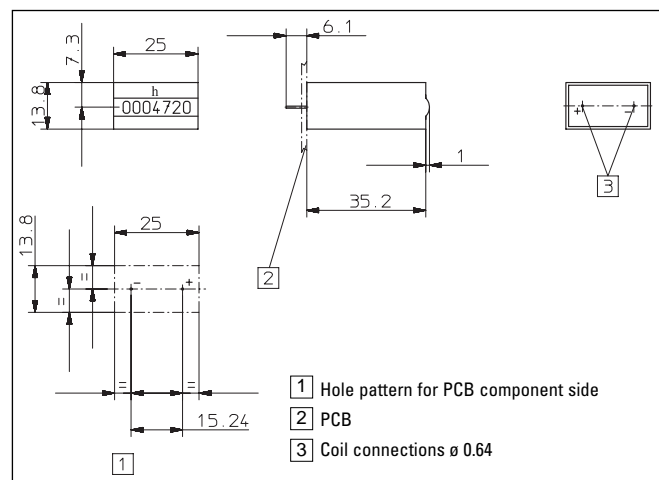
| | | | |
|------------------------|---|-------------------------------------|---|
| Drive: | Quartz controlled impulse counter | Height of figures: | HK 47: 4 x 1.25 mm; HK 46: 4 x 1,7 mm magnified |
| Impulse duration: | 32 ms; every 36 s = 0.01 h (Power on times < 36 s are not counted) | Reset: | no reset |
| Electrical connection: | HK 46.20/HK 47.20: Flying leads AWG 22, appr. 150 mm long (red +, black -) HK 46.80/HK 47.80: solder pins \varnothing 0.64 mm | Ambient temperature: | -10 ... +60 °C |
| Display: | 9999.99 h resp. 99999.99 h | Storage temperature: | -20 ... +70 °C |
| Figures: | white on black 1/10, 1/100 decimal red on black | Mounting position: | any |
| Supply voltage: | 4.5 ... 35 V DC | Solderable and wash proof versions: | HK 46.80/HK 47.80 |
| Residual ripple: | < 1 % | Protection according to EN 60529: | IP 66 at HK46.80/HK 47.80 IP 66 (only front) at HK46.20/HK 47.20 |
| Current consumption: | < 1,5 mA (average) | Conforms to CE: | EN 61000-6-2 |
| Power consumption: | at $U_B = 5$ V DC typ. 82 mW at $U_B = 12$ V DC typ. 135 mW at $U_B = 24$ V DC typ. 135 mW max. 170 mW (count impulse every 36 s with an impulse duration of 32 ms) | requirements acc. to: | EN 55011 class B |
| Accuracy: | 22.5 ppm at 20 °C | Housing: | PC transparent; HK 47.80 |
| | | Weight: | 13 ... 15 g |
| | | Options for: | |
| | | HK 4X.20, 4X.80: | flat pin 0.8 x 2.8 mm and push-on connectors |
| | | HK46.20/HK 47.20: | solder pins \varnothing 0.64 mm |

Dimensions:

HK46.20/HK 47.20



HK46.80/HK 47.80



Order code:

| | HK 46.20 Art.-No. | HK 47.20 Art.-No. |
|-----------------|----------------------|----------------------|
| 4,5 ... 35 V DC | 3.050.200.383 | 3.060.200.383 |

| | HK 46.80 Art.-No. | HK 47.80 Art.-No. |
|-----------------|----------------------|----------------------|
| 4,5 ... 35 V DC | 3.050.800.383 | 3.060.800.383 |