

Type series H 37



- 7- or 8-digit hour meter
- Without reset
- High shock resistance
- small dimensions
- magnified figures
- Protection IP 65 (front)
- Data retention if power is lost
- Long service life
- Built in counter (H37.4)
- UL-approved

Applications

general counting, service interval for measurement systems (respiratory ventilators, oxygen machines, dialysis machines), small appliances, UV lamps, display panels in cars.

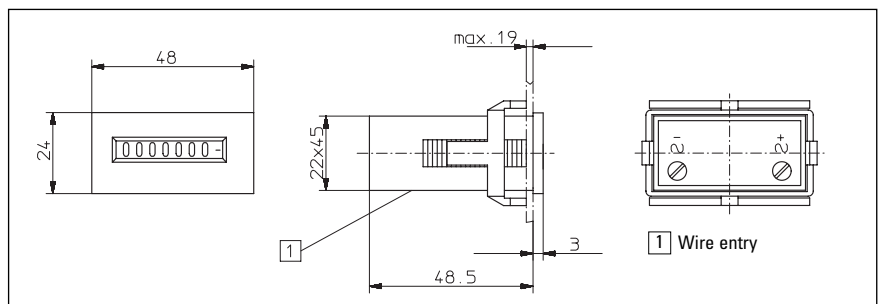
Technical data:

Electrical connection:	Screw terminal, tightening torque max 0,8 Nm
Power consumption:	10 ... 30 V DC: appr. 500 mW 36 ... 80 V DC: appr. 900 mW 100 ... 130 V DC: appr. 750 mW 20 ... 30 V AC, 50 Hz: appr. 0.3 VA 42 ... 48 V AC , 50 Hz appr. 0.25 VA 100 ... 130 V AC , 50 Hz appr. 0.6 VA 187 ... 264 V AC , 50Hz appr. 1.2 VA
Rated voltages:	20 ... 30/42 ... 48/100 ... 130/187 ... 264 V AC 50 or 60 Hz, 10 ... 30/36 ... 80/100 ... 130 V DC
On time:	100 %
Display:	7 at AC: 99999.99 8 at DC: 999999.99
Accuracy:	AC: Supply frequency + 30 ms DC: < 0.003 % (24 h)
Count mode:	adding
Height of figures:	4 mm
Colour of figures:	white and red on black
Reset:	no
Ambient temperature:	-10 ... +50 °C
Mounting position:	any
Protection:	IP 65 (front-side, built in)
Housing:	Plastic , IP 65 are sealed

Weight:	
H 37 appr.	50 g
Slip on bezel 37.1	6 g
Slip on bezel 37.2	2g
Options:	1. Colour of housing: grey Art-No. 3.130.X50.XXX 2. Electrical connection: a) Flat pins 0.8 x 6,3 mm Art-No.: 3.24X.20X.XXX.011 b) Screw terminal with terminal cover Art-No.: 3.24X.20X.XXX.456

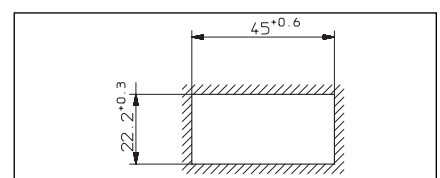
Accessories:	
Slip on bezel 37.1	black: Art-No.: T008.161 grey: Art-No.: T008.160
Slip on bezel 37.2	black: Art-No.: T008.165 grey: Art-No.: T008.164
Terminal cover KA37	2 pcs required per counter Art-No.: T051.687
Seal:	Art-No.: N511015 for H 37.2 and H 37.4 Art-No.: N511029 for H 37 and H 37.5
Approvals:	UL for USA and Canada E128604

H 37

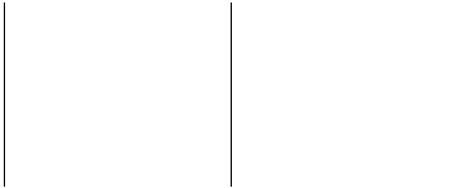
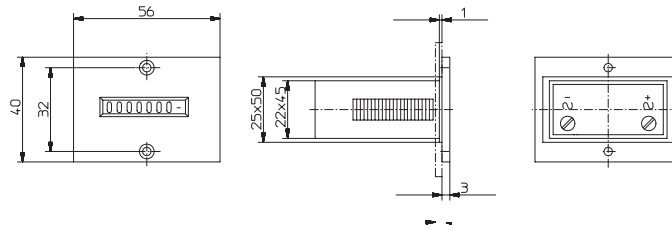


Voltage	Art-No. (AC), 50 Hz	Art-No. (AC), 60 Hz	Art-No. (V DC)
10 ... 30			3.240.201.351
20 ... 30	3.240.201.071	3.240.201.081	
36 ... 80			3.240.201.353
42 ... 48	3.240.201.072	3.240.201.082	
100 ... 130	3.240.201.074	3.240.201.084	3.240.201.381
187 ... 264	3.240.201.075	3.240.201.085	

Panel cut-out

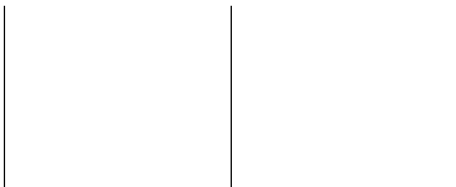


Time meter



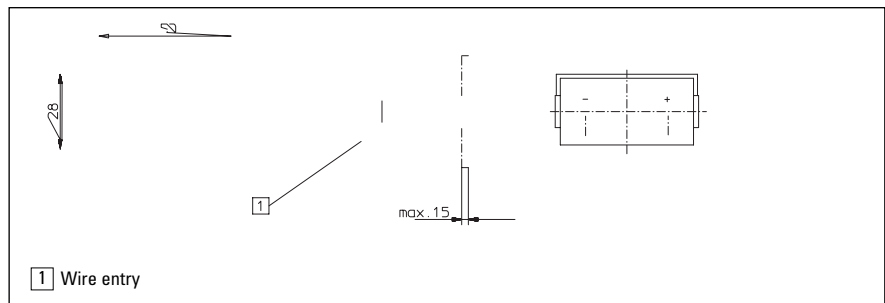
H3

Wire entry



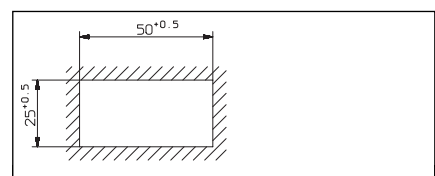
Panel cut-out

H 37.4

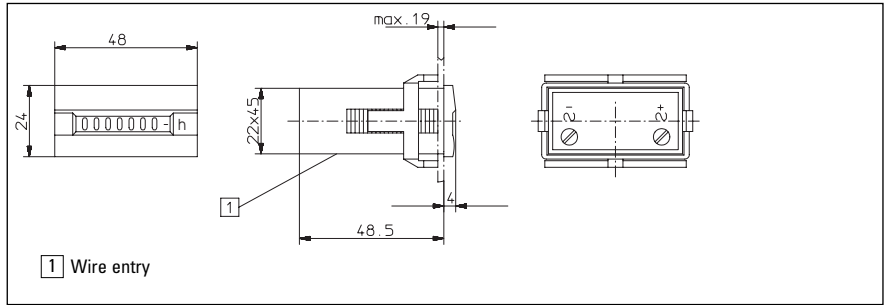


Voltage	Art-No. (AC), 50 Hz	Art-No. (AC), 60 Hz	Art-No.(V DC)
10 ... 30			3.244.201.351
20 ... 30	3.244.201.071	3.244.201.081	
36 ... 80			3.244.201.353
42 ... 48	3.244.201.072	3.244.201.082	
100 ... 130	3.244.201.074	3.244.201.084	3.244.201.381
187 ... 264	3.244.201.075	3.244.201.085	
10 ... 60			3.242.201.351
20 ... 60	3.242.201.071	3.242.201.081	
36 ... 680			3.242.201.353
42 ... 648	3.242.201.072	3.242.201.082	
100 ... 610	3.242.201.074	3.242.201.084	3.242.201.381
187 ... 6264	3.242.201.075	3.242.201.085	

Panel cut-out



H 37.5



Voltage	Art-No. (AC), 50 Hz	Art-No. (AC), 60 Hz	Art-No. (V DC)
10 ... 30			3.245.201.351
20 ... 30	3.245.201.071	3.245.201.081	
36 ... 80			3.245.201.353
42 ...	3.245.201.072	3.245.201.082	
100 ... 130	3.245.201.074	3.245.201.084	3.245.201.381
187 ... 264	3.245.201.075	3.245.201.085	

Panel cut-out

