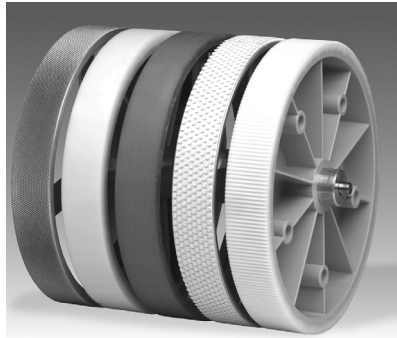


Measuring wheels



- Measuring wheels are utilized in combination with encoders to measure material in the wood, paper, metal, textile and plastic industry.
- Various diameters, designed for use with Kübler encoders, available for metric and imperial systems.
- When selecting a measuring wheel, the first consideration is the type of material to be measured as this serves as the basis for determining the surface finish or coating of the measuring wheel.

Surface of the measured material:

Surface of the measured material:	Recommended profile no.
Plastic e.g. PVC, PE, ...)	4, 5
Paper	4, 5
Cardboard	1, 4, 5
Wood	1, 4, 5
Textile	6, 9, 1
Bare metals	6
Varnished surfaces	6
Wire	5

Measuring wheels on stock:

8.0000.3211.0004	8.0000.3542.0010
8.0000.3211.0006	8.0000.3542.0012
8.0000.3211.0010	8.0000.3552.0010
8.0000.3241.0006	8.0000.3552.0012
8.0000.3211.0010	8.0000.3562.0007
8.0000.3291.0004	8.0000.3562.0010
8.0000.3291.0006	8.0000.3592.0006
8.0000.3291.0010	8.0000.3592.0010
8.0000.3512.0010	8.0000.3592.0012
8.0000.3542.0007	8.0000.3751.0010

Measuring wheels for metric system:

Measuring wheel	Profile	Coating	Coating hardness	Standard bore [mm] ¹⁾	Measuring width [mm]	Material of wheel body	Weight (approx.) [g]	Wheel No.
0.2 m ø 6,37 cm	1	diamond knurl		6	12	aluminum	40	211
	4	plastic (Hytrel), smooth	85 ... 90	4/6/10	12	plastic	35	241
	9	plastic (Hytrel), corrugated	85 ... 90	4/6/10	12	plastic	35	291
0.5 m ø 15,92 cm	1	diamond knurl		10	25	aluminum	350	512
	4	plastic (Hytrel), smooth	85 ... 90	7/10	25	plastic	260	542
	5	plastic (Vulkollan), smooth	85 ... 90	10	25	aluminum	320	552
	6	tufted rubber		10	25	aluminum	320	562
	9	plastic (Hytrel), corrugated	85 ... 90	7/10	25	plastic	260	592

Measuring wheels for imperial system:

Measuring wheel	Profile	Coating	Coating hardness	Standard bore [mm] ¹⁾	Measuring width [mm]	Material of wheel body	Weight (approx.) [g]	Wheel No.
1 foot	1	diamond knurl	70 .. 75	6	9,7	aluminum	110	751

¹⁾ other bore diameters on request

Please note:

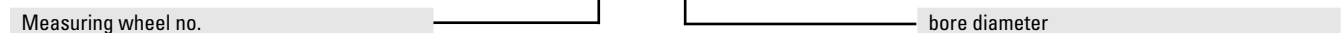
If a measuring wheel is mounted directly on the shaft of a rotary encoder, the pressure force between the measuring wheel and

measured material should not exceed the radial shaft load listed in the data sheet of the encoder. In addition, the measuring wheels can only be used for in-house pur-

poses which are not subject to the stipulations of the German calibration code.

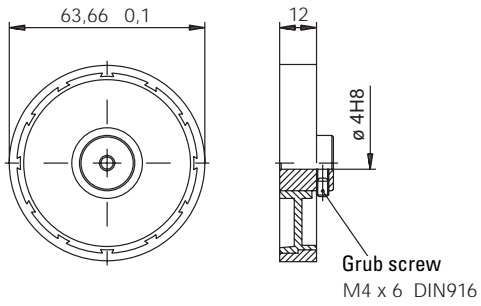
Order code:

8.0000.3XXX.00XX



Measuring wheels

Dimensions:
Type 3241 and 3291



Dimensions:
Type 3542 and 3592

