

# Accessories

## Encoder mounting attachments

Pictures	Example of use	Use	Order code:	Pitch circle diameter	Suitable for encoders	Page
		For applications with high axial play	8.0010.4K00.0000 Long spring element	cylindrical pin 110 mm	A020, A02H 9080, 9081	313
		For applications with reduced mounting space	8.0010.4J00.0000 Short spring element	cylindrical pin 76 mm	A020, A02H, 9080, 9081	313
		For applications with axial and radial play with low dynamics for constant rotary movements	8.0010.4G00.0000 Tether square	A02X: 65 mm 9080: 60 mm 9081: 60 mm 1 screw	A020, A02H, 9080, 9081	313
		For applications with fastening points located on variable pitch circle diameters	8.0010.4E00.0000 Tether arm large	104 mm – 206 mm 1 screw	A020, A02H, 9080, 9081	314
		For applications with axial play and low dynamics	8.0010.4I00.0000 Spring element	3620: 60 mm 3720: 63 mm 5020: 44 mm 58XX: 65 mm Cylindric pin	3620, 3720, 5020, 582X, 587X, 588X	314
		For standard applications with axial and radial play, and high dynamics	8.0010.1602.0000	65 mm	582X, 587X, 588X	315
		For applications with high accuracy requirements	8.0010.4D00.0000	63 mm	582X, 587X, 588X	315
		For applications with axial and radial play, and low dynamics	8.0010.4R00.0000 Flexible fastening arm	80 mm – 170 mm 1 screw	5020, 582X, 587X, 588X	316
		For applications with axial and radial play, and high dynamics	8.0010.40L0.0000 Stator coupling	65 mm 3 screws	5020, 582X, 587X, 588X	316
		For applications with axial and radial play, for constant rotary movements	8.0010.40E0.0000 Flexible fastening arm	65 mm – 91,5 mm 1 screw	5020, 582X, 587X, 588X	316
		For applications with axial and radial play, and low dynamics	8.0010.40M0.0000 Flexible fastening arm	64,5 mm 1 screw	5020, 582X, 587X, 588X	317
		For applications with axial and radial play, and high dynamics	8.0010.4C00.0000 Double-winged stator coupling	46 mm 2 screws	3720, 3620	317
		For applications with limited axial play and low dynamics, and reduced mounting space	8.0010.4H00.0000 Spring element	3620: 42 mm 3720: 40 mm 5020: 58XX: 42 mm Cylindric pin	3620, 3720, 5020, 582X, 587X, 588X	317



## Tether arm large

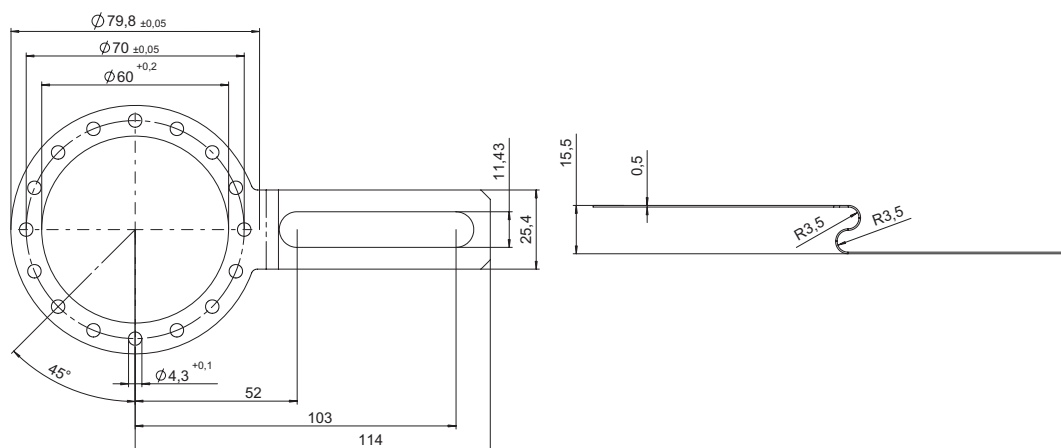


- For encoder types A020 and 908X
- Prevents radial play of the encoder
- The necessary axial play remains unchanged
- Material:
  - Mounting bracket: stainless steel
  - Screws: steel, galvanized

**Delivery includes:**

- Flexed spring device
- 3 screws

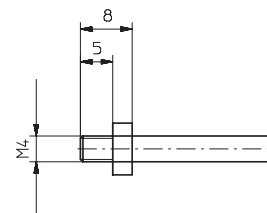
**Order code 8.0010.4E00.0000**



Various mounting variants can be supplied

**Delivery includes:**

1 x cylindrical pin with thread  
Order code 8.0010.4700.0000



1 x mounting bracket  
Order code T.035.009  
incl. screw M3x5  
Order code N.630.305

1 x long torque support slot  
Order code 8.0010.4100.0000

**Complete set:**  
Order code 8.0010.4600.0000

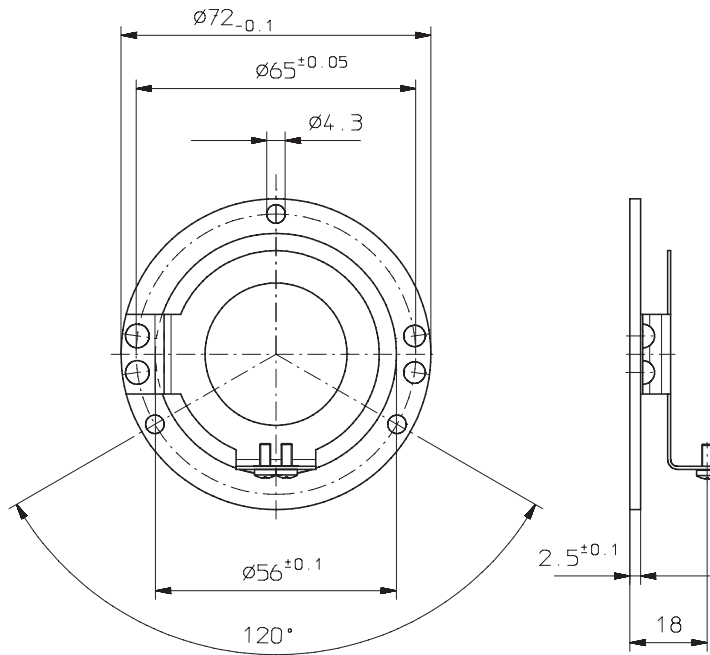
**Mounting attachments**



- Stator coupling for hollow shaft encoders type series 582X or 587X
- Mounting kit for hollow shaft encoder

**Stator coupling for hollow shaft encoders:**

For hollow shaft encoders type series 582X, 587X, 588X, 7030 or 7031  
 Delivered as a kit with 2 fixing screws  
 Order code 8.0010.1602.0000



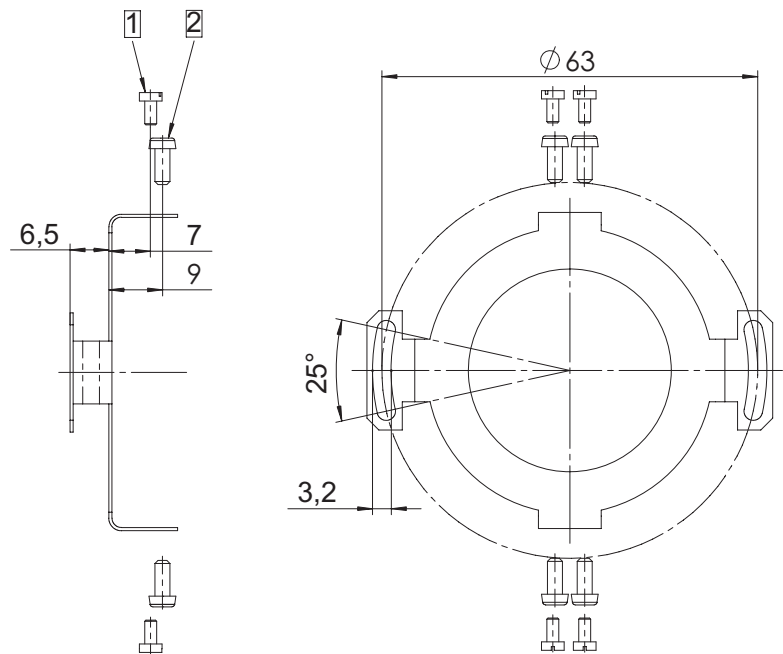
**Double-winged stator coupling**

- For increased torsional strength
- For increased dynamic loads

Kit for hollow shaft encoders type 58XX comprising:

- 1 x stator coupling, double-winged
- 2 x 2 screws

Complete kit:  
 Order code 8.0010.4D00.0000



- 1 Fixing screw for 5882
- 2 Fixing screw for 582X, 587X

# Accessories

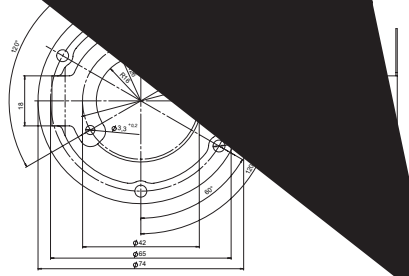
## Encoder mounting

### Mounting attachments



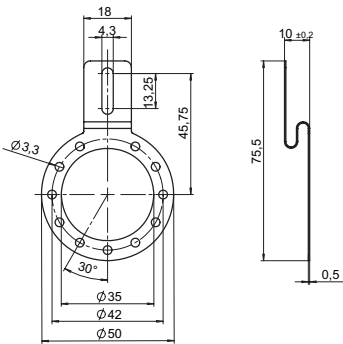
8 (screws)

Suitable for:  
5020, 582X,  
587X, 588X



8.0010.40E0.0000  
Flexible fastening arm

Suitable for:  
5020, 582X,  
587X, 588X

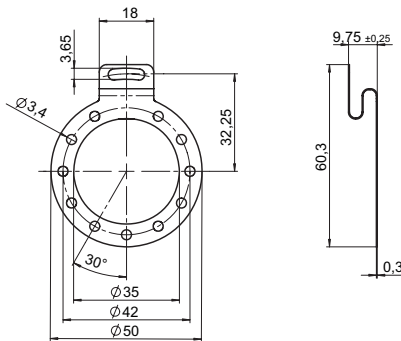


**Mounting attachments**



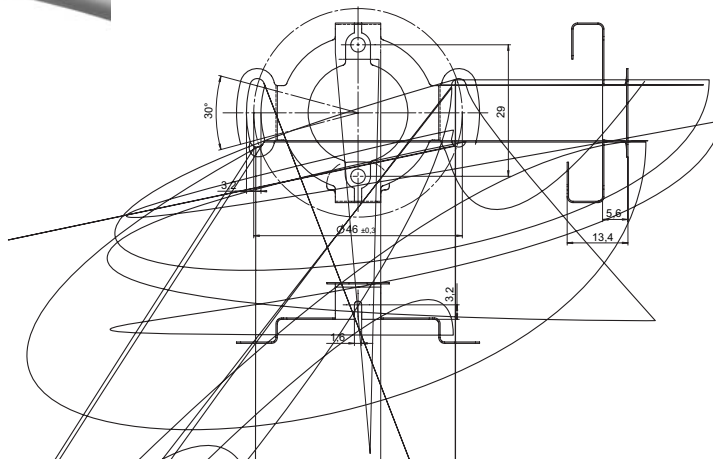
**8.0010.40M0.0000**  
Flexible fastening arm

Suitable for:  
5020, 582X,  
587X, 588X



**8.0010.4C00.0000**  
Double-winged stator coupling

Suitable for:  
3720, 3620



**8.0010.4H00.0000**  
Spring element

Suitable for:  
3620, 3720,  
5020, 582X,  
587X, 588X

