

Power Rocker Switches

DESCRIPTION

Issued 02/04

1654929

- Full line of single or double-pole power rocker switches for three different industry compatible panel cut-out sizes



Series PRE
19.4 [.76] x 22.2 [.87]
Panel Cut-out



Series PRF
22.2 [.87] x 30.2 [1.19]
Panel Cut-out



Series PRG
11.2 [.44] x 30.2 [1.19]
Panel Cut-out

APPLICATIONS

- Vacuums
- Power Tools
- Floor Care Equipment
- Small Appliances
- Lighting
- Saunas
- Instrumentation
- Medical Equipment
- Lawn Equipment
- Power Strips
- Ranges
- Vent Hoods
- Office Equipment
- Welding Equipment
- Industrial Control Panels
- Industrial Machinery
- Industrial HVAC

ELECTRICAL

- Current:
 - PRF Series Double Pole and PRG Series:**
16A@125 VAC
10A@250 VAC
 - PRE Series Double Pole:**
10A@125 VAC
6A@250 VAC
- Inrush Current: up to 80A
- Contact Resistance (initial): <50m Ohms
- Dielectric Strength (initial): >1500 VAC, 1 min.
- Insulation Resistance (initial): >100Mohms min.
- Electrical Life Endurance: >10.000

MECHANICAL

- Operating Life Endurance: up to >100.000 cycles

MATERIALS

- Housing: Nylon 6/6 UL 94V-2
- Rocker: Nylon 6/6 UL 94V-2 or Polycarbonate UL 94V-2
- Contact: Silver-tin Oxide
- Terminals, Active contactor: Silver plated copper alloy
- Plunger: Nickel plated copper alloy
- Spring: Steel Wire

STANDARDS & SPECS

- UL, CSA, VDE, ENEC

FOR MORE INFORMATION

Technical Support

Contact your local Tyco Electronics Support / Sales Office
Internet: <http://www.tycoelectronics.com>

new product

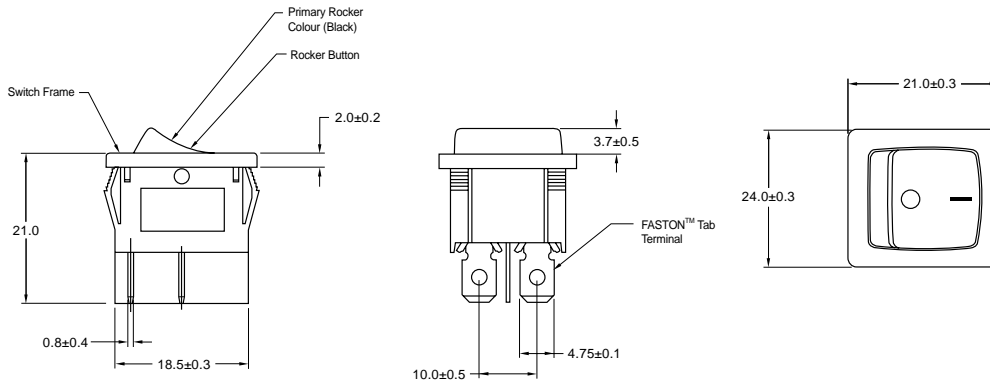
Series PRE

19.4 [.76] x 22.2 [.87] Panel Cutout

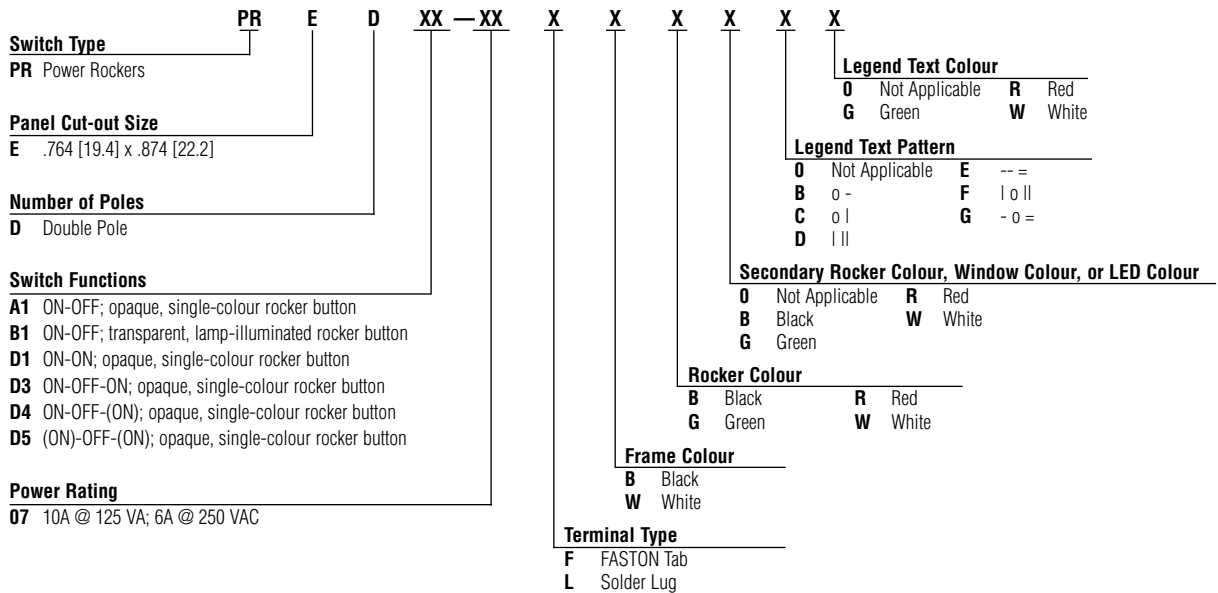
FEATURES & BENEFITS

- Easy to install snap-in mounting
- Dust resistant
- Dual colour rocker option
- Full-illuminated rocker option
- LED or incandescent window illuminated option
- Wide range of marking options and functions available
- Solder lugs or .187 FASTON Tab terminals
- Cost competitive

PRODUCT DIMENSIONS



ALCOSWITCH PART NUMBER



PRODUCT OFFERING

Part Numbers	
Alcoswitch	Tyco Electronics
PRED1-07F-BB000	0-1634200-1
PRED1-07F-BB0BW	0-1634200-2
PRED1-07F-BB0CW	0-1634200-3
PRED1-07L-BB000	0-1634200-4
PRED1-07L-BB0BW	0-1634200-5
PRED1-07L-BB0CW	0-1634200-6
PREDB1-07F-BR000	0-1634200-7
PREDB1-07L-BR000	0-1634200-8
PREDB1-07F-BG000	0-1634200-9
PREDB1-07L-BG000	1-1634200-0
PREDD1-07F-BB000	1-1634200-1
PREDD1-07F-BB0DW	1-1634200-2
PREDD1-07F-BB0EW	1-1634200-3

Part Numbers	
Alcoswitch	Tyco Electronics
PREDD1-07L-BB000	1-1634200-4
PREDD1-07L-BB0DW	1-1634200-5
PREDD1-07L-BB0EW	1-1634200-6
PREDD3-07F-BB0FW	1-1634200-7
PREDD3-07F-BB0GW	1-1634200-8
PREDD3-07L-BB0FW	1-1634200-9
PREDD3-07L-BB0GW	2-1634200-0
PREDD4-07F-BB000	2-1634200-1
PREDD4-07F-BB0FW	2-1634200-2
PREDD4-07F-BB0GW	2-1634200-3
PREDD5-07F-BB000	2-1634200-4
PREDD5-07F-BB0FW	2-1634200-5
PREDD5-07F-BB0GW	2-1634200-6

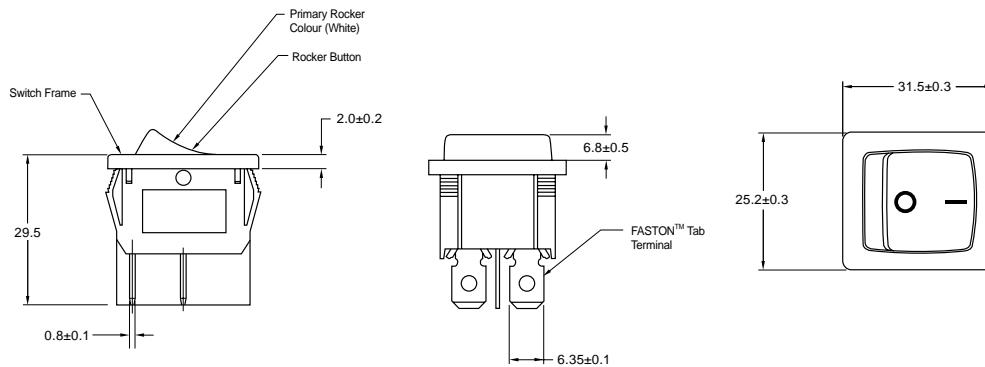
Series PRF

22.2 [.87] x 30.2 [1.19] Panel Cutout

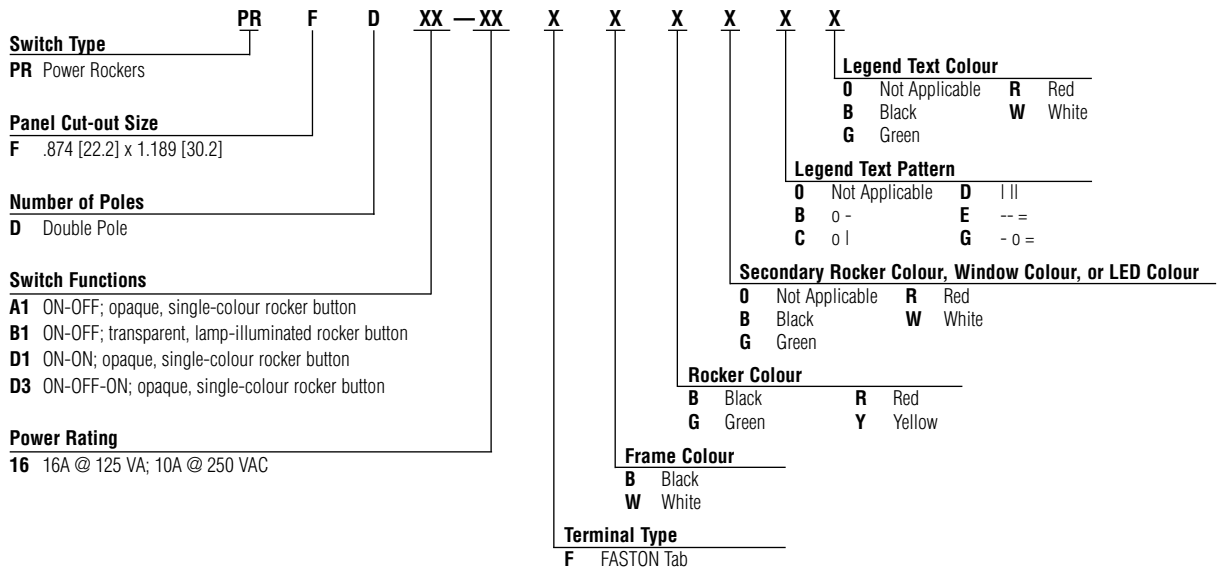
FEATURES & BENEFITS

- Easy to install snap-in mounting
- Dual colour rocker option
- Full-illuminated rocker option
- LED window illuminated option
- Wide range of marking options and functions available
- Solder lugs or .250 FASTON Tab terminals
- Cost competitive

PRODUCT DIMENSIONS



ALCOSWITCH PART NUMBER



PRODUCT OFFERING

Part Numbers	
Alcoswitch	Tyco Electronics
PRFDA1-16F-BB000	0-1634201-1
PRFDA1-16F-BB0BW	0-1634201-2
PRFDA1-16F-BB0CW	0-1634201-3
PRFDB1-16F-BR000	0-1634201-4
PRFDB1-16F-BG000	0-1634201-5
PRFDB1-16F-BY000	0-1634201-6

Part Numbers	
Alcoswitch	Tyco Electronics
PRFDD1-16F-BB000	0-1634201-7
PRFDD1-16F-BB0DW	0-1634201-8
PRFDD1-16F-BB0EW	0-1634201-9
PRFDD3-16F-BB000	1-1634201-0
PRFDD3-16F-BB0EW	1-1634201-1
PRFDD3-16F-BB0GW	1-1634201-2

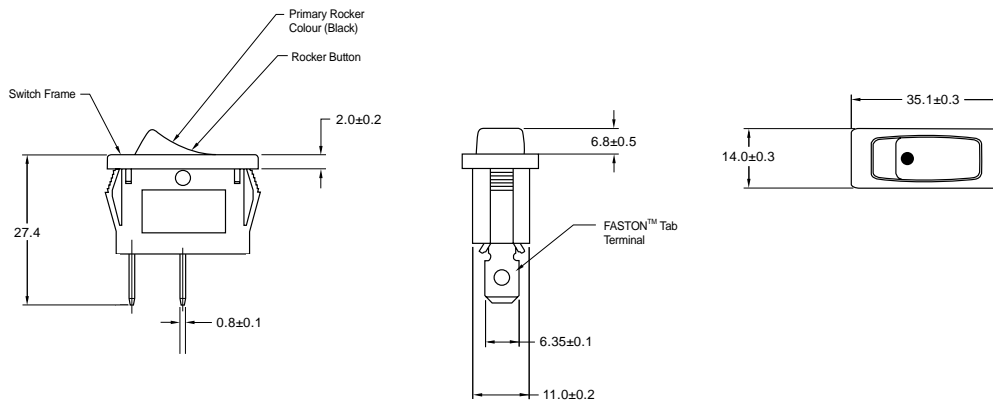
Series PRG

11.2 [.44] x 30.2 [1.19] Panel Cutout

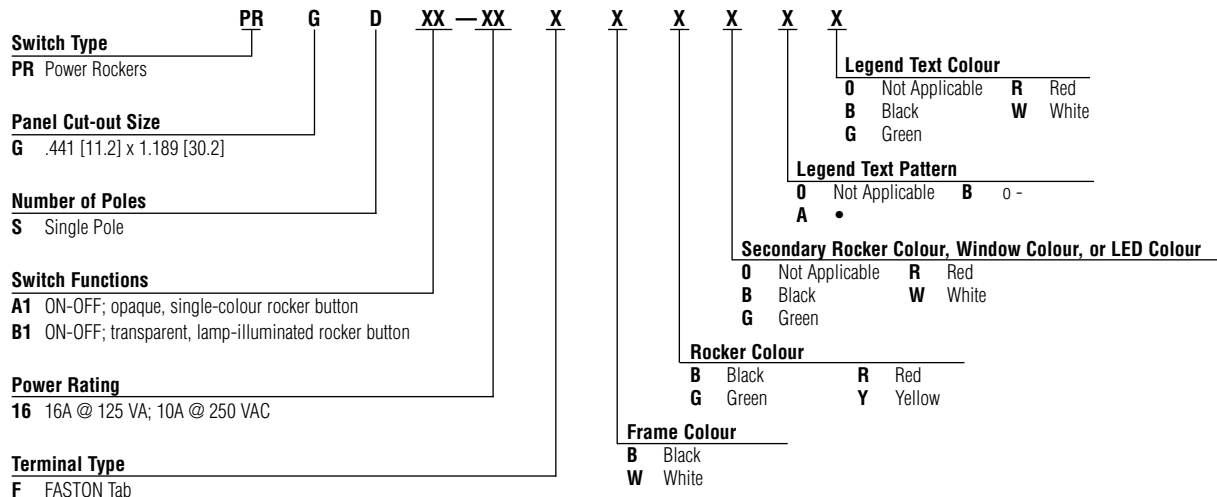
FEATURES & BENEFITS

- Easy to install snap-in mounting
- Full illuminated rocker option
- Wide range of marking options and functions available
- Solder lug or FASTON .250 Tab terminals
- Cost competitive

PRODUCT DIMENSIONS



ALCOSWITCH PART NUMBER



PRODUCT OFFERING

Part Numbers	
Alcoswitch	Tyco Electronics
PRGSB1-16F-BG000	0-1634202-6
PRGSB1-16F-BR000	0-1634202-5
PRGSA1-16F-BR000	0-1634202-4
PRGSA1-16F-BB0BW	0-1634202-3
PRGSA1-16F-BB0AW	0-1634202-2
PRGSA1-16F-BB000	0-1634202-1

tyco
Electronics