

5mm Pitch Low Profile 90° Rising Clamp Terminal

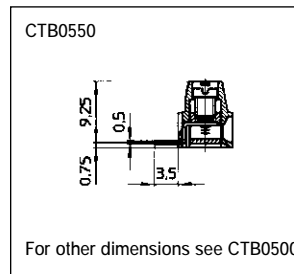
- 2 & 3 pole double interlocking mechanism for increased strength
- 4-12 pole solid block and end stackable
- Moulded in green UL94-V0 flame retardant PA
- Professional rising clamp terminals
- 1.5mm² cable entry
- CE, RoHS, REACH, approved
- Guided pin alignment
- Captive screw



| Type No. | Poles | Length |
|------------|-------|--------|
| CTB0550/2 | 2 | 10mm |
| CTB0550/3 | 3 | 15mm |
| CTB0550/4 | 4 | 20mm |
| CTB0550/5 | 5 | 25mm |
| CTB0550/6 | 6 | 30mm |
| CTB0550/7 | 7 | 35mm |
| CTB0550/8 | 8 | 40mm |
| CTB0550/9 | 9 | 45mm |
| CTB0550/10 | 10 | 50mm |
| CTB0550/11 | 11 | 55mm |
| CTB0550/12 | 12 | 60mm |

Specification

| | |
|---------------------------|--|
| Rating | 14A/250V, UL=14A, CUL=14A. IMQ=14A, VDE=14A |
| Dielectric strength | ≥2.5kV |
| Impulse withstand voltage | 4kV |
| Working temperature | 110°C |
| Moulding | UL94-V0 flame retardant PA |
| Pin/terminal | Tinned, nickel plated brass |
| Wire clamp | Nickel plated brass |
| Screw/torque | M3 steel, zinc colour plated/0.5Nm |
| Recommended PCB hole size | ø1.3mm |

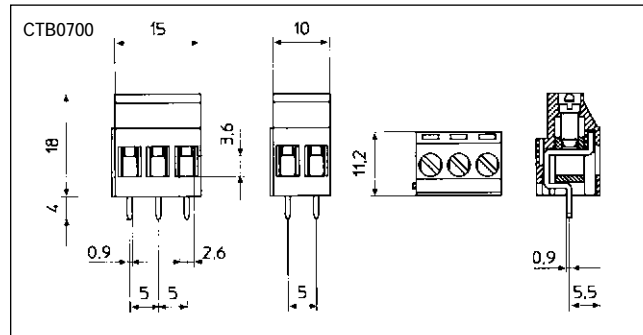


5mm Pitch High Current Rising Clamp Terminal

- 2 & 3 pole double interlocking mechanism for increased strength
- 4-12 pole pre-assembled
- Moulded in green UL94-V0 flame retardant PA
- Professional rising clamp terminals
- 4mm² cable entry
- CE, RoHS, REACH, approved
- Guided pin alignment
- Captive screw



| Type No. | Poles | Length |
|------------|-------|--------|
| CTB0700/2 | 2 | 10mm |
| CTB0700/3 | 3 | 15mm |
| CTB0700/4 | 4 | 20mm |
| CTB0700/5 | 5 | 25mm |
| CTB0700/6 | 6 | 30mm |
| CTB0700/7 | 7 | 35mm |
| CTB0700/8 | 8 | 40mm |
| CTB0700/9 | 9 | 45mm |
| CTB0700/10 | 10 | 50mm |
| CTB0700/11 | 11 | 55mm |
| CTB0700/12 | 12 | 60mm |



Specification

| | |
|---------------------------|--|
| Rating | 24A/320V, UL=16A, CUL=16A. IMQ=24A, VDE=24A |
| Dielectric strength | 3kV |
| Impulse withstand voltage | 4kV |
| Working temperature | 110°C |
| Moulding | UL94-V0 flame retardant PA |
| Pin/terminal | Tinned, nickel plated brass |
| Wire clamp | Nickel plated brass |
| Screw/torque | M3 steel, zinc colour plated/0.5Nm |
| Recommended PCB hole size | ø1.3mm |