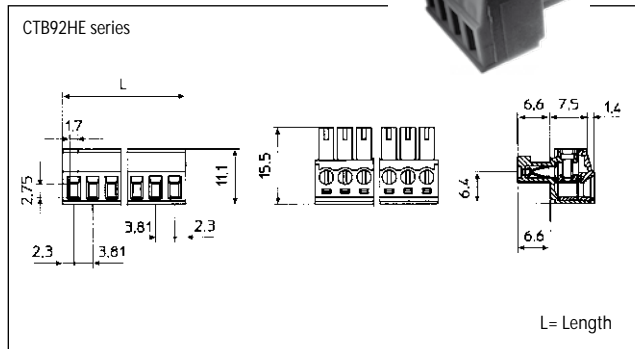


## 3.81mm Pitch Plug-in Rising Clamp Terminal

- 2-20 pole solid block
- Plug in
- Closed headers
- Horizontal female plug style
- Polarised mouldings
- Moulded in green UL94-V0 flame retardant PA
- Professional rising clamp terminals
- 1mm<sup>2</sup> cable entry
- CE, RoHS, approved
- Anti solder wicking
- Captive screws
- Guided pin alignment

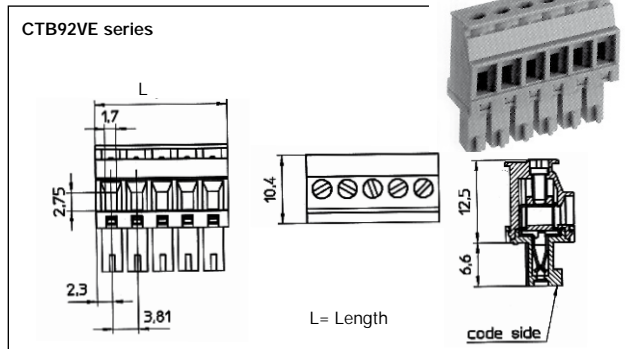
Rating	10A/200V, UL=8A, CUL=8A, IMQ=10A
Dielectric strength	≥1.25kV
Impulse withstand voltage	2.5kV
Working temperature	110°C
Moulding	UL94-V0 flame retardant PA
Pin/terminal	Tinned phosphor bronze
Rising clamp	Nickel copper flash brass
Screw/torque	M2 steel, zinc, colour plated/0.3Nm
Recommended PCB hole size	ø1.2mm

## Female connector



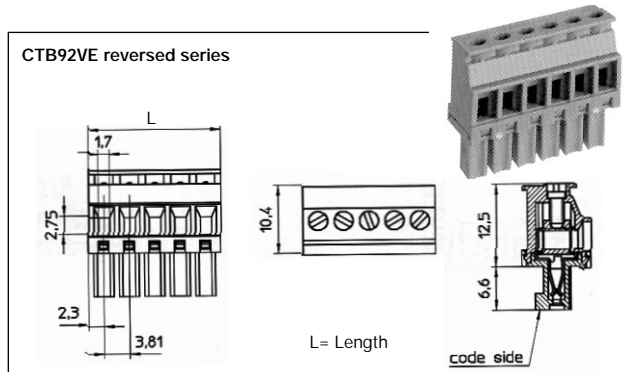
Type No.	Poles	Length	Type No.	Poles	Length
CTB92HE/2	2	8.41mm	CTB92HE/12	12	46.51mm
CTB92HE/3	3	12.22mm	CTB92HE/13	13	50.32mm
CTB92HE/4	4	16.03mm	CTB92HE/14	14	54.13mm
CTB92HE/5	5	19.84mm	CTB92HE/15	15	57.94mm
CTB92HE/6	6	23.65mm	CTB92HE/16	16	61.75mm
CTB92HE/7	7	27.46mm	CTB92HE/17	17	65.56mm
CTB92HE/8	8	31.27mm	CTB92HE/18	18	69.37mm
CTB92HE/9	9	35.08mm	CTB92HE/19	19	73.18mm
CTB92HE/10	10	35.89mm	CTB92HE/20	20	76.99mm
CTB92HE/11	11	42.70mm			

## Vertical Female connector (standard)



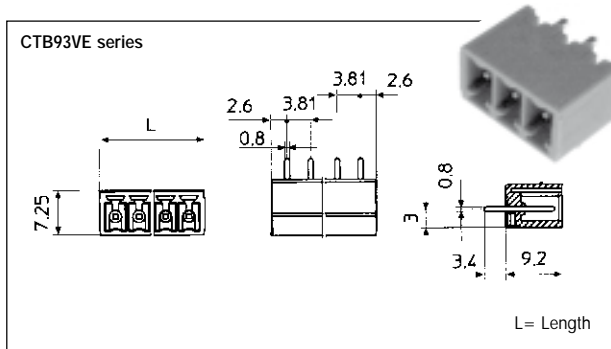
Type No.	Poles	Length	Type No.	Poles	Length
CTB92VE/2S	2	8.41mm	CTB92VE/12S	12	46.51mm
CTB92VE/3S	3	12.22mm	CTB92VE/13S	13	50.32mm
CTB92VE/4S	4	16.03mm	CTB92VE/14S	14	54.13mm
CTB92VE/5S	5	19.84mm	CTB92VE/15S	15	57.94mm
CTB92VE/6S	6	23.65mm	CTB92VE/16S	16	61.75mm
CTB92VE/7S	7	27.46mm	CTB92VE/17S	17	65.56mm
CTB92VE/8S	8	31.27mm	CTB92VE/18S	18	69.37mm
CTB92VE/9S	9	35.08mm	CTB92VE/19S	19	73.18mm
CTB92VE/10S	10	35.89mm	CTB92VE/20S	20	76.99mm
CTB92VE/11S	11	42.70mm			

## Vertical Female connector (reversed)



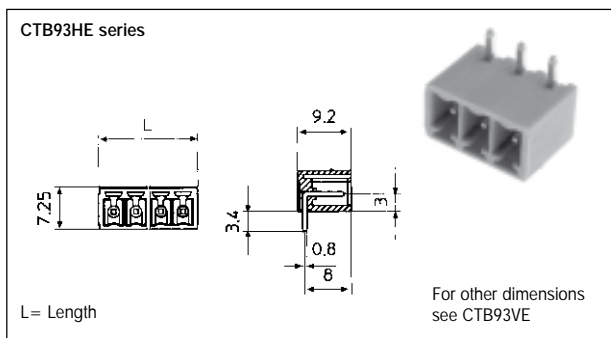
Type No.	Poles	Length	Type No.	Poles	Length
CTB92VE/2R	2	8.41mm	CTB92VE/12R	12	46.51mm
CTB92VE/3R	3	12.22mm	CTB92VE/13R	13	50.32mm
CTB92VE/4R	4	16.03mm	CTB92VE/14R	14	54.13mm
CTB92VE/5R	5	19.84mm	CTB92VE/15R	15	57.94mm
CTB92VE/6R	6	23.65mm	CTB92VE/16R	16	61.75mm
CTB92VE/7R	7	27.46mm	CTB92VE/17R	17	65.56mm
CTB92VE/8R	8	31.27mm	CTB92VE/18R	18	69.37mm
CTB92VE/9R	9	35.08mm	CTB92VE/19R	19	73.18mm
CTB92VE/10R	10	35.89mm	CTB92VE/20R	20	76.99mm
CTB92VE/11R	11	42.70mm			

## PCB mounting male vertical (closed ended)



Type No.	Poles	Length	Type No.	Poles	Length
CTB93VE/2	2	9.01mm	CTB93V/12	12	47.11mm
CTB93VE/3	3	12.82mm	CTB93V/13	13	50.92mm
CTB93VE/4	4	16.63mm	CTB93V/14	14	54.73mm
CTB93VE/5	5	20.44mm	CTB93VE/15	15	58.54mm
CTB93VE/6	6	24.25mm	CTB93VE/16	16	62.35mm
CTB93VE/7	7	28.06mm	CTB93VE/17	17	66.16mm
CTB93VE/8	8	31.87mm	CTB93VE/18	18	69.97mm
CTB93VE/9	9	35.68mm	CTB93VE/19	19	73.78mm
CTB93VE/10	10	39.49mm	CTB93VE/20	20	77.59mm
CTB93VE/11	11	43.30mm			

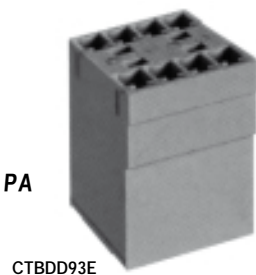
## PCB mounting male horizontal (closed ended)



Type No.	Poles	Length	Type No.	Poles	Length
CTB93HE/2	2	9.01mm	CTB93HE/12	12	47.11mm
CTB93HE/3	3	12.82mm	CTB93HE/13	13	50.92mm
CTB93HE/4	4	16.63mm	CTB93HE/14	14	54.73mm
CTB93HE/5	5	20.44mm	CTB93HE/15	15	58.54mm
CTB93HE/6	6	24.25mm	CTB93HE/16	16	62.35mm
CTB93HE/7	7	28.06mm	CTB93HE/17	17	66.16mm
CTB93HE/8	8	31.87mm	CTB93HE/18	18	69.97mm
CTB93HE/9	9	35.68mm	CTB93HE/19	19	73.78mm
CTB93HE/10	10	39.49mm	CTB93HE/20	20	77.59mm
CTB93HE/11	11	43.30mm			

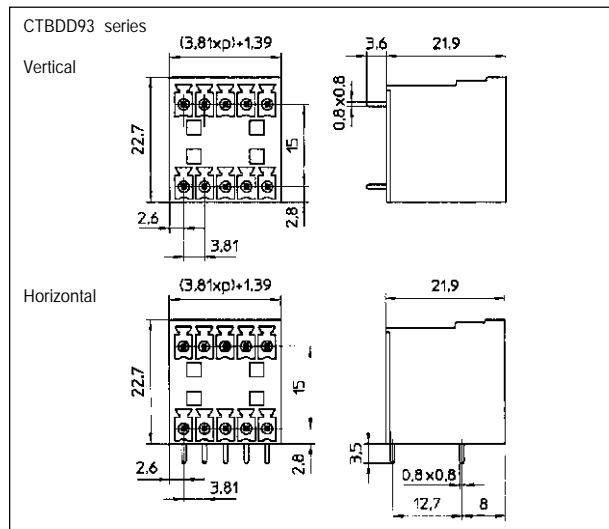
## 3.81mm Pitch PCB Mounting Male Double Decker

- Space saving
- Double Deck
- 4-24 pole solid block
- Closed ends
- Coding keys available
- Moulded from green flame retardant UL94 - V0 PA



3.81 pitch Vertical		
Type No.	Poles	Length
CTBDD93VE/2	4	9.01mm
CTBDD93VE/3	6	12.82mm
CTBDD93VE/4	8	16.63mm
CTBDD93VE/5	10	20.44mm
CTBDD93VE/6	12	24.25mm
CTBDD93VE/7	14	28.06mm
CTBDD93VE/8	16	31.87mm
CTBDD93VE/9	18	35.68mm
CTBDD93VE/10	20	39.49mm
CTBDD93VE/11	22	43.30mm
CTBDD93VE/12	24	47.11mm

3.81 pitch Horizontal		
Type No.	Poles	Length
CTBDD93HE/2	4	9.01mm
CTBDD93HE/3	6	12.82mm
CTBDD93HE/4	8	16.63mm
CTBDD93HE/5	10	20.44mm
CTBDD93HE/6	12	24.25mm
CTBDD93HE/7	14	28.06mm
CTBDD93HE/8	16	31.87mm
CTBDD93HE/9	18	35.68mm
CTBDD93HE/10	20	39.49mm
CTBDD93HE/11	22	43.30mm
CTBDD93HE/12	24	47.11mm



Rating	10A/200V, (UL 8A/300V)
Dielectric strength	≥1.25kV
Impulse withstand voltage	2.5kV
Working temperature	110°C
Moulding	UL94-V0 flame retardant PA
Pin/terminal	Tinned nickel plated brass
Recommended PCB hole size	ø1.4mm