

Waldmann **W**
ENGINEER OF LIGHT.

EN

RING LED | MAGNIFIER LUMINAIRE





reddot design award
honourable mention 2009

RING LED. MORE LIGHT PER WATT.

The RING LED is the lighting solution for the precise examination of parts in numerous fields of application—from mechanical engineering to research and development.

The use of six innovative LEDs instead of a conventional fluorescent tube provides critical added value: 4 times more light per watt, thus considerably lower energy consumption.

In addition, the LEDs have a minimum service life of 50,000 operating hours. This means: 6 years of continuous light and 100% brightness level without maintenance costs.

The lamp cover specially developed by Waldmann with the integrated high-tech optics focuses the light on the work surface. Loss of lighting due to diffusion is therefore minimized and the light is optimally used.



HIGHER OPTICAL QUALITY PER DIOPTR.

The RING LED is equipped with a distortion-free Eschenbach plastic lens with a diameter of 70 mm and optical power of 5.3 diopter. As a result, the item to be examined is magnified by a factor of 2.3.

The hard coating of the lens effectively prevents scratches. The high-quality protective lens casing with quick-release fastener provides added safety. When not in use, danger of fire caused by incident sun light is therefore prevented.

Speaking of safety: The flexible hose reliably holds the luminaire head in the selected position even after many years of use. In durability tests, no material fatigue was found even after more than 20,000 movements.

MORE WELL-ENGINEERED DETAILS.



For all workplaces

The adaptive pivot of the RING LED allows countless individual connecting options at the workplace. The plastic base can simply be mounted to the countertop with only four screws.

In addition, Waldmann offers a selection of different table clamps.

For all continents

The RING LED will work everywhere—in Europe, Asia, as well as in the USA. The attached plug-in power supply unit covers the voltage range of 100-240 Volt, 50/60 Hz.

The adapter for the USA is included in the delivery. Adapters for other countries are available on request.



For all areas of application

The RING LED is nearly indestructible. The luminaire head, tubular section, and flexible hose are made of robust metal. The LED and circuit board are resistant to vibrations. And the closed luminaire head additionally allows simple and fast cleaning.

Important for everyone: ergonomics

The soft-touch sensor developed by Waldmann is integrated in the luminaire head and therefore easy to reach. Soft touches switch the magnifier luminaire on and off.



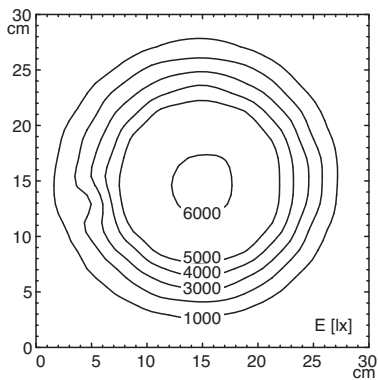
For all esthetes

The design of the RING LED is appealing and functional. The luminaire head impresses with a height of only 13 mm.

Thanks to the Eschenbach plastic lens, the weight is minimal. As a result, the risk of any annoying sagging of the magnifier is eliminated right from the start.

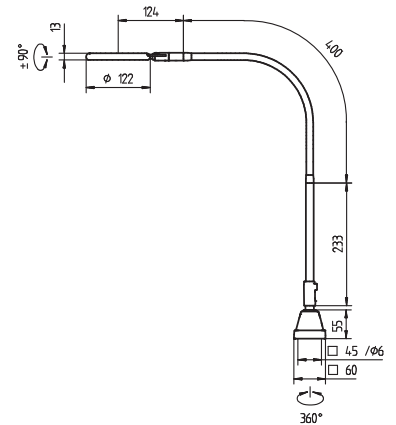
TECHNICAL DATA

RING LED



Light distribution (measuring distance 15 cm)

Item no. 112 885 000
 Description RLLQ 6
 Connected load 100-240 V, 50/60 Hz
 Output 6 Watt
 Cable 2.3 m, plug transformer
 Protection class II
 Lens (dimension) Diameter 72 mm
 Lens (diopter) 5.3



ACCESSORIES



DESCRIPTION	SPAN	COLOR	MODEL	ORDER NO.
	in mm			
Table clamp	0 – 45	black	TK 1/45	190 008 019
	0 – 65	black	TK 1/65	190 007 019
	65 – 135	black	TK 1/135	190 033 019
	95 – 165	black	TK 1/165	190 035 019



Wall bracket	–	black		300 213 018
	–	white		300 213 038

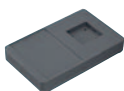


Table base	–	black		190 036 039
	–	light gray		190 036 119

HEADQUARTERS GERMANY

Herbert Waldmann GmbH & Co. KG
Postfach 50 62
78057 VILLINGEN-SCHWENNINGEN
GERMANY
Telephone +49 7720 601-100
Fax +49 7720 601-290
www.waldmann.com
info@waldmann.com

FRANCE

Waldmann Eclairage S.A.S.
Zone Industrielle
Rue de l'Embranchement
67116 REICHSTETT
FRANCE
Telephone +33 3 88 20 95 88
Fax +33 3 88 20 95 68
www.waldmann.com
info-fr@waldmann.com

ITALY

Waldmann Illuminotecnica S.r.l.
Via della Pace, 18 A
20098 SAN GIULIANO MILANESE (MI)
ITALY
Telephone +39 02 98 24 90 24
Fax +39 02 98 24 63 78
www.waldmann.com
info-it@waldmann.com

THE NETHERLANDS

Waldmann B.V.
Lingewei 19
4004 LK TIEL
THE NETHERLANDS
Telephone +31 344 631019
Fax +31 344 627856
www.waldmann.com
info-nl@waldmann.com

AUSTRIA

Waldmann Lichttechnik Ges.m.b.H.
Gewerbepark Wagram 7
4061 PASCHING/LINZ
AUSTRIA
Telephone +43 7229 67400
Fax +43 7229 67444
www.waldmann.com
info-at@waldmann.com

SWEDEN

Waldmann Ljusteknik AB
Skebokvarnsvägen 370
124 50 BANDHAGEN
SWEDEN
Telephone +46 8 990 350
Fax +46 8 991 609
www.waldmann.se
hk@waldmann.se

SWITZERLAND

Waldmann Lichttechnik GmbH
Benkenstrasse 57
5024 KÜTTIGEN
SWITZERLAND
Telephone +41 62 839 1212
Fax +41 62 839 1299
www.waldmann.com
info-ch@waldmann.com

UK

Waldmann Lighting Ltd.
Holme Well Road
Middleton
LEEDS LS 10 4TQ
WEST YORKSHIRE
UK
Telephone +44 113 2775662
Fax +44 113 2775775
www.waldmann.com
enquiries@waldmannlighting.co.uk

USA

Waldmann Lighting Company
9, W. Century Drive
WHEELING, ILLINOIS 60090
USA
Telephone +1 847 520 1060
Fax +1 847 520 1730
www.waldmannlighting.com
waldmann@waldmannlighting.com

CHINA

Waldmann Lighting Shanghai Pte. Ltd.
Part A, No. Five Normative Workshop
199 Changjian Road, Baoshan
SHANGHAI, P.R.C. 200949
CHINA
Telephone +86 21 5169 1799
Fax +86 21 3385 0032
www.waldmann.com
s.lo@waldmann.com.cn

SINGAPORE

Waldmann Lighting Singapore Pte. Ltd.
168, Jalan Bukit Merah, #04-09B,
Connection One, Tower 3,
SINGAPOUR 150168
SINGAPOUR
Telephone +65 6275 8300
Fax +65 6275 8377
www.waldmann.com
sales@waldmann.com.sg