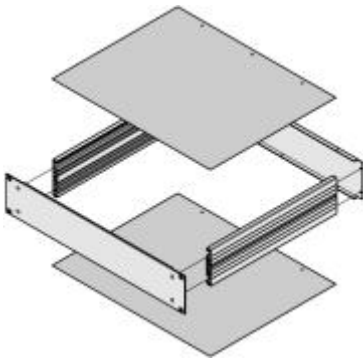


Cover plates

[Print page](#)
**Article number: 30860-502**

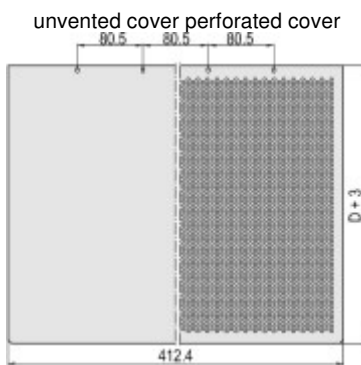
- Cover plates can be used as cover or base plates.
- Unvented

Delivery quantity: in kit form

Item	Qty	Description
1	1	Cover plate, 1 mm aluminium, clear chromated

Technical data:

Depth	Description
280 mm	plain

Further Information:

CAD data in DWG- DXF- and PDF- format

Assembly instructions