




# NEW PERISTALTIC PUMP DESIGNED FOR OEM PG/PB

## GENERAL APPLICATION

Peristaltic pumps specifically conceived for the installation inside all types of industrial dishwashing machines. The series offers a range of products that fully meets customer's needs. Possibility to customize products thanks to the wide range of tubing, connectors, motors and accessories.

	<p style="text-align: center;"><b>PERISTALTIC PUMP: PG MODEL</b></p> <ul style="list-style-type: none"> <li>• Peristaltic pump, without container, with fixed flow rate for detergent and rinse-aid dosage</li> <li>• Flow rates available: 0.4 l/h . 0.7 l/h -1l/h -1.5 l/h - 3 l/h</li> <li>• Power supply: 24-115-230 Vac</li> <li>• Peristaltic tube in Santoprene or Sekobril</li> <li>• Possibility to customize installation kit</li> </ul>
	<p style="text-align: center;"><b>PERISTALTIC PUMP: PB MODEL</b></p> <ul style="list-style-type: none"> <li>• Peristaltic pump without box for detergent and rinse-aid dosage</li> <li>• Power supply: 24-115-230 Vac</li> <li>• Peristaltic tube in Santoprene and Sekobril</li> <li>• Horizontal or vertical mounting with one bracket</li> <li>• Possibility to customize installation kit</li> <li>• 3 versions available: <ul style="list-style-type: none"> <li>I <b>PBM:</b> Fixed flow rate and adjustable dosing time via trimmer. Three different flow rates available: <ul style="list-style-type: none"> <li>a 1.5 l/h and 3 l/h for detergent (@ 0.1 bar)</li> <li>b 0.4 l/h @ 3 bar for rinse aid</li> </ul> </li> <li>II <b>PBR:</b> Fixed flow rate and adjustable dosing time with on/off cycles by means of a trimmer. Three different flow rates available: <ul style="list-style-type: none"> <li>a 1.5 l/h and 3 l/h for detergent (@ 0.1 bar)</li> <li>b 0.4 l/h @ 3 bar for rinse aid</li> </ul> </li> </ul> </li> </ul>
	<p style="text-align: center;"><b>ACCESSORIES</b></p> <p>A wide range of accessories and installation kits to meet needs of clients:</p> <ol style="list-style-type: none"> <li>1. Foot filter</li> <li>2. Injection connector made of AISI (suitable for detergent dosing)</li> <li>3. Injection connector made of PP (suitable for detergent dosing)</li> <li>4. T connector for installation of a non return valve</li> <li>5. Non return valve</li> <li>6. Suction tube made of PVC Crystal</li> <li>7. Delivery tube made of PE for delivery side of rinse-aid pumps</li> </ol>

# NEW PERISTALTIC PUMP DESIGNED FOR OEM PG/PB

**BALL BEARING FOR A LONGER MOTORS AND  
TUBES LIFE (OPTIONAL)**

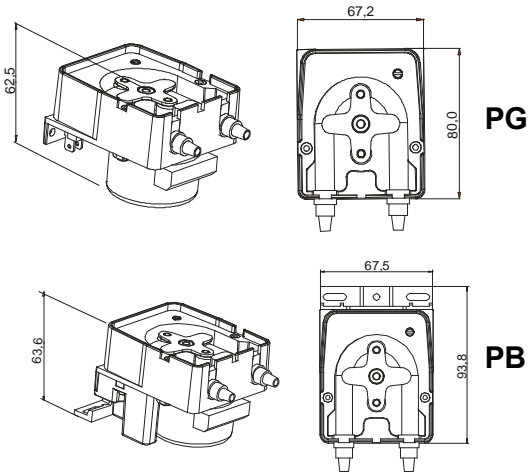
**LAST GENERATION TRIMMER FOR A PRECISE  
DOSING REGULATION (ON PB VERSION ONLY)**

**FASTON FOR WIRING SAFE AND  
EASY**

**SCREWS ON THE FRONT  
LID FOR A HIGHER TUBE  
PROTECTION**

**SMALL DIMENSIONS**

**FULLY COMPATIBLE WITH PREVIOUS VERSIONS**



**PG**



**PB**