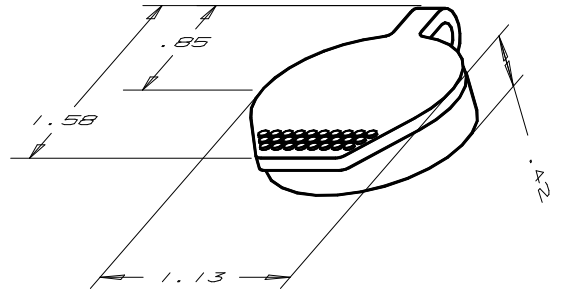
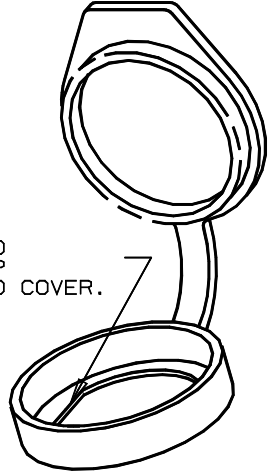
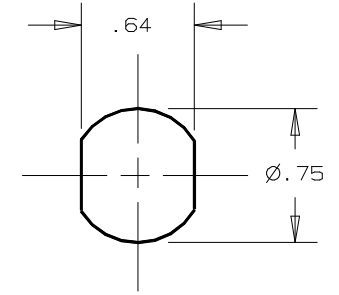


PART NUMBER : 90-2
 MATERIAL : THERMOPLASTIC ELASTOMER,
 BLACK

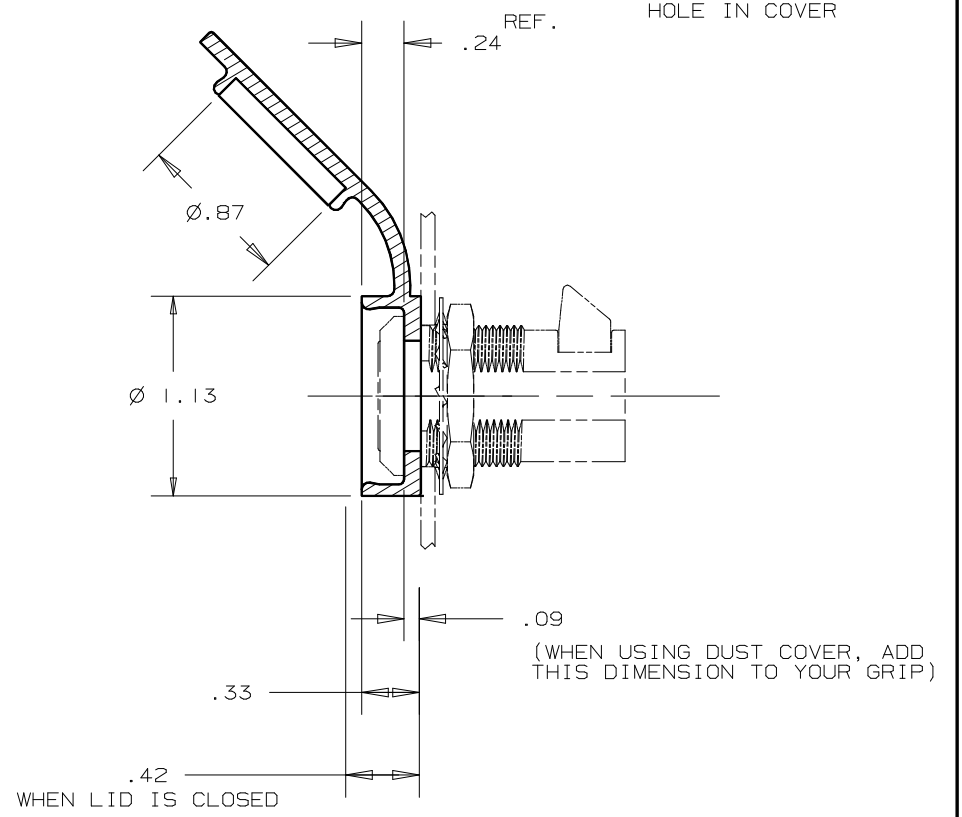
FLATS OF THRU
 HOLE PARALLEL TO
 CONNECTING STRIP
 BETWEEN BASE AND COVER.



SEALING COVER MAY BE USED WITH 93-10-201-10



HOLE IN COVER



FORMAT A 3/88

PROPRIETARY ITEM - EXCEPT FOR USES EXPRESSLY GRANTED IN WRITING,
 INFORMATION DISCLOSED HEREON IS CONFIDENTIAL AND ALL RIGHTS PATENT
 AND OTHERWISE ARE RESERVED BY SOUTHCO, INC.

DRAWING NUMBER

J-90-2