

REV	DATE	DRAWN/CHKD	DESCRIPTION
M	20APR94	JGK	REDRAWN ON CAD & PRN: A3-62
N	25MAY2001	RJB	PRN: P2001-0259
O	24JUL2003	AJH/DLH	PRN: P2003-0629

ASSEMBLY	SLIDE MATERIAL
A3-40-625-XX	TEXTURED ABS

INCHES

ALL DIMENSIONS WITHOUT TOLERANCES ARE FOR REFERENCE ONLY.

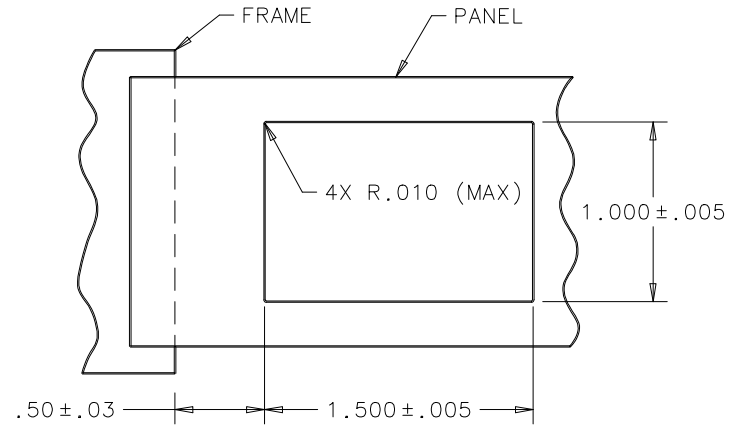
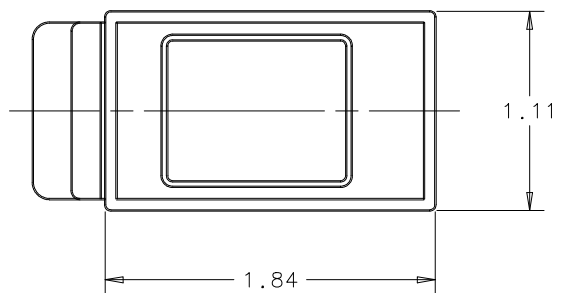
THIRD ANGLE PROJECTION

A PAPER SIZE

NOTES:

- A. INSTALLATION:**
1. PREPARE A BURR-FREE HOLE AS SHOWN.
 2. SLIP FRONT OF LATCH THROUGH THE HOLE AND PUSH FORWARD.
 3. SNAP BACK END OF LATCH INTO POSITION.

- B. SLIDE COLORS (-XX):**
- 03 PEARL GRAY
 - 04 DARK BROWN
 - 09 PEBBLE GRAY (IBM)
 - 11 WHITE
 - 12 BLACK
 - 14 GRAY
 - 15 BEIGE



PANEL PREPARATION

