

REV	DATE	DRAWN/CHKD	DESCRIPTION	PART NUMBER	MATERIAL	FINISH			
A	21FEB2006	MDY/RLR	PRN: P2006-0315	CM-A-08-01	ST801	BLACK			

**INCHES**

TOLERANCES UNLESS OTHERWISE NOTED

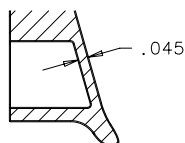
TWO PLACE (.XX) ±.01  
 THREE PLACE (.XXX) ±.005  
 ANGLES ±1°

THIRD ANGLE PROJECTION

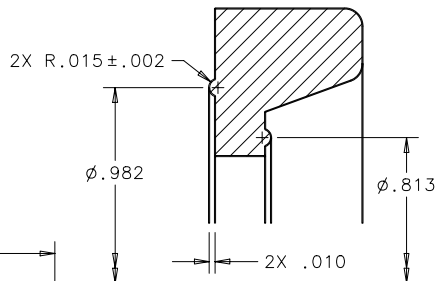
A  
PAPER  
SIZE

**NOTES:**

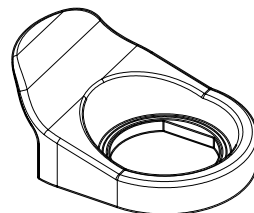
- A. SURFACE FINISH: DULL MATTE FINISH PER SPI/SPE #6.
- B. ALL UNMARKED RADII TO BE R.030



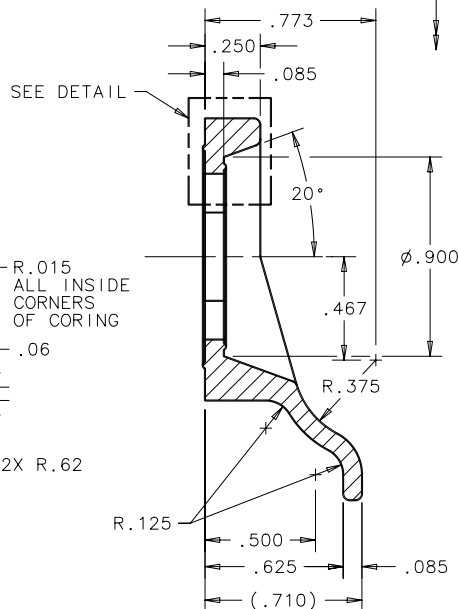
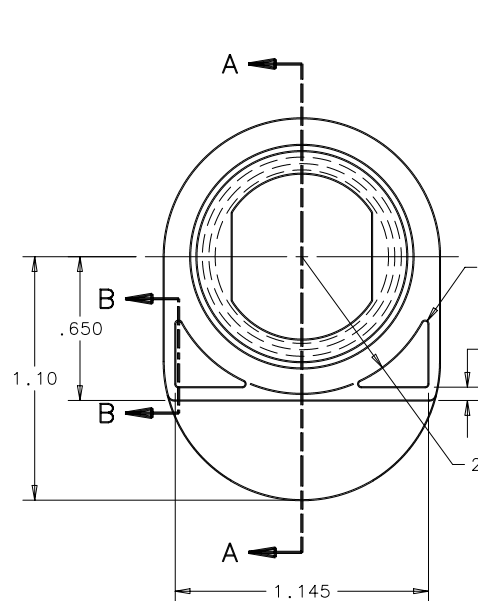
**SECTION B-B**



**DETAIL**  
SCALE 4:1



SCALE 1:1



**SECTION A-A**

