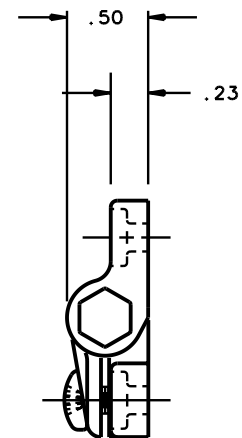
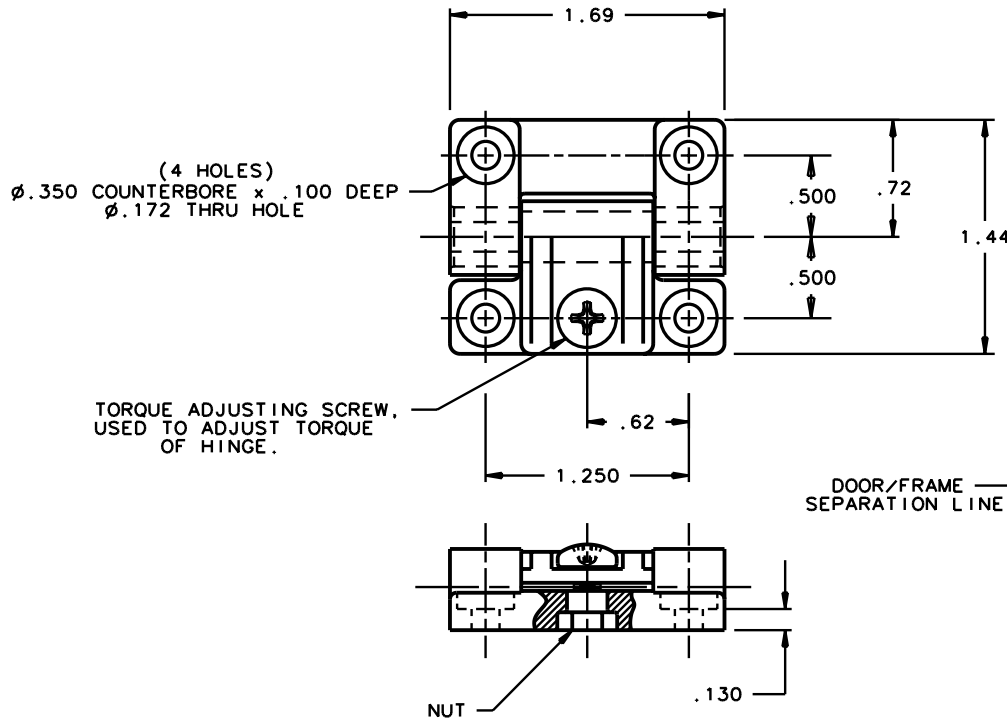


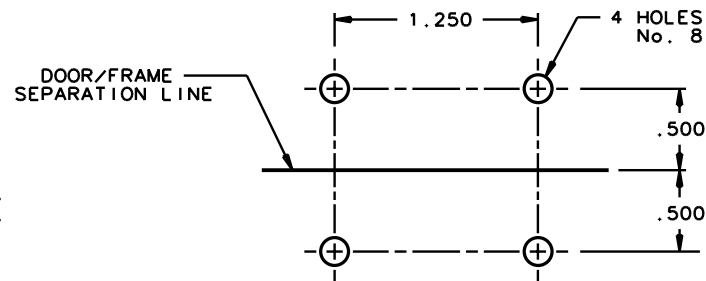
DATE	DRAWN	CHKD	SCALE	DRAWING NUMBER
12/10/81	JHV		FULL	J-E6-10-301-20

REV.	DATE	BY-CHKD	REVISIONS	ITEM	PART No.	MATERIAL	FINISH
R	4/10/91	JAD	REDRAWN ON CAD (PRN:E6-68)	HINGE ASSEMBLY	E6-10-301-20		
S	9-23-91	JAD	PRN: E6-72	ADJUSTABLE LEAF		ACETAL	BLACK
T	25FEB92	GWF/JSS	MOUNTING HOLE WAS .172 ϕ	FIXED LEAF		ACETAL	BLACK
U	12 JAN 93	KPL	PRN: S-1-03	ADJUSTMENT SCREW		STAINLESS STEEL	BLACK
V	22AUG2001	RJB/JSS	PRN: P2001-0388	PIN		POLYCARBONATE	NATURAL
				NUT		STAINLESS STEEL	PASSIVATE

NOTE A. SHIPPED ASSEMBLED, BULK.
FOR HINGE TO BE PACKAGED
ONE PER BAG, ADD SUFFIX
-P TO THE PART NUMBER.



NOTE: SCREW NOT SUPPLIED BY SOUTHCO.



DOOR & FRAME PREPARATION

FORMATA 3/88

PROPRIETARY ITEM - EXCEPT FOR USES EXPRESSLY GRANTED IN WRITING
INFORMATION DISCLOSED HEREON IS CONFIDENTIAL AND ALL RIGHTS PATENT
AND OTHERWISE ARE RESERVED BY SOUTHCO, INC.

PAT. 4,630,333
PAT. 4,490,884
PAT. D 278,309

TOLERANCES UNLESS OTHERWISE NOTED.
DECIMALS
TWO PLACE (.XX) \pm .01
THREE PLACE (.XXX) \pm .005
ANGLES
DEC. \pm 1°

DRAWING NUMBER
J-E6-10-301-20