

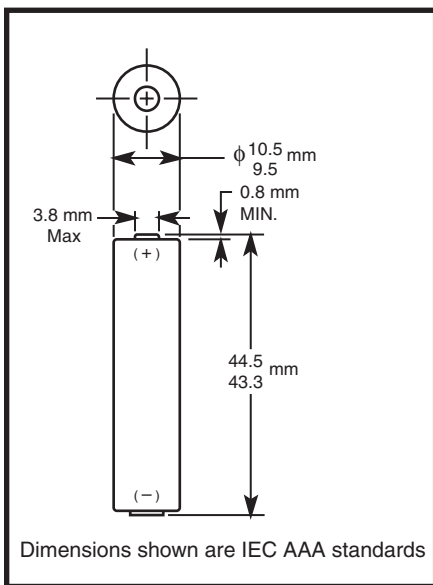


NX2400  
Size: AAA (ZR03)

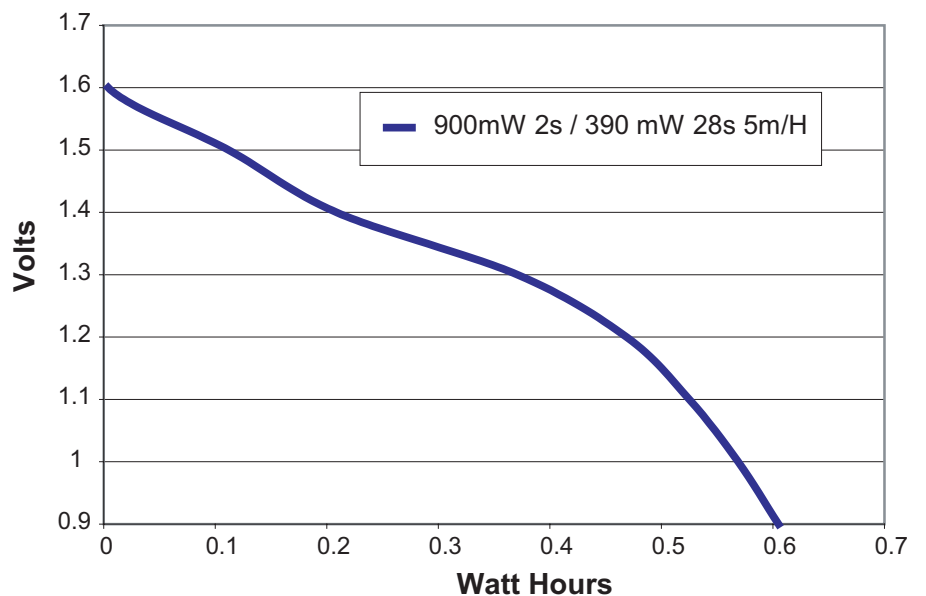
Zn/NiOOH



Nominal Voltage:	1.5 V
Operating Voltage	1.6 -0.75V
Typical Weight:	11 gm (0.4 oz.)
Typical Volume:	3.5 cm <sup>3</sup> (0.21 in. <sup>3</sup> )
Terminals:	Flat, Cap and base
Storage Temperature Range:	-20 °C to 54 °C
Operating Temperature Range:	-20 °C to 54 °C (-4 °F to 130 °F)
ANSI: IEC:	ZR03



Typical Performance Duracell AAA Power Pix



**DURACELL®**  
BATTERIES

Berkshire Corporate Park  
Bethel, CT 06801 U.S.A.  
Telephone: Toll-free 1-800-544-5454  
Internet: [www.duracell.com](http://www.duracell.com)

\* Delivered capacity is dependent on the applied load, operating temperature and cut-off voltage.