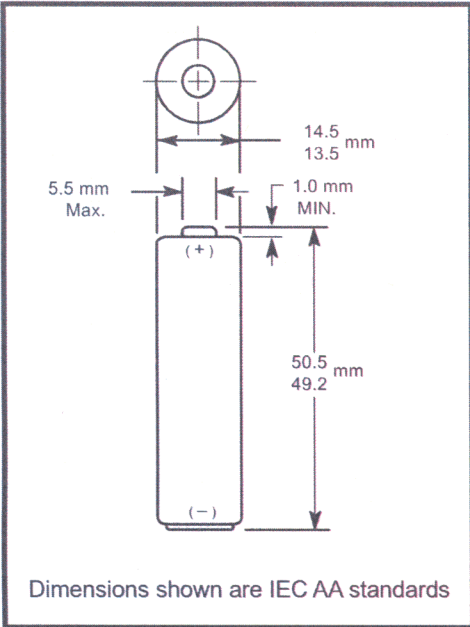




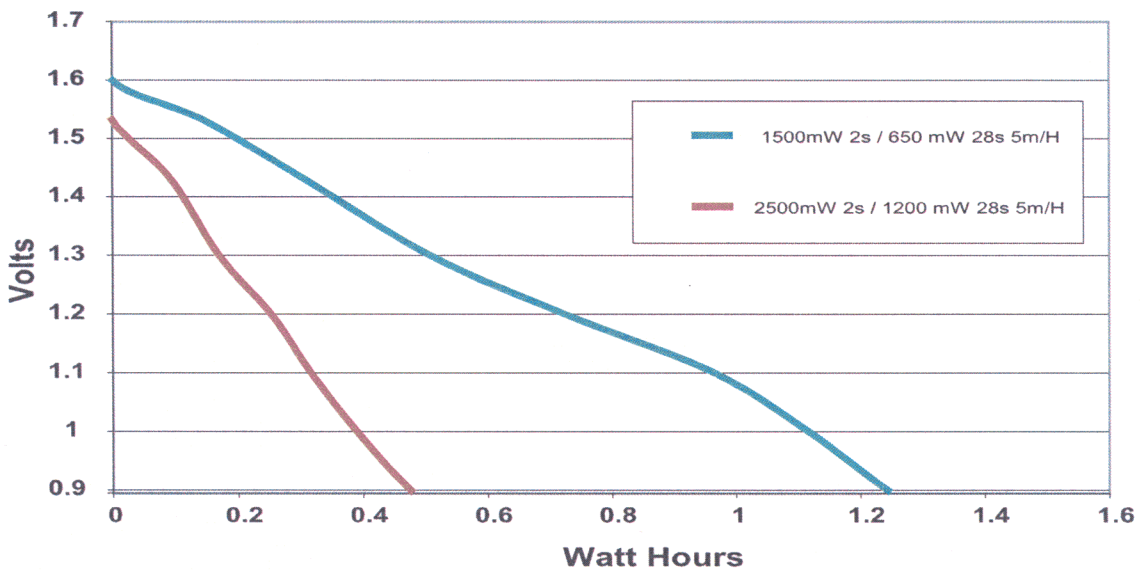
**NX1500**  
**Size: AA (ZR6)**

**Zn/NiOOH**



|                                     |  |
|-------------------------------------|--|
| <b>Nominal Voltage:</b>             | 1.5 V  |
| <b>Average Weight:</b>              | 23 gm (0.8 oz.)                              |
| <b>Volume:</b>                      | 8.4 cm <sup>3</sup> (0.51 in. <sup>3</sup> ) |
| <b>Terminals:</b>                   | Flat , cap & base                            |
| <b>Operating Temperature Range:</b> | -20°C to 54°C<br>(-4°F to 130°F)             |
| <b>ANSI:</b>                        | -  |
| <b>IEC:</b>                         | ZR6  |

**Typical Performance Duracell AA Power Pix**



\* Delivered capacity is dependent on the applied load, operating temperature and cut-off voltage.