

RoHS
Compliant



Description

This Dual USB power adaptor offers fast and reliable charging for all vehicles with 12V / 24V socket output. Equipped with both USB-A QC3.0 and USB-C 45W PD ports, providing efficient power delivery for multiple mobile devices simultaneously. With a clear, simple design and LED illumination the charger is easy to use and ensures safe charging with overcurrent, overvoltage and short-circuit protection inside, making it a dependable accessory for daily travel and work. With a compact form factor and durable construction, the A13-180AC is ideal for automotive, and RV applications.

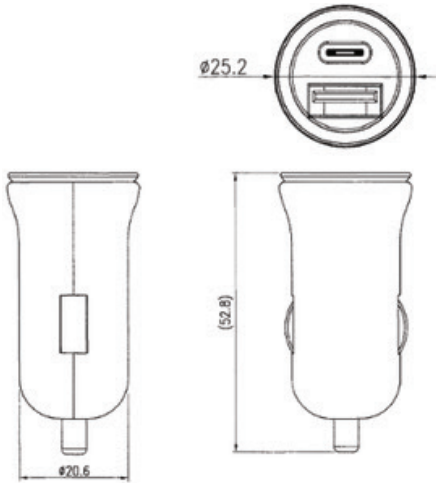
Features

- Compatible with 12 / 24V DC standard lighter socket
- Dual USB-A QC3.0 & USB-C 45W PD
- Fast charging for multiple devices
- Blue LED illumination
- Compact design
- Overcurrent, overvoltage, and short-circuit protection

Specifications

Connection Type	: Lighter socket
Port 1	: USB-C 45W PD
Port 2	: USB-A QC3.0
Voltage Rating	: 12/24VDC Input
Illumination	: Blue LED
Material	: UL Rated plastic
Temperature Rating	: -30°C up to +45°C

Diagram



Part Number Table

Description	Part Number
In Car USB Charger, USB-A QC3.0A, USB-C 45W PD	MP016664

Important Notice : This data sheet and its contents (the "Information") belong to the members of the AVNET group of companies (the "Group") or are licensed to it. No licence is granted for the use of it other than for information purposes in connection with the products to which it relates. No licence of any intellectual property rights is granted. The Information is subject to change without notice and replaces all data sheets previously supplied. The Information supplied is believed to be accurate but the Group assumes no responsibility for its accuracy or completeness, any error in or omission from it or for any use made of it. Users of this data sheet should check for themselves the Information and the suitability of the products for their purpose and not make any assumptions based on information included or omitted. Liability for loss or damage resulting from any reliance on the Information or use of it (including liability resulting from negligence or where the Group was aware of the possibility of such loss or damage arising) is excluded. This will not operate to limit or restrict the Group's liability for death or personal injury resulting from its negligence. Multicomp Pro is the registered trademark of Premier Farnell Limited 2019.