



# Product Change Notification

Current Date: 27-May-2026

## TE Connectivity

**Product Change Notification:** P-26-030317

**PCN Date:** 14-MAY-26

**Customer:** DISTRIBUTOR NA ( 66666661 )

**Location:** NO CITY PROVIDED

**Agreement:** 120513180001

TE would like to inform you of the following change(s) to the listed TE Connectivity Product. In case of any further questions about this change(s), please contact your TE Connectivity Sales Engineer. Affected part, drawing and/or specification numbers are listed on the attached sheet(s).

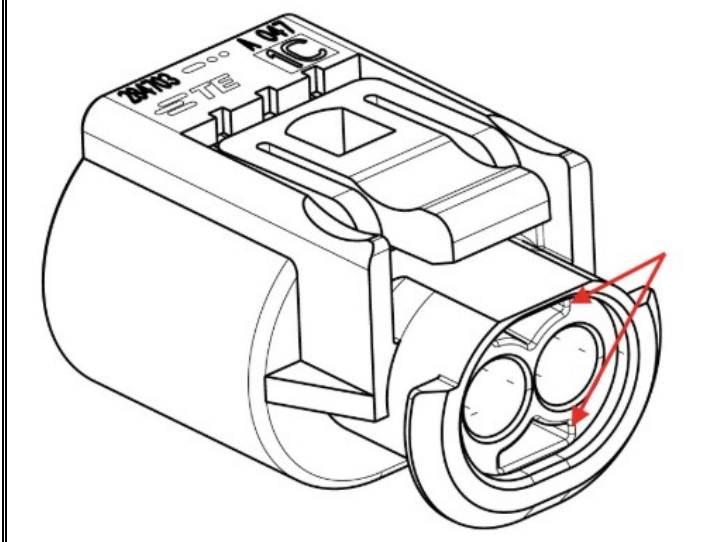
**General Product Description:**

2POS MQS REC SEALED COD A

**Description of Changes**

This PCN is the same as P-26-029622 and is being generated again due to an internal system issue and contains the same following text. This modification will be applied only to TE Brazil customers. Dear customer, as a result of our ongoing efforts to improve our processes, we are informing you about the improvement made. We will be implementing a new mass relief in the connector used for assembly 284703-1. The new method is carried out following a strict procedure that ensures there is no negative impact on the quality, supply capability, or functionality of the products involved. After receiving this notification, the PPAP and samples must be requested through the ePPAP system within 10 days. If you do not make the request in ePPAP, TE will understand and assume that this change has been accepted.

**New Mass Relief Identification**



**Reason for Changes:**

During the Mold Replacement process, the opportunity to implement a mass relief was identified. After approval of all required tests, the modification will be implemented following the completion of the mold replacement.

**Estimated Dates:**

|   |   |
|---|---|
| <b>Last Order Date</b> (Obsolete Parts Only): | <b>First Date To Ship</b> (Changed Parts Only):             |
|   | 01-MAY-2026   |
| <b>Last Ship Date</b> (Obsolete Parts Only):  | <b>Last Date for Mixed Shipments:</b> (Changed Parts Only): |
|   | No Mixed Shipments  |

**Part Number(s) being Modified:**

| Part Number              | Part Discontinued per PCN | Customer Drawing | Customer Part Number | Alias Part Number(s) | Substitute Part Number | Substitute Alias Part Number(s) | Description Of Difference |
|--------------------------|---------------------------|------------------|----------------------|----------------------|------------------------|---------------------------------|---------------------------|
| <a href="#">284703-1</a> | NO                        |                  |                      |                      |                        |                                 |                           |