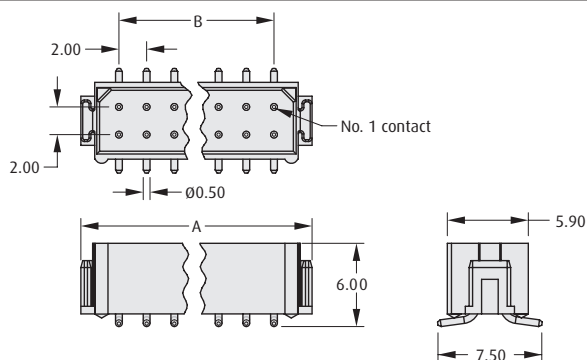


Datamate Connectors

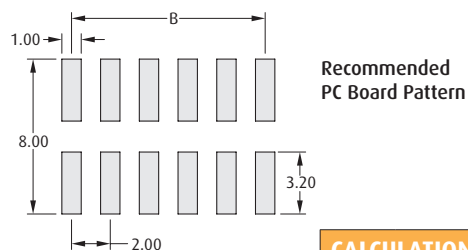
Male Vertical Surface Mount

- ❖ Contact datamate@harwin.com for tape & reel options.
- ❖ Optional pick and place cap.
- ❖ Mates with female connectors on pages 18 to 20.
- ❖ Gull wing SMT tails simplify inspection process.

UNLATCHED

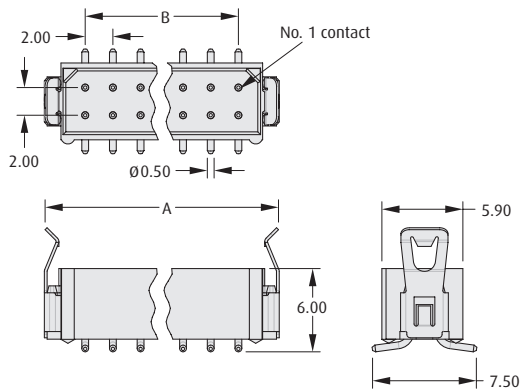


Friction lock or latch (when fitted) adds 0.5mm to overall length 'A'

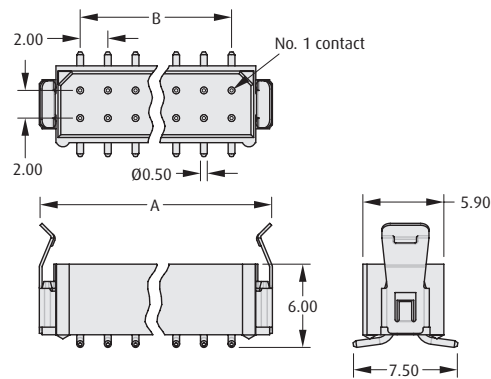


CALCULATION	
A	$B + 5.60$
B	Total No. of contacts - 2

LATCHED



WITH FRICTION LOCK



HOW TO ORDER

M80 - 82 X XX XX P

SERIES CODE

TYPE

6	Unlatched
7	Friction latched
8	Latched

TOTAL NO. OF CONTACTS

04, 06, 08, 10, 12, 14, 16, 18, 20, 26, 34, 44

PICK AND PLACE CAP

BLANK	No cap
P	Pick and place cap

FINISH

22	Gold + Tin/Lead	
42	Gold + Tin	
45	Gold	

www.harwin.com

All dimensions in mm.



HARWIN