

SIZE E16 - SINGLE OUTPUT: 5 or 12v - TRANSFORMER FOR TINYSWITCH

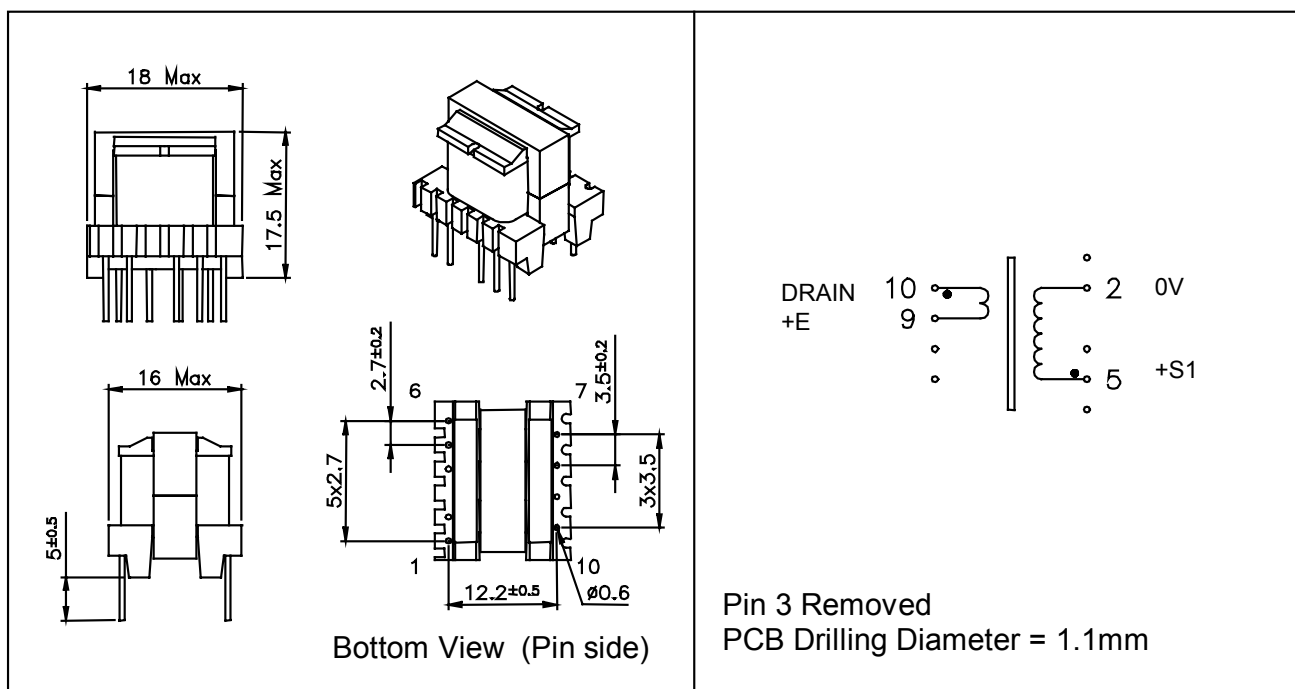
Primary / Secondary Insulation $\geq 4000V$

Creepage distance Primary / Secondary $\geq 6mm$

Ambient temperature $< 60^{\circ}C$

Construction conforms to IEC950, IEC335, IEC61558 for reinforced insulation

Exclusively uses UL94-V0 listed materials



MYRRA P / N	Output Power maximum	Windings					
			Pins	Turns	Voltage	Current maximum	Inductance (+/-10%)
74094	9 w	Pri	10 – 9	135	55 – 100 (VOR)	0.48 Apeak	2100µH
		S1	5 – 2	9	3.3 – 6 Vdc	1.5 Adc	
74095	9 w	Pri	10 – 9	135	65 – 125 (VOR)	0.48 Apeak	2100µH
		S1	5 – 2	17	7.5 – 15 Vdc	0.9 Adc	

Examples of application with Integrated Circuits :

MYRRA P / N	Control IC Manufacturer	Control IC P / N	Input voltage	Power	Frequency
74094	Power Integrations	TNY255	85 - 265Vrms	4.2w	44kHz
	Power Integrations	TNY264	85 - 265Vrms	5w	132kHz
	Power Integrations	TNY266	85 - 265Vrms	9w	132kHz
74095	Power Integrations	TNY255	85 - 265Vrms	5w	44kHz
	Power Integrations	TNY264	85 - 265Vrms	5w	132kHz
	Power Integrations	TNY266	85 - 265Vrms	9w	132kHz