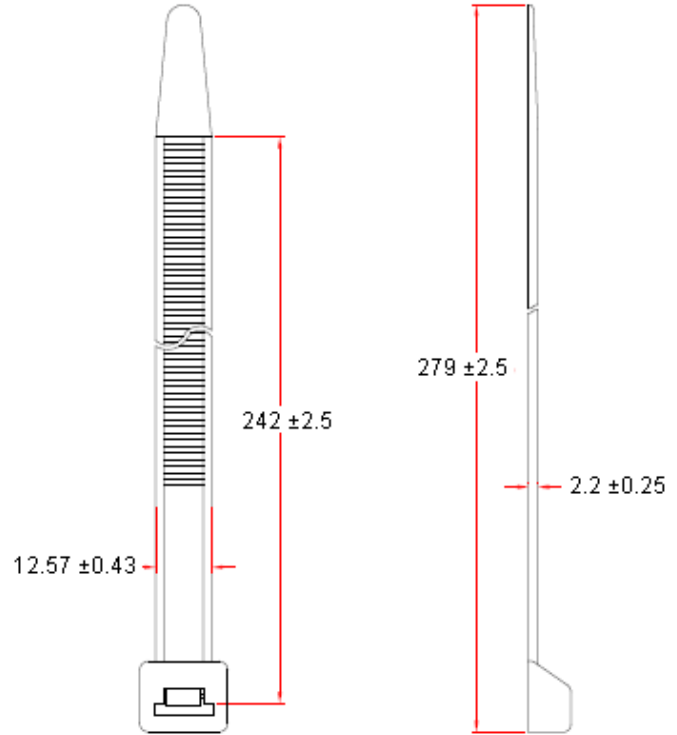
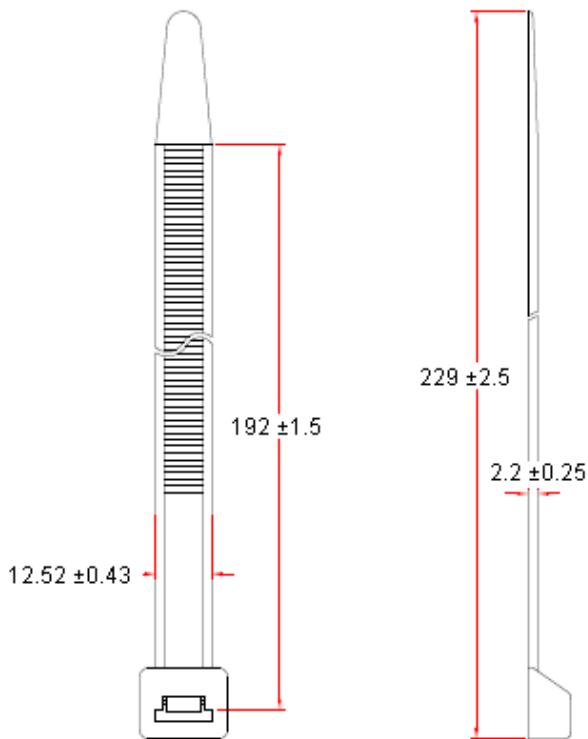


Extra Heavy Duty Cable Tie

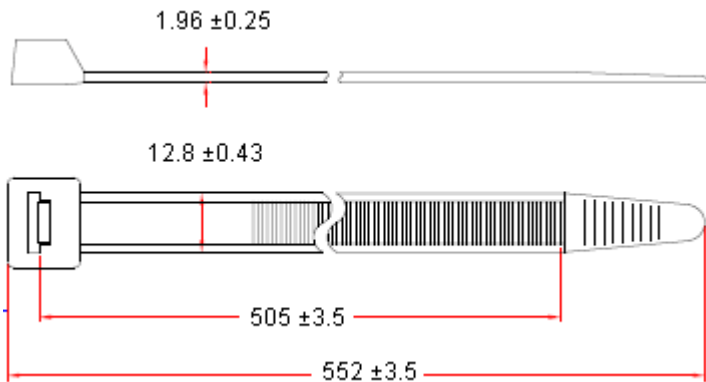


CV-230XLHS

CV-280XLHS



CV-550LHS

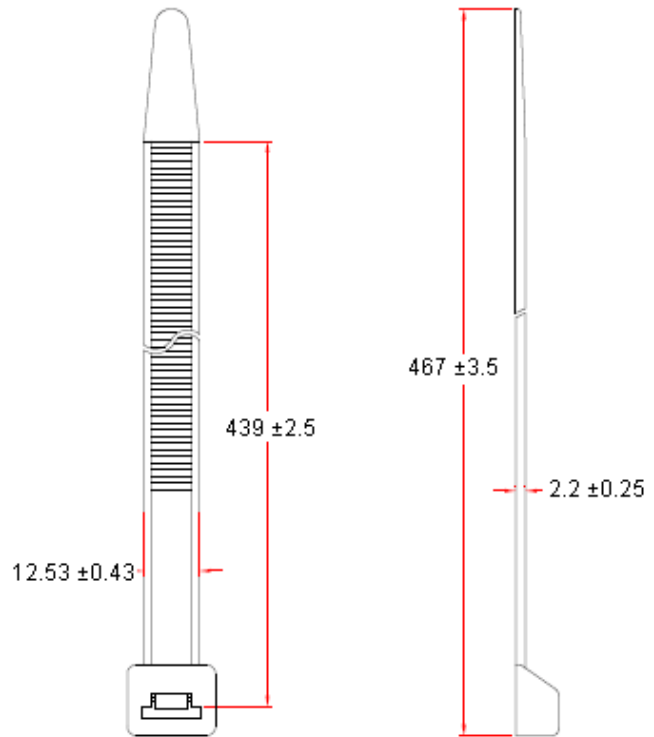
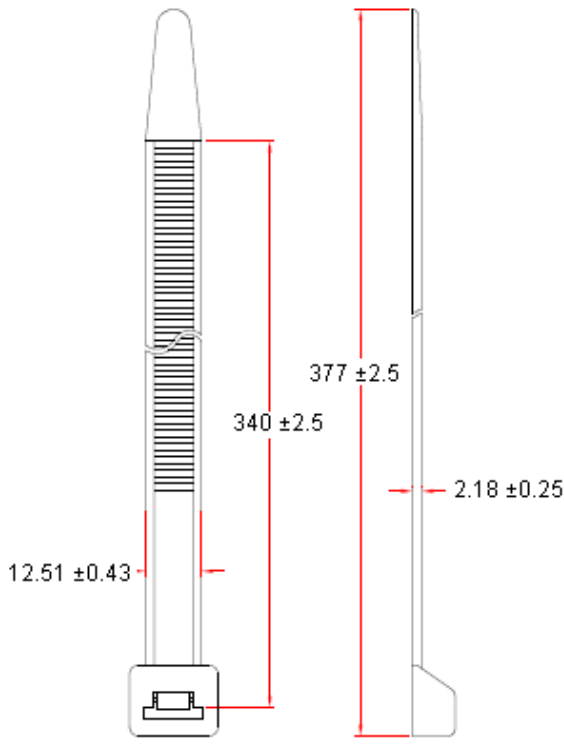


Extra Heavy Duty Cable Tie



CV-380XLHS

CV-480XLHS



Specification Table

Colour	External Width	Maximum Thickness	External Length/Height	Minimum Operating Temperature (°C)	Maximum Operating Temperature (°C)	Material
Natural	12.52 ±0.43	2.2 ±0.25	229 ±2.5	-45	+80	Nylon 6.6
	12.57 ±0.43		279 ±2.5			
	12.51 ±0.43	2.18 ±0.25	377 ±2.5			
	12.53 ±0.43	2.2 ±0.25	467 ±3.5			
	12.8 ±0.43	1.96 ±0.25	552 ±31.5			
Black	12.52 ±0.43	2.2 ±0.25	229 ±2.5	-45	+80	Nylon 6.6
	12.57 ±0.43		279 ±2.5			
	12.51 ±0.43	2.18 ±0.25	377 ±2.5			
	12.53 ±0.43	2.2 ±0.25	467 ±3.5			
	12.8 ±0.43	1.96 ±0.25	552 ±31.5			

Extra Heavy Duty Cable Tie



Part Number Table

Description	Part Number
Cable Tie, Nat, 230 x 12.7mm, PK100	CV-230XLHS
Cable Tie, Nat, 280 x 12.7mm, PK100	CV-230XLHS
Cable Tie, Nat, 380 x 12.7mm, PK100	CV-380XLHS
Cable Tie, Nat, 480 x 12.7mm, PK100	CV-480XLHS
Cable Tie, Nat, 550 x 12.7mm, PK100	CV-550LHS
Cable Tie, Black, 230 x 12.7mm, PK100	CV-230XLHSBK
Cable Tie, Black, 280 x 12.7mm, PK100	CV-280XLHSBK
Cable Tie, Black, 380 x 12.7mm, PK100	CV-380XLHSBK
Cable Tie, Black, 480 x 12.7mm, PK100	CV-480XLHSBK
Cable Tie, Black, 550 x 12.7mm, PK100	CV-550LHSBK

Disclaimer This data sheet and its contents (the "Information") belong to the Premier Farnell Group (the "Group") or are licensed to it. No licence is granted for the use of it other than for information purposes in connection with the products to which it relates. No licence of any intellectual property rights is granted. The Information is subject to change without notice and replaces all data sheets previously supplied. The Information supplied is believed to be accurate but the Group assumes no responsibility for its accuracy or completeness, any error in or omission from it or for any use made of it. Users of this data sheet should check for themselves the Information and the suitability of the products for their purpose and not make any assumptions based on information included or omitted. Liability for loss or damage resulting from any reliance on the Information or use of it (including liability resulting from negligence or where the Group was aware of the possibility of such loss or damage arising) is excluded. This will not operate to limit or restrict the Group's liability for death or personal injury resulting from its negligence. SPC pro-Power is the registered trademark of the Group. © Premier Farnell plc 2009.

<http://www.farnell.com>
<http://www.newark.com>
<http://www.cpc.co.uk>

