

APOLLO Cases

CONSTRUCTION

The plastic injection moulded top and base sections clip together, without the use of screws, to provide the basic construction.

The two heights and two widths combine in various configurations to provide six case sizes. The cases, which have a textured exterior finish, incorporate vertical slots for PCB mounting. The plastic front and rear panels can be fitted in a recessed, flush or projecting position according to individual preference requirements.

An aluminium and plastic panel is supplied with sizes 1, 2, 4 and 5. Two aluminium panels are supplied with sizes 3 and 6. The cases are available in a combinations of light grey with mid grey. Four self-adhesive non-slip feet are provided for fixing to the base and four self-adhesive PCB mounting clips are also provided for universal mounting of circuit boards.

Contents of kit

Description	Qty.	Materials/Specification
Top moulding	1	ABS light grey
Base moulding	1	ABS light grey
PCB mounting clips	4	Nylon 66
Plastic panel	1	ABS mid grey (See NOTE)
Aluminium panel	1	1,6mm aluminium (See NOTE)
Self-adhesive feet	4	

ABS Material specification

Temp. range	-40°C to +80°C
Flame class rating	UL94-HB

WALL MOUNTING

Located in the shell mouldings are two pre-set drilling points specifically designed to cater for wall mounting applications. A hole is incorporated at these points to act as an accurate centre drill.

The illustration gives the relevant dimensions.

Ordering information

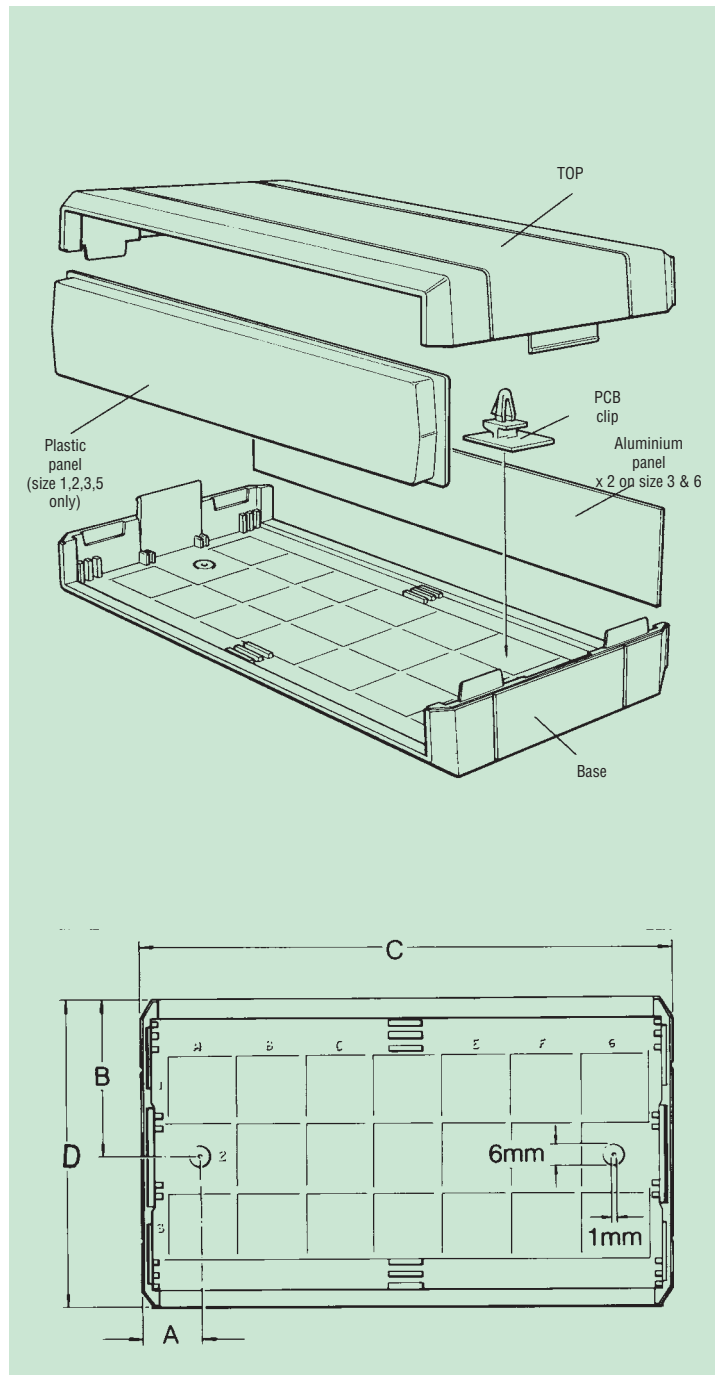
Case size	Case dimensions					Order code
	A	B	C	D	E	
1	91	155,28	39,2	152,52	34	75-38106
2	91	155,28	59,2	152,52	54	75-38107
3 ^{NOTE}	91	155,28	79,2	152,52	74	75-38108
4	146,5	206,14	39,4	203,32	34,2	75-38118
5	146,5	206,14	74,4	203,32	69,2	75-38119
6 ^{NOTE}	146,5	206,14	109,4	203,32	104,2	75-38120

^{NOTE}: Sizes 3 and 6 include 2 aluminium panels only

For details of a full range of compatible accessories, please refer to page 30.



APOLLO cases



APOLLO Cases

Case size	A	B	C	D
1	17,64	45,5	155,28	91
2	17,64	45,5	155,28	91
3	17,64	45,5	155,28	91
4	15	73,25	206,14	146,5
5	15	73,25	206,14	146,5
6	15	73,25	206,14	146,5

ALUMINIUM PANEL DIMENSIONS

Size	Dimensions				
	J	K	L	M	N
1	34	148	1.6	133,8	19,2
2	54	148	1.6	133,4	39,2
3	74	148	1.6	133,4	59,2
4	34	198	1.6	184,6	19,4
5	69	198	1.6	183,2	54,4
6	104	198	1.6	183,2	89,4

DIMENSIONAL DETAILS

