

VERONEX IP62 Rated Cases

The **VERONEX IP62** range is available in 4 plan sizes and 9 different heights. The enclosure is a simple two part construction with plastic end panels which are readily push fitted between two ribs in the case moulding. This, together with the tongue-and-groove joint which connects the two covers, achieves the IP62 seal against the ingress of dust and water.

Contents of kit

Description	Qty.	Material/Finish
Base moulding	1	RAL 7035,UL94-V0 flame retardant ABS
Top moulding	1	RAL 7035,UL94-V0 flame retardant ABS
Moulded end panels	2	RAL 7037,UL94-V0 flame retardant ABS
Case fixing screws	4	
Self adhesive feet (size 3 and 4 only)	4	
Self-tapping pcb screws	4	

EXPLANATION OF IP RATING

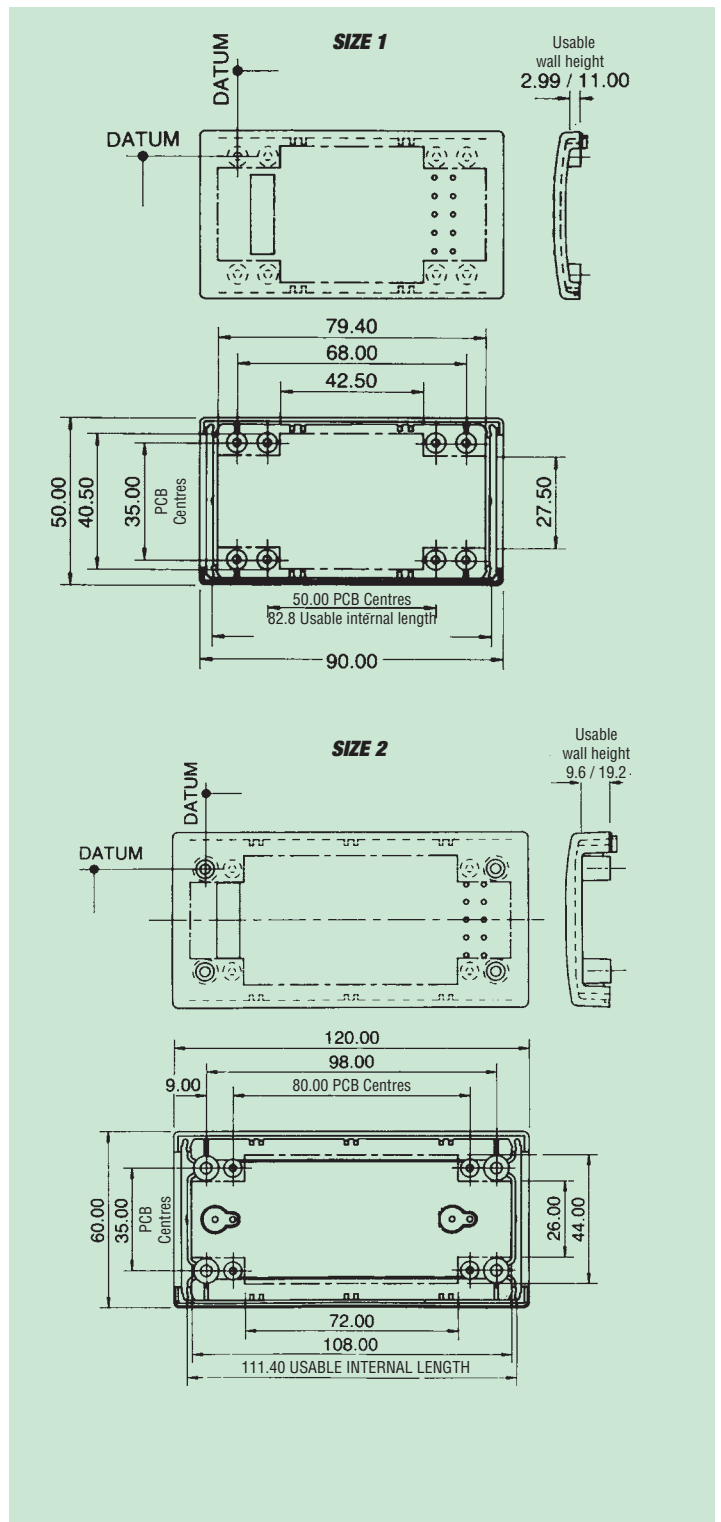
6 = Limitation of ingress of dust

2 = Protection against water dripping non-vertically

Ordering information

Description	H	W	D	Order code
Size 1	90	50	16	75-227894
	90	50	24	75-227895
	90	50	32	75-227896
Size 1 Black	90	50	16	75-237424
	90	50	24	75-237425
Size 2	120	60	30	75-227897
	120	60	50	75-227899
Size 2 Black	120	60	30	75-237426
	120	60	40	75-237427

For details of a full range of **VERONEX** compatible accessories, please refer to page 15.



VERONEX IP62 Rated Cases

Contents of kit

Item/Description	Qty.	Material/Finish
Base moulding	1	RAL 7035,UL94-V0 flame retardant ABS
Top moulding	1	RAL 7035,UL94-V0 flame retardant ABS
Moulded end panels	2	RAL 7037,UL94-V0 flame retardant ABS
Case fixing screws	4	
Self adhesive feet (size 3 and 4 only)	4	
Self-tapping pcb screws	4	

Ordering information

Description	H	W	D	Order code
Size 3	150	80	30	75-227900
	150	80	45	75-227901
	150	80	60	75-227902
Size 3 Black	150	80	30	75-237429
	150	80	45	75-237430
Size 4	190	100	40	75-227903
	190	100	60	75-227904
	190	100	80	75-227905

For details of a full range of **VERONEX** compatible accessories, please refer to page 15.

