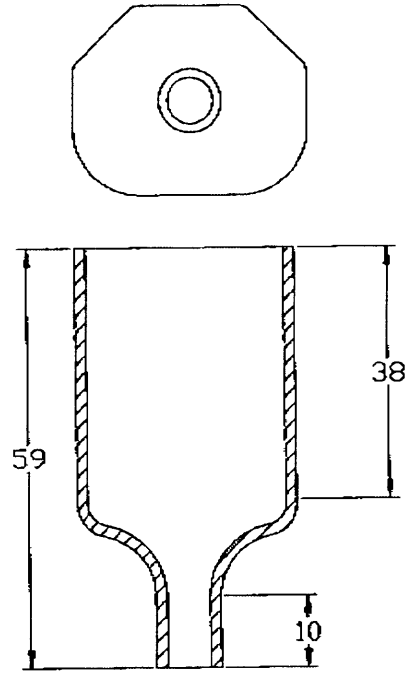
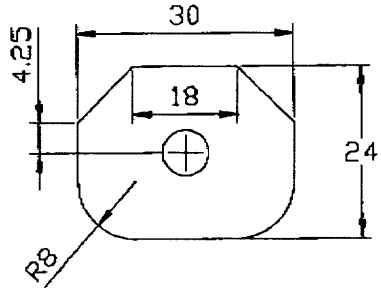
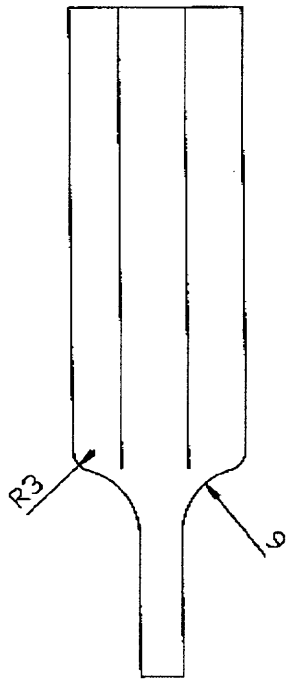
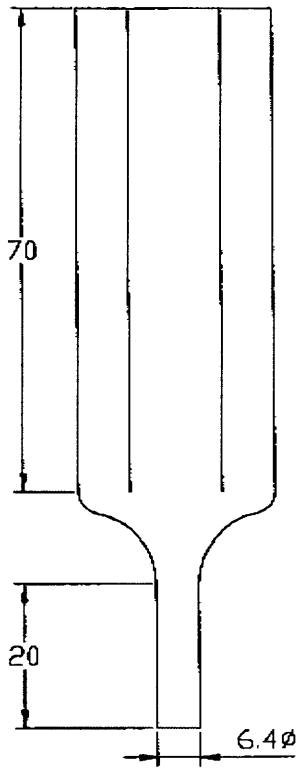


F10 151743

CUSTOMER  
 MH CONNECTORS LTD  
 P/NO.  
 DIP-IEC7-BK

TOOL:  
 CAST ALUMINIUM



General tolerance unless otherwise stated

TOOL

MOULDING

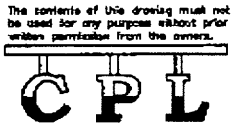
PROD ISS 1 DC09/10/97

DESIGNATION

APPROVED

CPL\_REF:

151-743



TITLE  
 BOOT  
 70 SHORE MATT  
 BLACK

Linear  $\pm 0.25$   
 Diameter  $\pm 0.2$   
 Concentricity  $\pm 0.2$   
 Angular  $\pm 0.5$  Degrees  
 REMOVE ALL BURRS & SHARP CORNERS TO:  
 MIN 1.0 45 DEGREES  
 MIN 2.0 RADIUS

WALL THICKNESS - 0.5 + 1.0  
 AT DIP LINE  
 DIPPED LENGTH + or - 1.5  
 TRIMMED LENGTH - 0.5 + 1.5