

Interference Suppression Film Capacitors MKP Radial Potted Type

APPLICATIONS

Y2 class

REFERENCE STANDARDS

"IEC 60384-14 2nd edition and EN 132400"

"IEC 60065, pass. flamm. class B"

250 V: CSA-C22.2 No 1; UL1414; ENEC; UL1283

MARKING

C-value; tolerance; rated voltage; sub-class; manufacturer's type designation; code for dielectric material; manufacturer location; year and week

DIELECTRIC

Polypropylene film

ELECTRODES

Metallized film

CONSTRUCTION

Mono construction

RATED VOLTAGE

AC 250 V; 50 to 60 Hz

PERMISSIBLE DC VOLTAGE

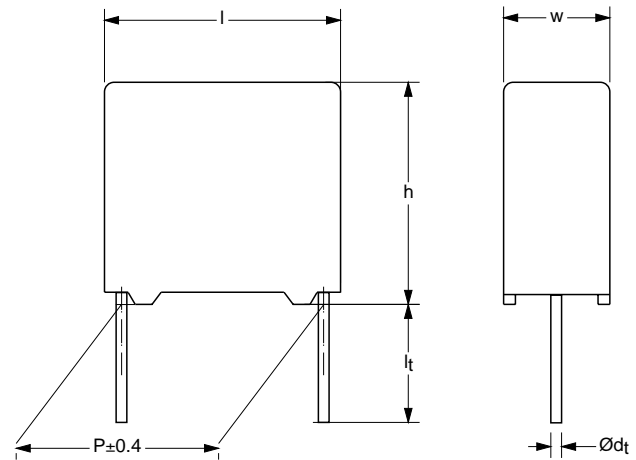
DC 630 V

ENCAPSULATION

Plastic case, epoxy resin sealed, flame retardant UL-class 94 V-0

CLIMATIC TESTING CLASS ACC. TO EN 60068-1

55/100/21/B



Dimensions in mm

CAPACITANCE RANGE (E12 SERIES)

E12 series 0.001 to 0.047 μ F
Preferred values acc. to E6

CAPACITANCE TOLERANCE

$\pm 20\%$; $\pm 10\%$; $\pm 5\%$

LEADS

Tinned wire

RATED TEMPERATURE

100 °C

MAXIMUM APPLICATION TEMPERATURE

100 °C

FEATURES

10 to 15 mm lead pitch. Supplied loose in box, taped on reel

DETAIL SPECIFICATION

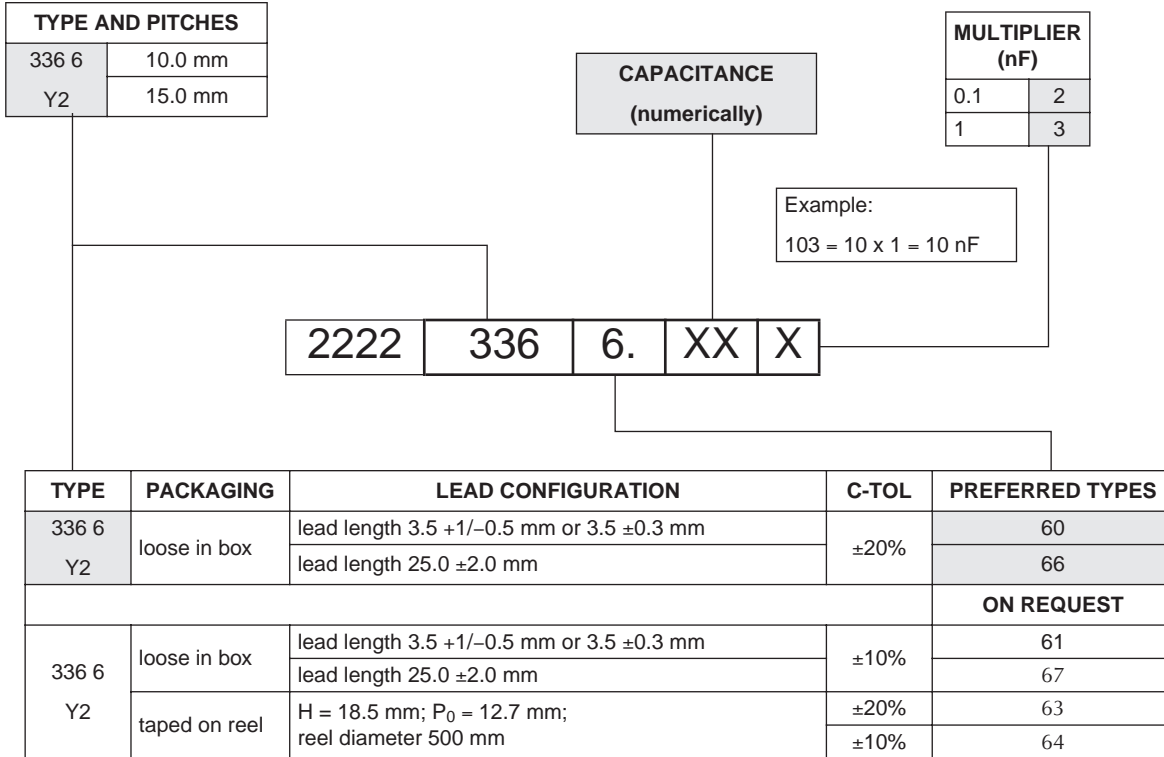
For more detailed data and test requirements see "Type detail specification HQN-384-14/109"

MKP 336 6 Y2

Vishay BCcomponents Interference Suppression Film Capacitors
MKP Radial Potted Type



COMPOSITION OF CATALOG NUMBER



SPECIFIC REFERENCE DATA MKP 336 6 250 VAC

DESCRIPTION	VALUE	
	at 10 kHz	at 100 kHz
Tangent of loss angle	≤10 × 10 ⁻⁴	≤30 × 10 ⁻⁴
Rated voltage pulse slope (dU/dt) _R at 355 V (DC)	200 V/μs	
R between leads, for C ≤ 0.33 μF at 100 V; 1 minute	>15000 MΩ	
R between leads and case; 100 V; 1 minute	>30000 MΩ	
Withstanding (DC) voltage (cut off current 10 mA); rise time 100 V/s	2700 V; 1 minute	
Withstanding (AC) voltage between leads and case	2000 V; 1 minute	



$U_{Rac} = 275 V$; $C-tol = \pm 20\%$

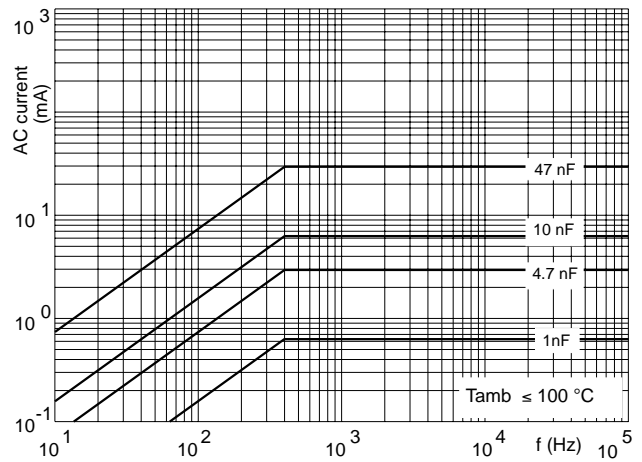
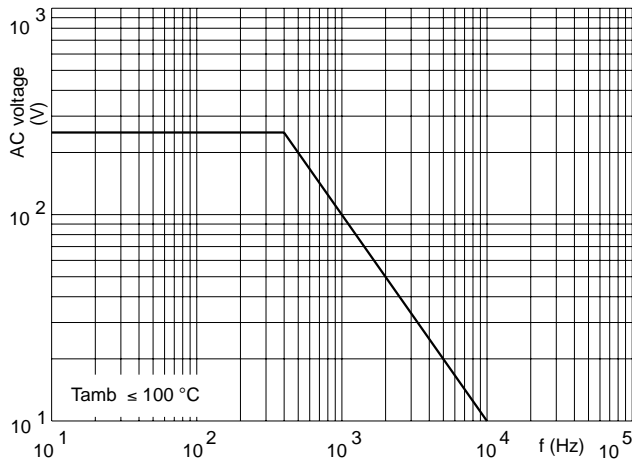
C (μF)	DIMENSIONS ⁽¹⁾ w × h × l (mm)	MASS (g)	CATALOG NUMBER 336 AND PACKAGING					
			LOOSE IN BOX				REEL	
			$l_t = 3.5 +1/-0.5 \text{ mm}^{(2)}$		$l_t = 25.0 \pm 2.0 \text{ mm}$		H = 18.5 mm; P ₀ = 12.7 mm	
			last 5 digits of catalog number	SPQ	last 5 digits of catalog number	SPQ	last 5 digits of catalog number	SPQ
Pitch = 10.0 ±0.4 mm; d_t = 0.60 ±0.06 mm								
0.001	4.0 × 10.0 × 12.5	0.6	60102	1000	66102	1250	63102	1400
0.0015			60152		66152		63152	
0.0022			60222		66222		63222	
0.0033	5.0 × 11.0 × 12.5	0.9	60332	1000	66332	1000	63332	1100
0.0047	6.0 × 12.0 × 12.5	1.0	60472	750	66472	750	63472	900
0.0068			60682		66682		63682	
Pitch = 15.0 ±0.4 mm; d_t = 0.80 ±0.08 mm								
0.0068	5.0 × 11.0 × 17.5	1.2	69005	1000	69009	1000	69006	1100
0.01			60103		66103		63103	
0.015	6.0 × 12.0 × 17.5	1.4	60153	1000	66153	1000	63153	900
0.022	7.0 × 13.5 × 17.5	1.9	60223	1000	66223	500	63223	800
0.033	8.5 × 15.0 × 17.5	2.6	60333	1000	66333	500	63333	650
0.047	10.0 × 16.5 × 17.5	3.1	60473	500	66473	500	63473	600

Notes

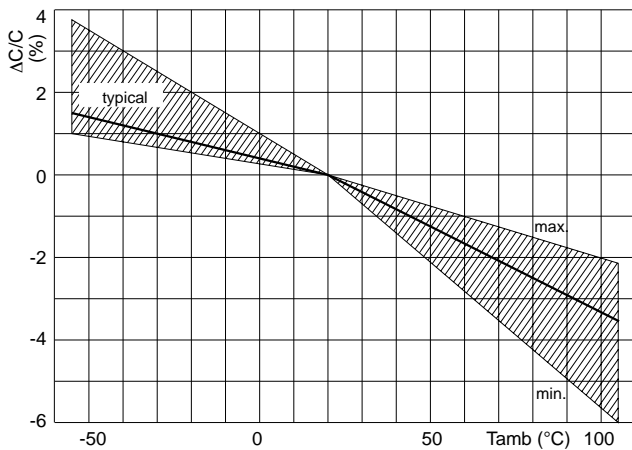
- Specified dimensions only valid for ±20% tolerance values.
- $l_t = 3.5 \pm 0.3 \text{ mm}$ for pitch = 15 mm.



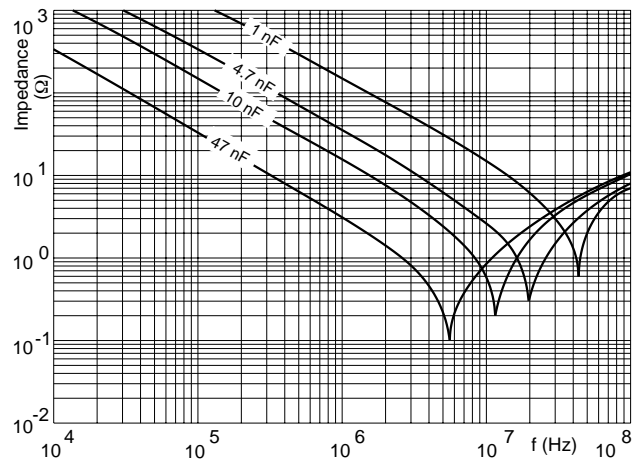
MAXIMUM RMS VOLTAGE AND AC CURRENT (SINEWAVE) AS A FUNCTION OF FREQUENCY



CAPACITANCE



IMPEDANCE



APPROVALS

COUNTRY	SPECIFICATION	ELECTRICAL VALUES	FILE NUMBERS	APPROVAL MARK
U.S.A. (for AC 250 V) (for AC 250 V)	UL1414 UL1283	1 nF to 47 nF 1 nF to 47 nF	E112471 E109565	
Canada (for AC 250 V)	CSA-C22.2 No.1	1 nF to 47 nF	1104860 (LR 94054-6)	
CB TEST CERTIFICATE (for AC 250 V)		1 nF to 47 nF: 55/100/21/B	DE-1-7483	
Europe (for AC 250 V)	EN132400 IEC 60384-14 2 nd edition	1 nF to 47 nF	ENEC/B03/2001	

This datasheet has been download from:

www.datasheetcatalog.com

Datasheets for electronics components.