

Features:

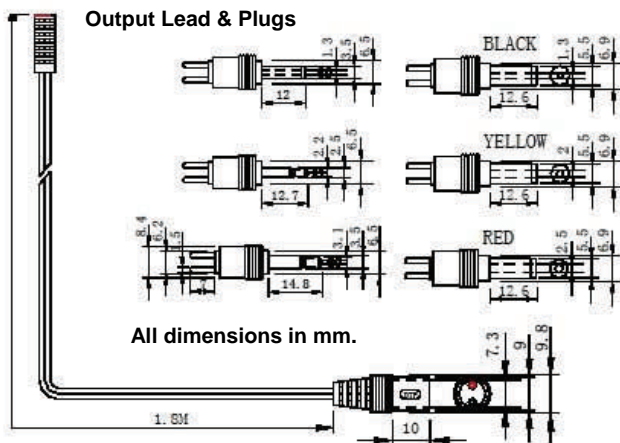
- Low cost high reliability
- UK or Chinese manufactured
- Large range of standard models in stock
- Plug-top, desk-top and wall mount models
- Models to meet UK, European and North American Standards
- Models to meet other countries' standards
- Full compliance with Safety and EMC requirements
- All standard models in black plastic cases; white and other colours to customer order

Basic specification for all models:

- Output lead is 1.8 metres long, with a multi-choice pack of 6 connectors as standard; dedicated connectors at customers choice and reduced price
- UK and Euro units comply with EN 60950-1 and CE requirements
- UL and CSA approvals on North American units
- Units to other country-specific and medical approvals available to customer order
- One-shot thermal fuses fitted as standard. Resettable fuses, polyswitches or PTC's available to customer order

Standard AC/AC Models

| MODEL NO. | PART NO. | OUTPUT VOLTAGE | OUTPUT CURRENT | OUTPUT REGULATION | OUTPUT CONNECTOR | HI-POT TESTED | OPERATING-TEMPERATURE | INPUT VOLTS | MAGNETISING CURRENT | APPROVALS | CASE STYLE |
|------------|----------|----------------|----------------|-------------------|------------------|---------------|-----------------------|-------------|---------------------|-----------|------------|
| AC-0650BS | S2251ST | 6Vac | 500mAac | 9.1% | Multipack | 4200Vdc | 0-40°C | 230Vac | 45mAac | CE | EI-41BS03 |
| AC-0930BS | S2252ST | 9Vac | 300mAac | 16.7% | Multipack | 4200Vdc | 0-40°C | 230Vac | 40mAac | CE | EI-35BS |
| AC-0960EU | S2253ST | 9Vac | 600mAac | 15.9% | Multipack | 3750Vac | 0-40°C | 230Vac | 50mAac | CE | EI-41EU02 |
| AC-0960BS | S2072ST | 9Vac | 600mAac | 15.9% | Multipack | 3750Vac | 0-40°C | 230Vac | 50mAac | CE | EI-41BS03 |
| AC-09100BS | S2074ST | 9Vac | 1000mAac | 15.4% | Multipack | 3750Vac | 0-40°C | 230Vac | 40mAac | CE | EI-48BS08 |
| AC-09100EU | T3483ST | 9Vac | 1000mAac | 12.6% | Multipack | 4200Vdc | 0-40°C | 230Vac | 45mAac | CE | EI-48EU09 |
| AC-09100BS | T2525ST | 9Vac | 1000mAac | 13.4% | 2.1x5.5x12mm | 3750Vac | 0-40°C | 230Vac | 40mAac | CE | EI-48BS08 |
| AC-1225BS | S2111ST | 12Vac | 250mAac | 21.0% | Multipack | 4200Vdc | 0-40°C | 230Vac | 40mAac | CE | EI-35BS |
| AC-1250BS | S2270ST | 12Vac | 500mAac | 17.2% | Multipack | 4200Vdc | 0-40°C | 230Vac | 60mAac | CE | EI-41BS03 |
| AC1250EU | S2254ST | 12Vac | 500mAac | 17.2% | Multipack | 4200Vdc | 0-40°C | 230Vac | 50mAac | CE | EI-41EU02 |
| AC-1250BS | T3004ST | 12Vac | 500mAac | 17.2% | 2.1x5.5x12mm | 3750Vac | 0-40°C | 230Vac | 60mAac | CE | EI-41BS03 |
| AC12100BS | S2232ST | 12Vac | 1000mAac | 15.5% | Multipack | 3750Vac | 0-40°C | 230Vac | 50mAac | CE | EI-48BS08 |
| AC-12100EU | T3484ST | 12Vac | 1000mAac | 15.5% | Multipack | 4200Vdc | 0-40°C | 230Vac | 45mAac | CE | EI-48EU09 |
| AC-12100BS | T2524ST | 12Vac | 1000mAac | 15.5% | 2.1x5.5x12mm | 3750Vac | 0-40°C | 230Vac | 50mAac | CE | EI-48BS08 |
| AC-1550BS | S2234ST | 15Vac | 500mAac | 18.9% | Multipack | 3750Vac | 0-40°C | 230Vac | 50mAac | CE | EI-41BS03 |
| AC-1550EU | S2260ST | 15Vac | 500mAac | 18.9% | Multipack | 4200Vdc | 0-40°C | 230Vac | 50mAac | CE | EI-41EU02 |
| AC-1850ST | S2073ST | 18Vac | 500mAac | 10.4% | Multipack | 4200Vdc | 0-40°C | 230Vac | 50mAac | CE | EI-48BS08 |
| AC-1850EU | T2481ST | 18Vac | 500mAac | 10.9% | Multipack | 4200Vdc | 0-40°C | 230Vac | 50mAac | CE | EI-48EU09 |
| AC-2450BS | T2840ST | 24Vac | 500mAac | 11.1% | Multipack | 3750Vac | 0-40°C | 230Vac | 60mAac | CE | EI-48BS08 |



CUSTOMISED LINEAR ADAPTORS

We are able to supply most types of adaptors to meet our customer's special requirements. Samples can normally be supplied within 5 working days from our UK facility where we are capable of manufacturing small and medium volume production quantities. When a unit is required in high volume or costs need to be reduced, we can transfer production to our far-eastern facilities.

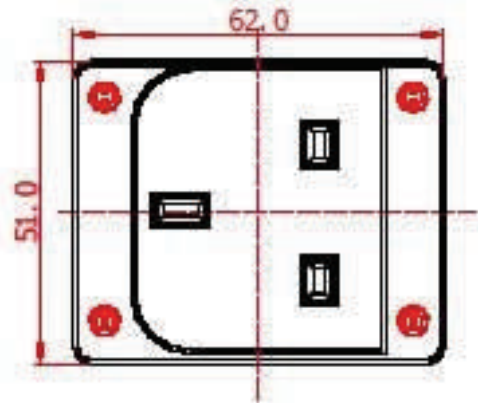
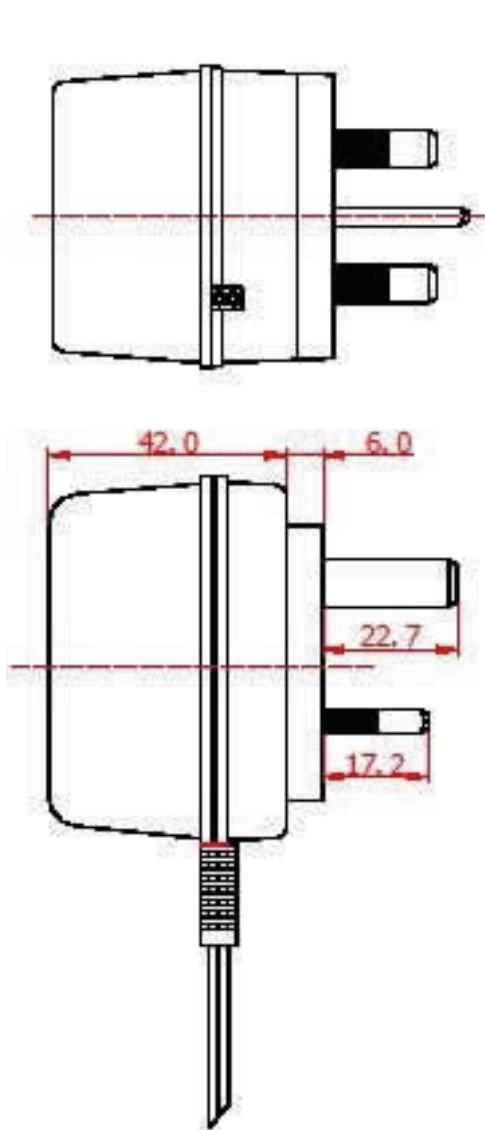
Our range of linear adapters can be designed to offer any output voltage from 1Vac to 110Vac or from 1Vdc to 55Vdc. Power ratings from 1VA up to 150VA and from 1 Watt up to 100 Watts.

We often design these units to meet system start-up, load surge requirements, which can be as high as 50% above rated power.

OUTPUT CONNECTORS

Each of the 6 output connectors can plug into the connector marked TIP that terminates the lead from the adapter. They can plug in either of two ways, so that the TIP points to the + or the - on the connector indicating the polarity of the output where applicable.

EI-35BS PLUG TOP

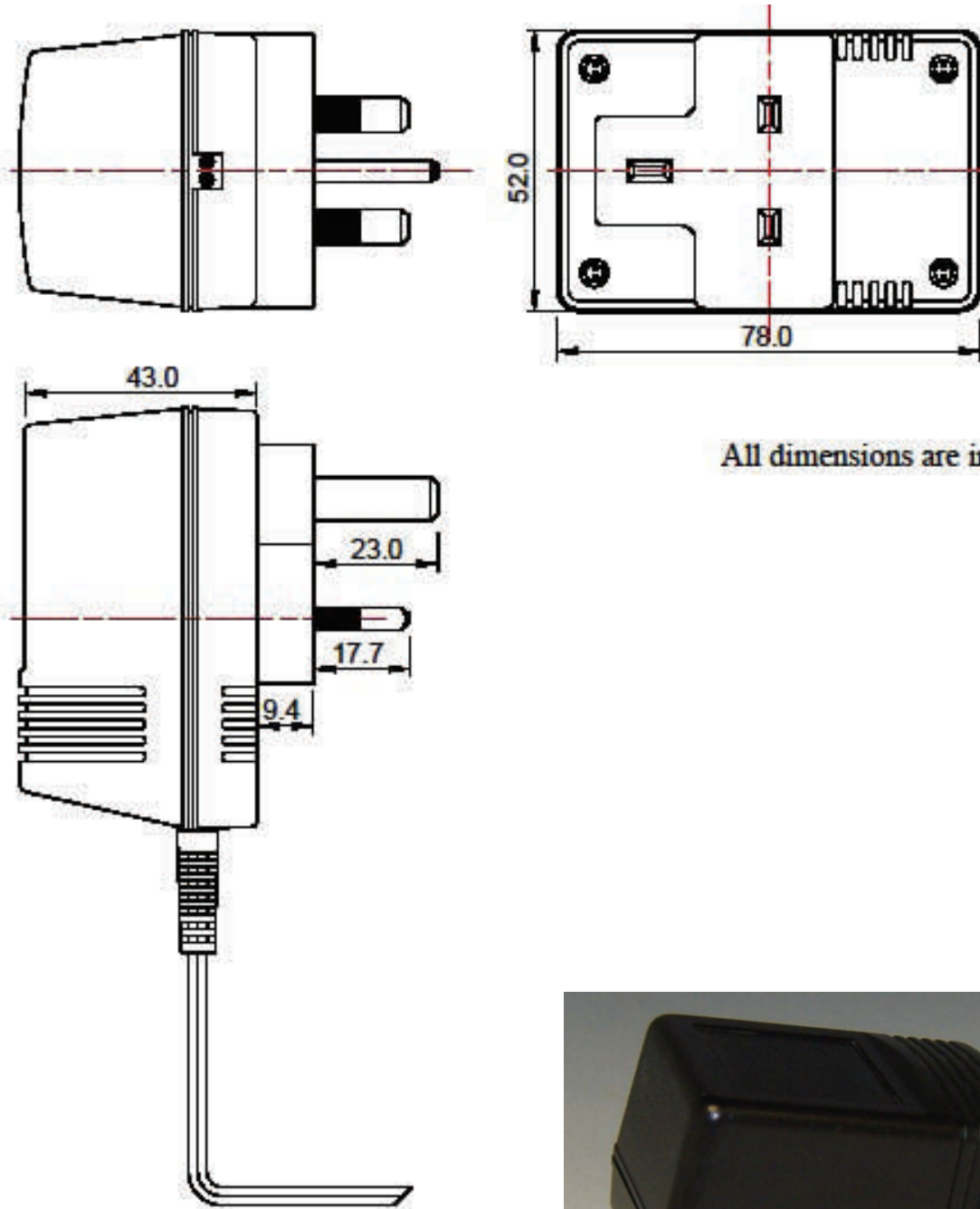


All dimensions are in mm.



EI-41BS03 PLUG TOP

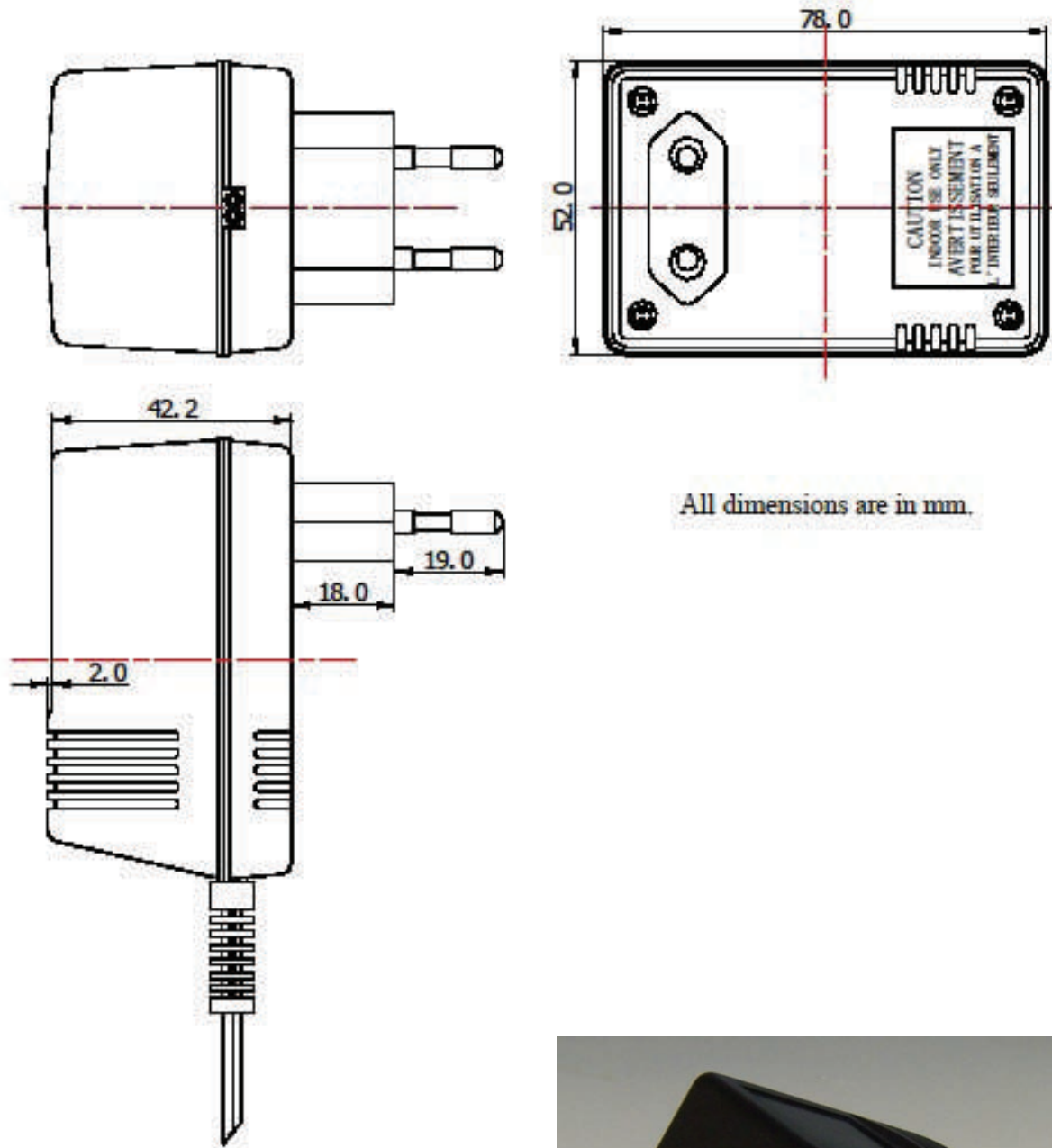
Weight:



All dimensions are in mm.



EI-41EU02 PLUG TOP

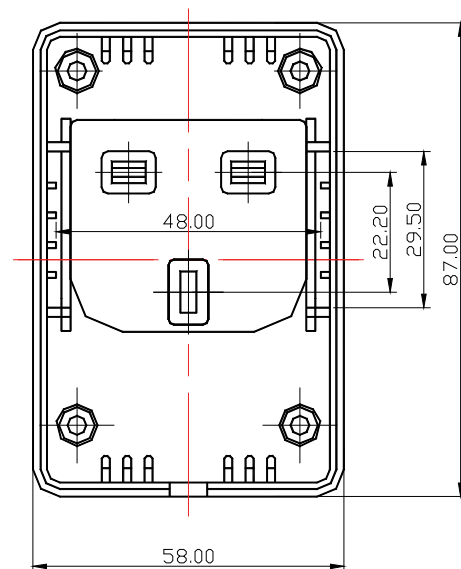
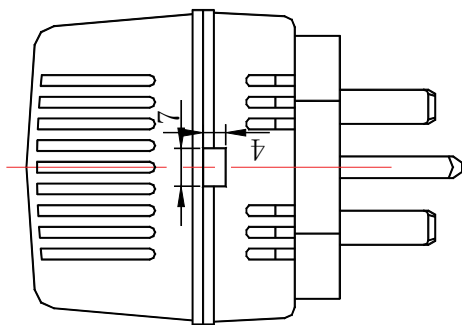
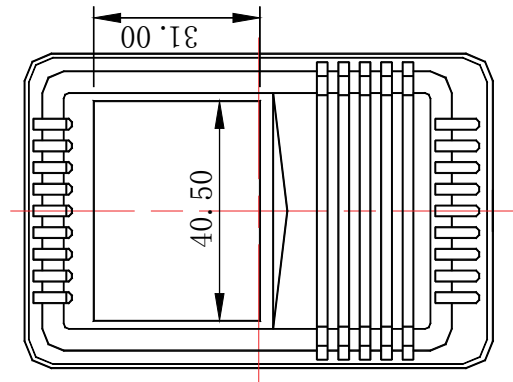
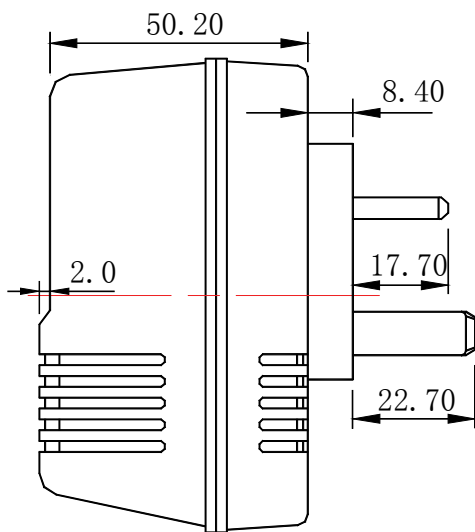


All dimensions are in mm.

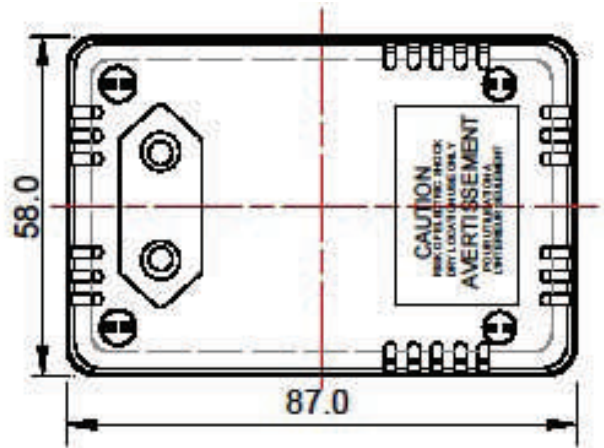
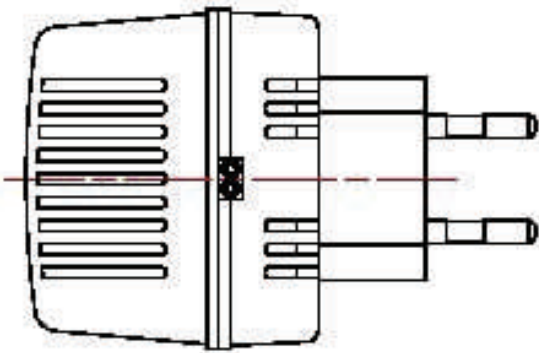


EI-48BS08 PLUG TOP

All dimensions in mm.



EI-48EU09 PLUG TOP



All dimensions are in mm.

