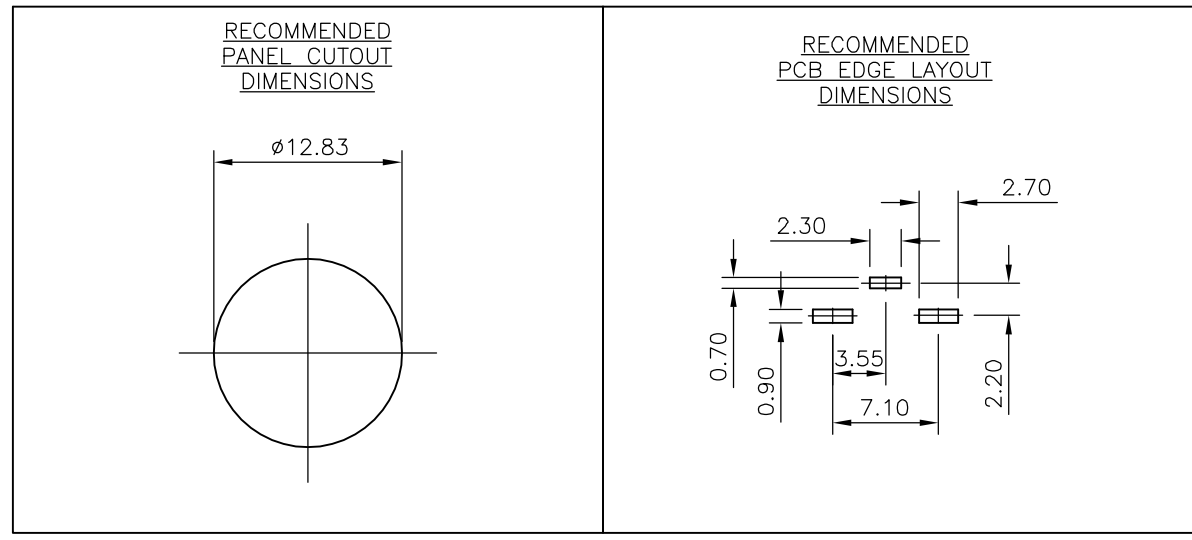
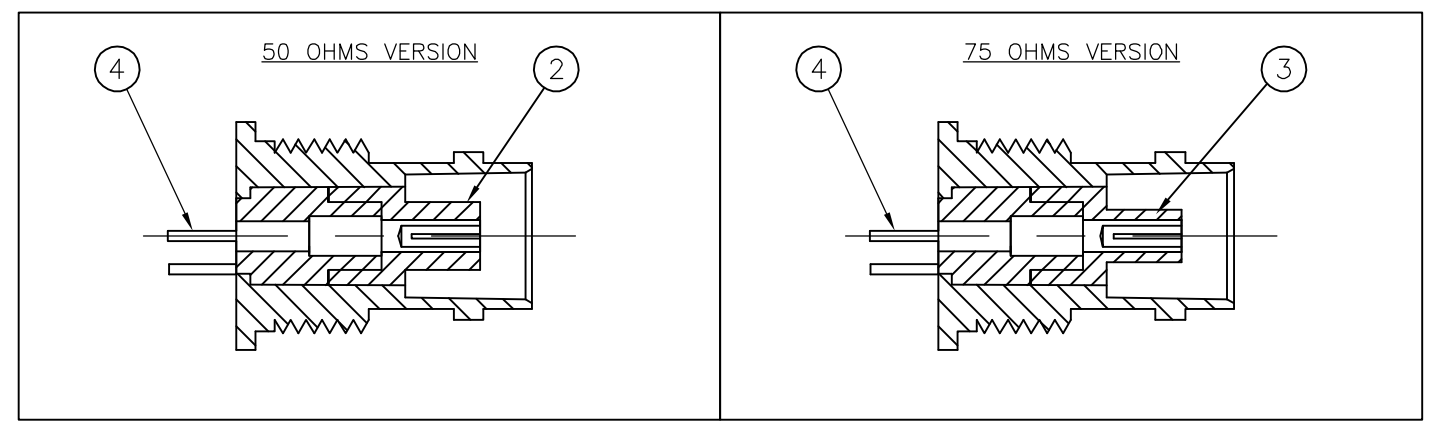
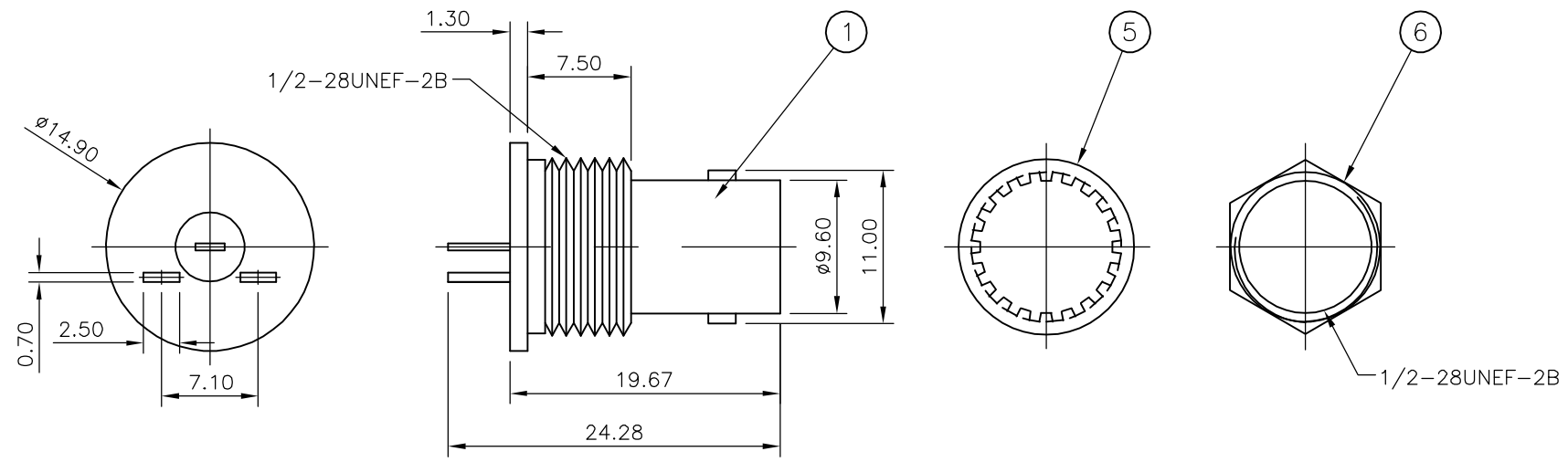


THIS DRAWING IS UNPUBLISHED. RELEASED FOR PUBLICATION MAR ,2006.
 © COPYRIGHT 2006 BY TYCO ELECTRONICS CORPORATION. ALL RIGHTS RESERVED.

LOC	DIST	REVISIONS					
E	B	P	LTR	DESCRIPTION	DATE	DWN	APVD
		A		FIRST ISSUE	20MAR06	JMS	FWK

- NOTES**
- 1 100 TRAY PACK IN ACCORDANCE WITH AMP SPEC 107-3275
 - 2 SINGLE PACK IN ACCORDANCE WITH AMP SPEC 107-3275
 - 3 Au PLATING
 - 4 Ni PLATING
- 5 **CHARACTERISTICS**
- | | |
|-------------------------------|----------------|
| FREQUENCY RANGE (50 OHMS): | DC-4GHz |
| FREQUENCY RANGE (75 OHMS): | DC-2GHz |
| INSULATION RESISTANCE: | 5000 MOHMS |
| WORKING VOLTAGE: | 500V |
| DIELECTRIC WITHSTAND VOLTAGE: | 1500V RMS |
| TEMPERATURE RATE: | -55°C TO +85°C |
| CONTACT RESISTANCE: | 3 mOHMS |
- 6 **MECHANICAL CHARACTERISTICS**
- DURABILITY: 50 CYCLES
- 7 FOR TECHNICAL DATA REFER TO YOUR LOCAL TYCO ELECTRONICS SALES OFFICE
- 8 ALL DIMENSIONS ARE NOMINAL FOR REFERENCE ONLY UNLESS OTHERWISE STATED



QTY	QTY	QTY	QTY	MATERIAL	DESCRIPTION	ITEM
1	1	1	1	BRASS	HEXAGONAL NUT	6
1	1	1	1	BRASS	LOCK WASHER	5
1	1	1	1	PHOS BRONZE	CONTACT	4
1	1	-	-	POLYMETHYLPENTENE	INSULATOR	3
-	-	1	1	POLYMETHYLPENTENE	INSULATOR	2
1	1	1	1	ZINC ALLOY	BODY	1
5--3	5--2	5--1	5--0			

QUANTITY PER ASSY

PARTS LIST

THIS DRAWING IS A CONTROLLED DOCUMENT.

DWN J.SANDWELL 20MAR06
 CHK S.PARLOW 20MAR06
 APVD F.WHEELER-KING 20MAR06

tyco Electronics Tyco Electronics Corporation
 Bideford, UK, EX39 4HE

NAME: BNC BULKHEAD SOCKET EDGE MOUNT

PRODUCT SPEC: -
 APPLICATION SPEC: -
 WEIGHT: -

SIZE: A3 CAGE CODE: 00779 DRAWING NO: C-1634521 RESTRICTED TO: -

CUSTOMER DRAWING SCALE: NTS SHEET: 1 OF 1 REV: A