

THIS DRAWING IS UNPUBLISHED. RELEASED FOR PUBLICATION AUGUST, 2006.

© COPYRIGHT 2006 BY TYCO ELECTRONICS CORPORATION. ALL RIGHTS RESERVED.

LOC	DIST	REVISIONS					
E	B	P	LTR	DESCRIPTION	DATE	DWN	APVD
		A		FIRST ISSUE	17AUG06	JMS	FWK

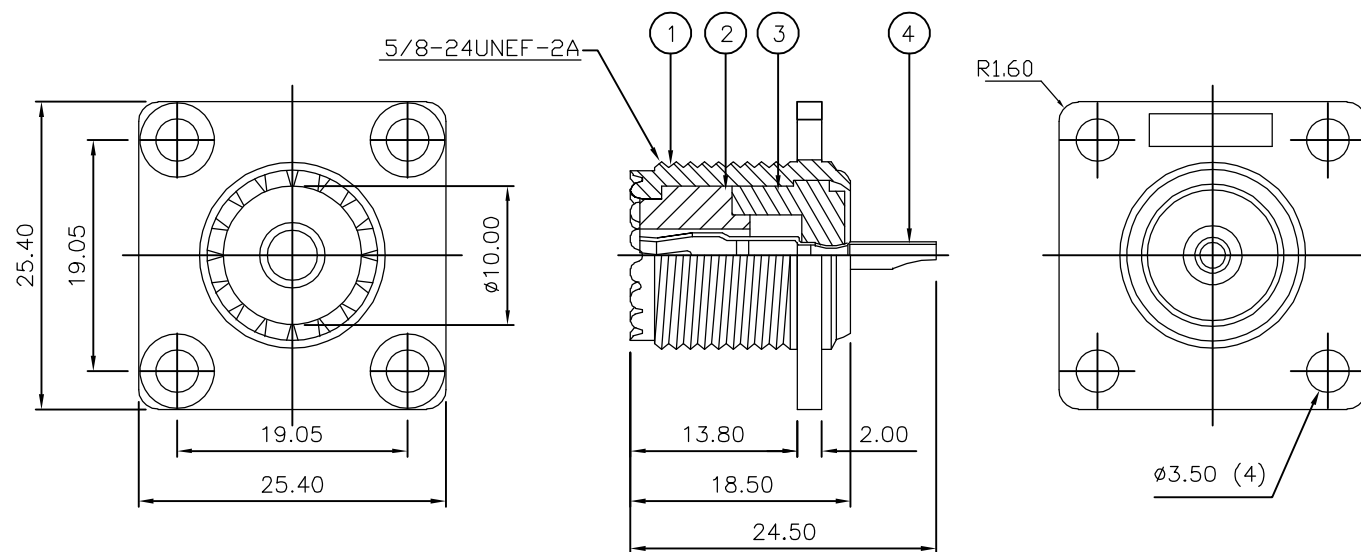
NOTES:

- 1 PACK IN ACCORDANCE WITH AMP SPEC 107-3275
- 2 100 TRAY PACK IN ACCORDANCE WITH AMP SPEC 107-3275
- 3 Au PLATING
- 4 Ni PLATING
- 5 ELECTRICAL CHARACTERISTICS

FREQUENCY RANGE:	DC - 500 MHz
NOMINAL IMPEDANCE:	Non Constant
INSULATION RESISTANCE:	5000 MOhm
WORKING VOLTAGE:	500 Volts RMS at Sea Level
DIELECTRIC WITHSTAND VOLTAGE:	1500 Volts RMS Max
CONTACT RESISTANCE:	
CENTRE CONTACT:	3.00 mOhm Max
OUTER CONTACT:	2.00 mOhm Max
- 6 MECHANICAL CHARACTERISTICS

DURABILITY:	50 Cycles Min
-------------	---------------
- 7 ENVIRONMENTAL CHARACTERISTICS

OPERATING TEMPERATURE:	-65 to +85 DegC
------------------------	-----------------
- 8 FOR TECHNICAL DATA REFER TO YOUR LOCAL TYCO ELECTRONICS SALES OFFICE
- 9 ALL DIMENSIONS ARE NOMINAL FOR REFERENCE ONLY UNLESS OTHERWISE STATED



	1	1	BRASS	3	CONTACT	4
	1	1	PBT		INSULATION	3
	1	1	PBT		INSULATION	2
	1	1	ZINC	4	BODY	1
	5--1	5--0	MATERIAL		DESCRIPTION	ITEM
	1	2				
QUANTITY PER ASSY		PARTS LIST				

THIS DRAWING IS A CONTROLLED DOCUMENT.		DWN J.SANDWELL 17AUG06	Tyco Electronics Corporation Bideford EX39 4HE															
DIMENSIONS: mm		CHK S.PARLOW 17AUG06																
TOLERANCES UNLESS OTHERWISE SPECIFIED:		APVD F.WHEELER-KING 17AUG06	NAME UHF PANEL SOCKET															
<table border="0"> <tr><td>0 PLC</td><td>± -</td></tr> <tr><td>1 PLC</td><td>± -</td></tr> <tr><td>2 PLC</td><td>± -</td></tr> <tr><td>3 PLC</td><td>± -</td></tr> <tr><td>4 PLC</td><td>± -</td></tr> <tr><td>ANGLES</td><td>± -</td></tr> </table>		0 PLC	± -	1 PLC	± -	2 PLC	± -	3 PLC	± -	4 PLC	± -	ANGLES	± -	PRODUCT SPEC -	-			
0 PLC	± -																	
1 PLC	± -																	
2 PLC	± -																	
3 PLC	± -																	
4 PLC	± -																	
ANGLES	± -																	
MATERIAL SEE TABLE		FINISH -	APPLICATION SPEC -	SIZE A3	CAGE CODE 00779	DRAWING NO C-1814816	RESTRICTED TO -											
CUSTOMER DRAWING			WEIGHT -	SCALE NTS	SHEET 1 OF 1	REV A												