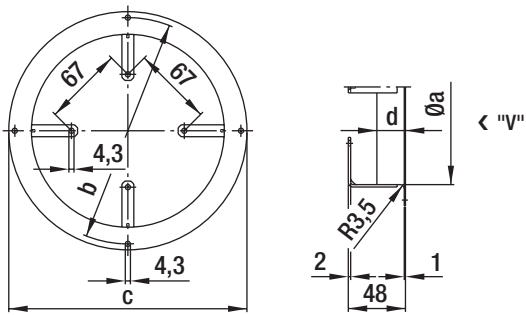


Accessories



- **Material:** sheet steel, plastic coated in RAL no. 7032, pebble-grey

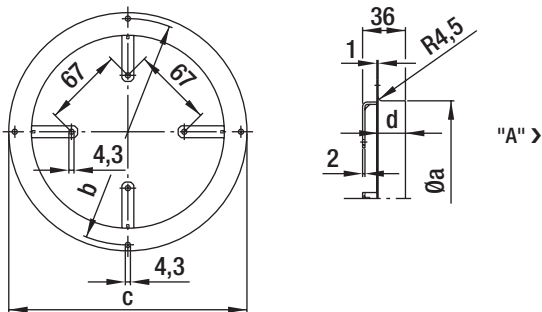
ebm-papst • Mulfingen

Wall rings for Q-motors and energy-saving motors (ESM), direction of air flow "V"

Part no.	Size	Max. blade angle α	a	b	c	d
52542-2-4037	154	34°	164	190	200	24
52543-2-4037	172	34°	182	208	223	24
52544-2-4037	200	34°	210	236	246	24
52545-2-4037	230	28°	240	266	276	24
52546-2-4037	254	28°	264	290	300	24
52547-2-4037 ⁽¹⁾	300	22°	308	344	356	24

subject to alterations

⁽¹⁾ when using the M4Q045-EF, blade angles of up to 34° are possible



- **Material:** sheet steel, plastic coated in RAL no. 7032, pebble-grey

ebm-papst • Mulfingen

Wall rings for Q-motors and energy-saving motors (ESM), direction of air flow "A"

Part no.	Size	Max. blade angle α	a	b	c	d
52550-2-4037	154	34°	162	190	200	24
52551-2-4037	172	34°	180	208	223	24
52552-2-4037	200	28°	208	236	246	24
52553-2-4037	230	28°	238	266	276	24
52554-2-4037	254	28°	262	290	300	24
52555-2-4037 ⁽¹⁾	300	22°	308	344	356	29

subject to alterations

⁽¹⁾ when using the M4Q045-EF, blade angles of up to 34° are possible