

4

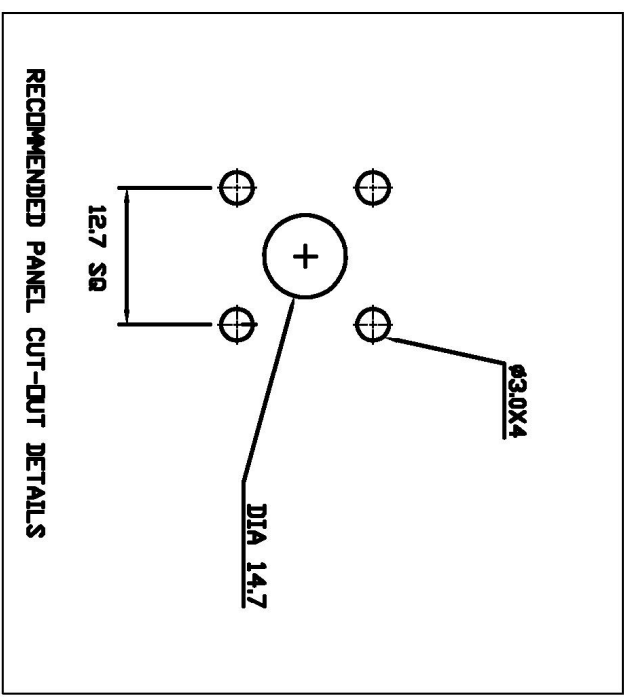
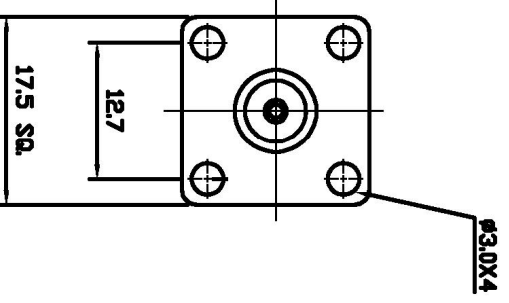
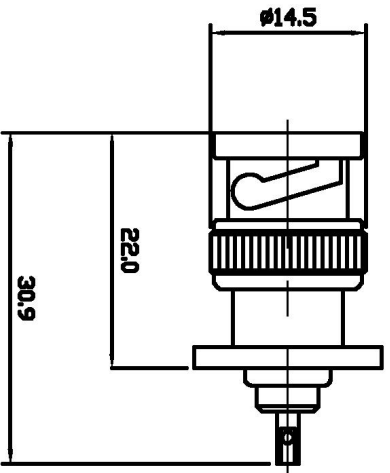
3

2

1

THIS DRAWING IS UNPUBLISHED. RELEASED FOR PUBLICATION 7-9-00
 COPYRIGHT 2000 BY TCO ELECTRONICS CORPORATION. ALL RIGHTS RESERVED.

LOC			REVISIONS		
E	B	P	DESCRIPTION	DATE	DMN
		B	EB00 - 0304 - 01	26-9-01	RG FWK



ALL DIMENSIONS ARE NOMINAL. FOR REFERENCE ONLY.

DIE SET PART NUMBER	N/A
HANDTOOL PART NUMBER	N/A
FOR USE ON CABLES	N/A
CONNECTOR PLATING DETAIL	SILVER
CONTACT PLATING DETAIL	SILVER
DIELECTRIC MATERIAL	PTFE
GASKET MATERIAL	WHITE SILICONE RUBBER

THIS DRAWING IS A CONTROLLED DOCUMENT.

DIMENSIONS: MM

TOLERANCES UNLESS OTHERWISE SPECIFIED:

0 P/C	±
1 P/C	±
2 P/C	±
3 P/C	±
4 P/C	±
5 P/C	±
6 P/C	±
7 P/C	±
8 P/C	±
9 P/C	±
10 P/C	±

MATERIAL: -

DMN	07-SEP-00
CHK	R. SMITH
APVD	R. GOODDALL
PRODUCT SPEC	108-3435
APPLICATION SPEC	-
WEIGHT	-
CUSTOMER DRAWING	-

DMN	DATE	DESCRIPTION	PART NUMBER
07-SEP-00	07-SEP-00	SINGLE ITEM	1-1337488-0
07-SEP-00	07-SEP-00	DESCRIPTION	PART NUMBER

PACK TYPE: BAG

NAME: **tyco**
 Tyco Electronics Corporation
 Stonnmore, Middlesex, HA7 4RS

SIZE: A3

CAGE CODE: 00779

DRAWING NO: 1337488

RESTRICTED TO: -