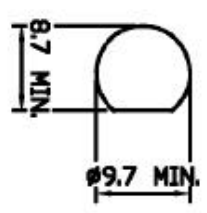
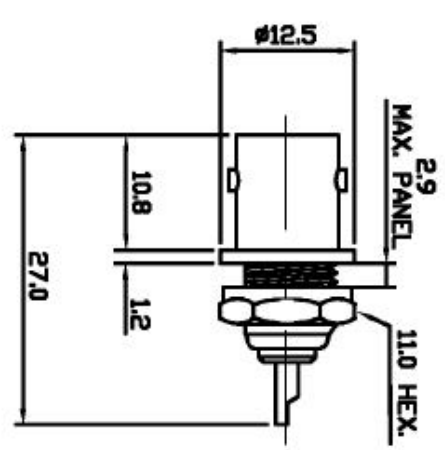


LOC		DIST		REVISIONS			
E	B	P	LTR	DESCRIPTION	DATE	BY	APPD
		B	B	EB00 - 0304 - 01	27-9-01	RG	FWK



MOUNTING HOLE

△ SUPPLIED SEMI-ASSEMBLED PACK CONTAINS LOOSE PIECES
VIEW SHOWS ASSEMBLED CONNECTOR

ALL DIMENSIONS ARE NOMINAL. FOR REFERENCE ONLY.

DIE SET PART NUMBER	N/A
HANDTOOL PART NUMBER	N/A
FOR USE ON CABLES	N/A
CONNECTOR PLATING DETAIL	SILVER
CONTACT PLATING DETAIL	SILVER
DIELECTRIC MATERIAL	PTFE
GASKET MATERIAL	N/A

THIS DRAWING IS A CONTROLLED DOCUMENT.

DIMENSIONS:	MM
TOLERANCES UNLESS OTHERWISE SPECIFIED:	
0 P/C	±
1 P/C	±
2 P/C	±
3 P/C	±
4 P/C	±
5 P/C	±
FINISH	±

DNM	07-SEP-00	NAME	Tyco Electronics Corporation
CHK	R.SMITH	ADDRESS	Stonemore, Middlesex, HA7 4NS
APPD	R.GOODDALL	PRODUCT SPEC	BNC BULKHEAD SOCKET 75 Ohm
		APPLICATION SPEC	w/o SOLDER TAG
REGRF		SIZE	A3
CUSTOMER DRAWING		QAGE CODE	00779
		DRAWING NO	1337493
		SCALE	NTS
		SHEET	1 OF 1
		REV	B