

THIS DRAWING IS UNPUBLISHED. RELEASED FOR PUBLICATION SEP, 2005.

© COPYRIGHT 2005 BY TYCO ELECTRONICS CORPORATION. ALL RIGHTS RESERVED.

LOC	DIST	REVISIONS					
E	B	P	LTR	DESCRIPTION	DATE	DWN	APVD
		C		ECR-05-011509	21SEP05	JMS	FWK

NOTES:

- 1 PACK IN ACCORDANCE WITH AMP SPEC 107-3275
- 2 100 TRAY PACK IN ACCORDANCE WITH AMP SPEC 107-3275
- 3 Ag PLATING
- 4 THIS ITEM MUST BE WHITE

5. HAND TOOL: 9-1478239-0

6. ELECTRICAL CHARACTERISTICS

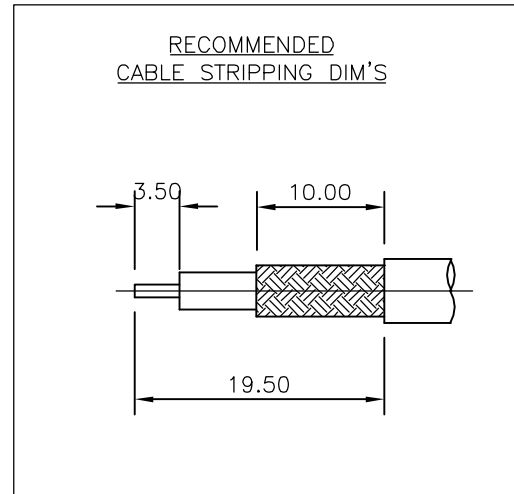
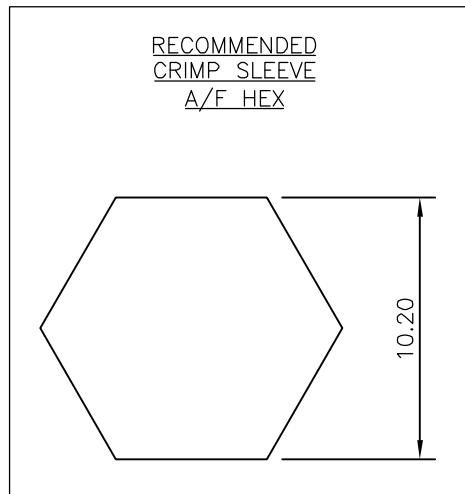
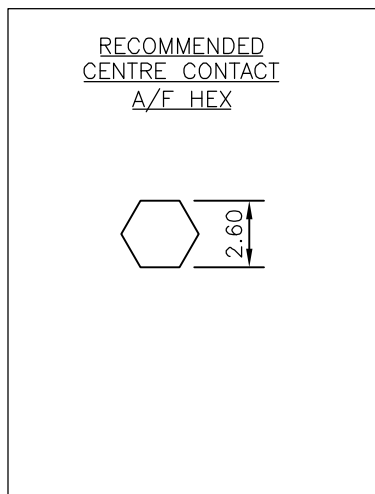
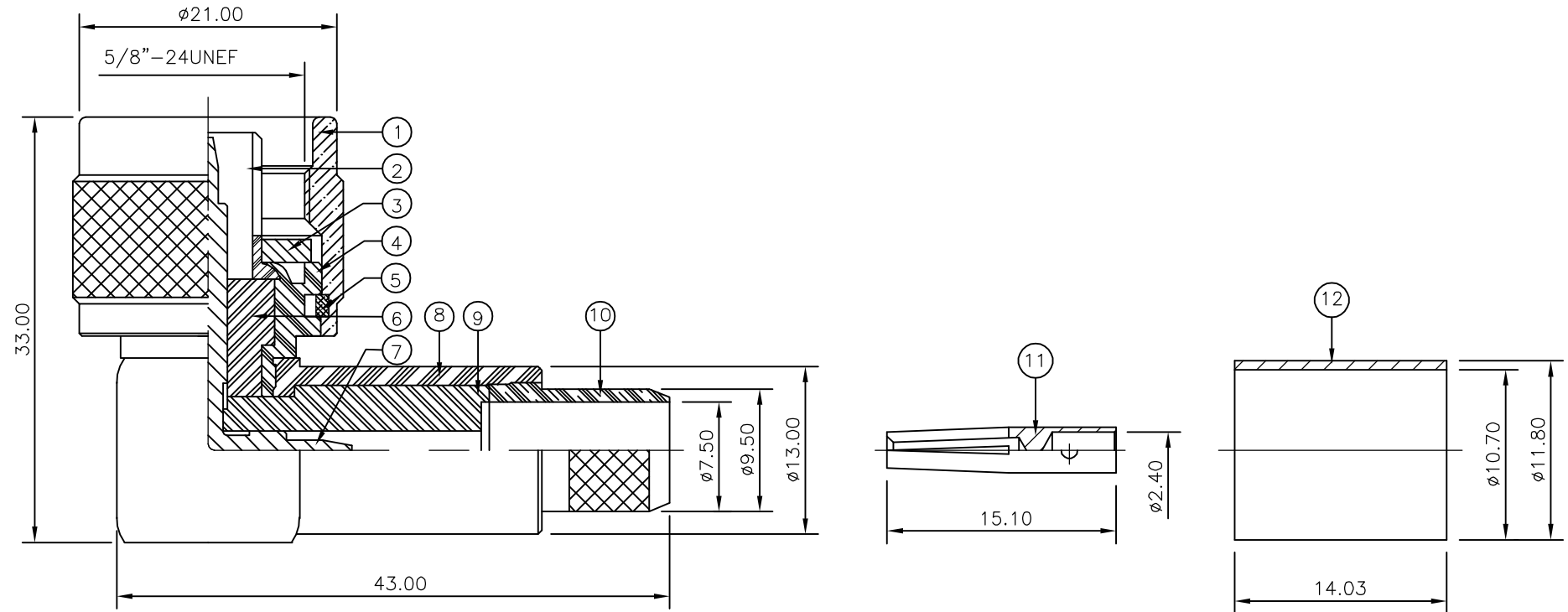
FREQUENCY RANGE: DC - 11 GHz
 NOMINAL IMPEDANCE: 50 Ohm
 INSULATION RESISTANCE: 5000 MOhm
 WORKING VOLTAGE: 1000 Volts RMS at Sea Level
 DIELECTRIC WITHSTAND VOLTAGE: 2500 Volts RMS Max
 CONTACT RESISTANCE:
 CENTRE CONTACT: 1.00 mOhm Max
 OUTER CONTACT: 1.00 mOhm Max
 VSWR @ 4GHz: 1.50:1 Max
 INSERTION LOSS dB @ x 4 GHz: 0.30 Max

7. MECHANICAL CHARACTERISTICS

COUPLING RETENTION FORCE: 445N Min
 CABLE RETENTION FORCE: 350N Min
 DURABILITY: 500 Cycles Min

8. ENVIRONMENTAL CHARACTERISTICS

OPERATING TEMPERATURE: -65 to +165 DegC



QTY	QTY PER ASSY	MATERIAL	DESCRIPTION	ITEM
1	1	BRASS	FERRULE	12
1	1	BRASS	CONTACT II	11
1	1	BRASS	CHASSIS	10
1	1	PTFE	INSULATION II	9
1	1	BRASS	BODY II	8
1	1	BRASS	CONTACT I	7
1	1	PTFE	INSULATION I	6
1	1	BRASS	CIRCLIP	5
1	1	BRASS	BODY I	4
1	1	SILICON RUBBER	GASKET	3
1	1	BRASS	OUTER CONTACT	2
1	1	BRASS	SHELL	1
6--0	1--0			
QUANTITY PER ASSY		PARTS LIST		

THIS DRAWING IS A CONTROLLED DOCUMENT.

DIMENSIONS: mm	TOLERANCES UNLESS OTHERWISE SPECIFIED:
	0 PLC ± -
	1 PLC ± -
	2 PLC ± -
	3 PLC ± -
	4 PLC ± -
	ANGLES ± -
MATERIAL SEE TABLE	FINISH SEE TABLE

DWN J.SANDWELL 21SEP05	<p>Tyco Electronics Corporation Bideford EX39 4HE</p>			
CHK S.PARLOW 21SEP05				
APVD F.WHEELER-KING 21SEP05				
PRODUCT SPEC 108-3435				
APPLICATION SPEC 411-3247	NAME TYPE-N ELBOW PLUG CRIMP 50 OHM PSF 1/4M, RG8A/U, 213/U, URM67, KX4			
WEIGHT -	SIZE A3	CAGE CODE 00779	DRAWING NO C-1337412	RESTRICTED TO -
CUSTOMER DRAWING		SCALE NTS	SHEET 1 OF 1	REV C