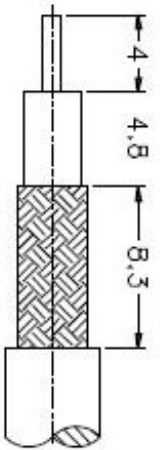
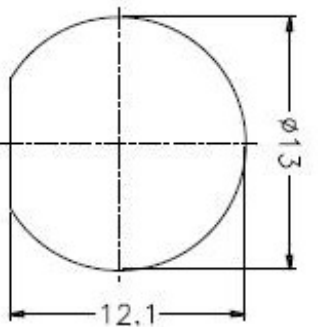


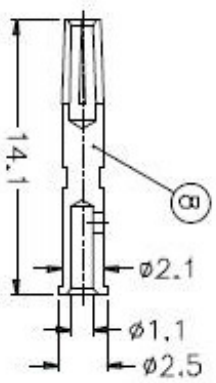
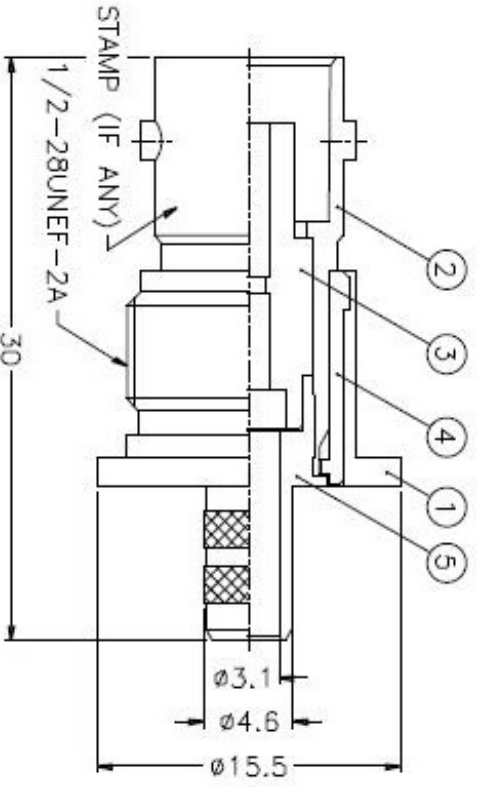
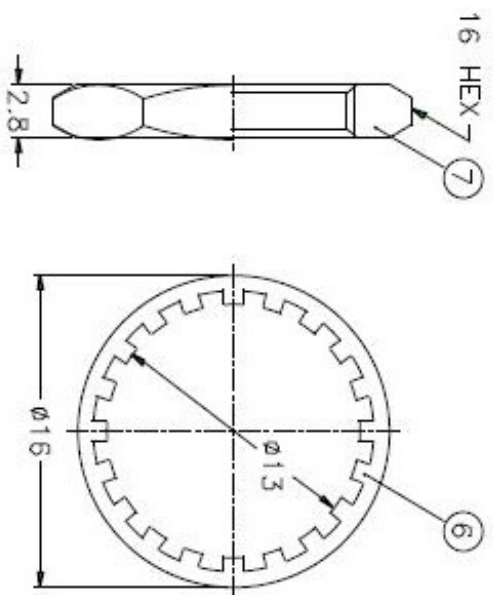
ISS	ZONE	DESCRIPTION \ PER REQUEST \ DATE



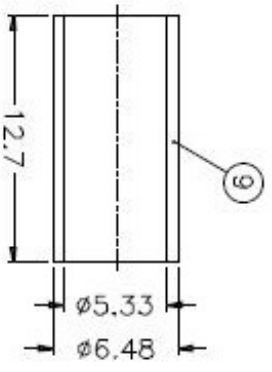
RECOMMENDED
CABLE STRIPPING DIM'S



RECOMMENDED
MOUNTING HOLE



1. CRIMPED FERRULE
2. CRIMPED CONTACT PIN



NOTES: FINISH (PLATING THICKNESS IN MICRO-INCHES)

1. BRASS PER QQ-B-626
2. BRASS PER QQ-B-513
3. NICKEL PL. 100 MIN. THICK OVER COPPER STRIKE
4. PHOSPHOR BRONZE PER QQ-B-750
5. GOLD PL. 3 MIN. THICK OVER NICKEL PL. 100 MIN. THICK OVER COPPER STRIKE
6. PTFE . MIL-P-19458

NO.	DESCRIPTION	MATERIAL	FINISH	Q'TY	DRAWING NO.
9	FERRULE	COPPER	NOTE 3	1	FR-648/533X 127C
8	CONTACT PIN	NOTE 4	NOTE 5	1	B74000-8-25/11
7	HEX NUT	NOTE 1	NOTE 3	1	HNI6-1/2-28X26
6	LOCK WASHER	NOTE 2	NOTE 3	1	LW-16/13X05
5	BARREL	NOTE 1	NOTE 3	1	B74040-5-46/31
4	INSULATOR	DELRIH	NATURAL	1	B74040-4
3	INSULATOR	NOTE 6	NATURAL	1	B74040-3T-50
2	BODY	NOTE 1	NOTE 3	1	B74040-2
1	HOUSING	NOTE 1	NOTE 3	1	B74040-1

DIMENSIONS ARE IN MILLIMETERS
UNLESS OTHERWISE SPECIFIED

TOLERANCES

- 0.5-6 = ± 0.2
- 6-30 = ± 0.4
- 30-120 = ± 0.6
- 120-315 = ± 1
- 315-1000 = ± 1.6
- 1000-2000 = ± 2.4

PART NO. B6721A1-NT3G-1-50

APPROVED DATE 10-11-01

CHECKED DATE 10-11-01

DRAWN DATE 10-11-01

Amphenol

TITLE BNC BULKHEAD CRIMP JACK
ISOLATED GROUND

DRAWING NO. KJ-B6721A1-NT3G-58CU-50

TDM NO.

1 2 3 4 5 6 7 8