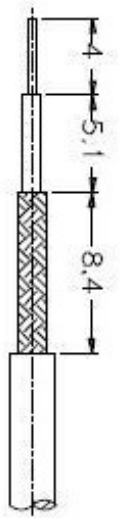
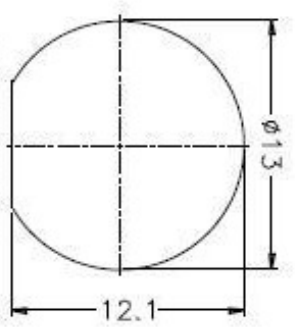


1 2 3 4 5 6 7 8

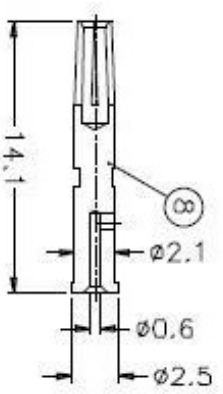
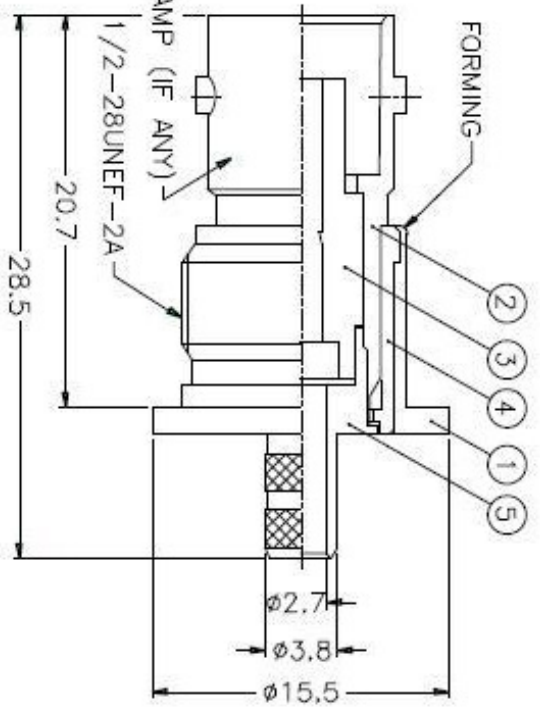
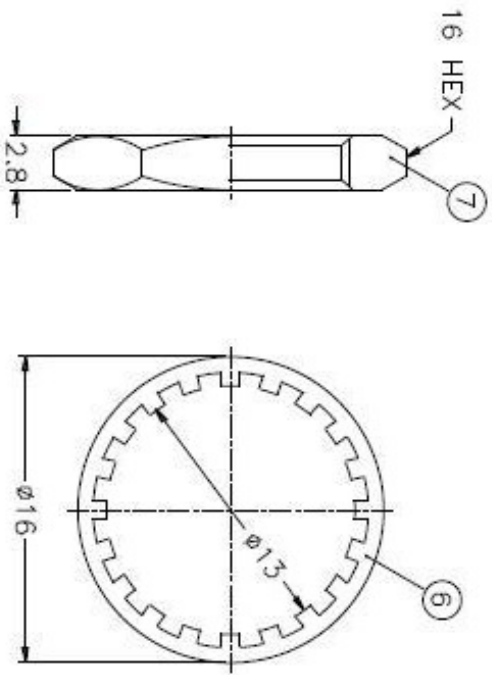
ISS	ZONE	DESCRIPTION\PER REQUEST\DATE



RECOMMENDED  
CABLE STRIPPING DIM'S



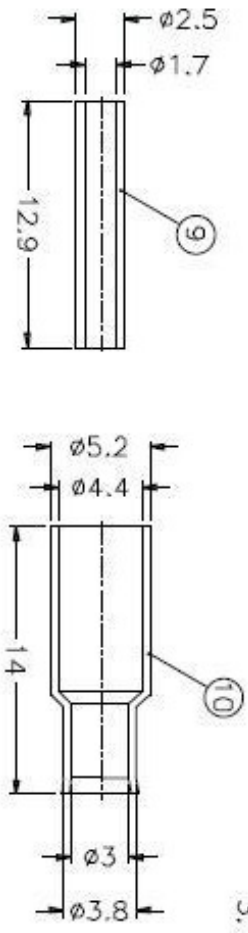
RECOMMENDED  
MOUNTING HOLE



NOTES: FINISH (PLATING THICKNESS IN MICRO-INCHES)

1. BRASS PER QQ-B-626
2. BRASS PER QQ-B-613
3. NICKEL PL. 100 MIN. THICK OVER COPPER STRIKE
4. PHOSPHOR BRONZE PER QQ-B-750
5. GOLD PL. 3 MIN. THICK OVER NICKEL PL. 100 MIN. THICK OVER COPPER STRIKE
6. PTFE MIL-P-19468
7. JIS H 3250, C 2700

1. CRIMPED FERRULE  
HEX CRIMP SIZE .178"
2. CRIMPED CONTACT PIN  
HEX CRIMP SIZE .068"
3. MAX. PANEL THICKNESS=6mm



10	FERRULE	NOTE 7	NOTE 3	1	FR-52/44-36/3 X14
9	SLEEVE	DELRIH	NATURAL	1	SL-25/17X129
8	CONTACT PIN	NOTE 4	NOTE 5	1	B74000-8-25/06
7	HEX NUT	NOTE 1	NOTE 3	1	HNI6-1/2-28X28
6	LOCK WASHER	NOTE 2	NOTE 3	1	LW-15/13X05
5	BARREL	NOTE 1	NOTE 3	1	B74042-5-36/27
4	INSULATOR	DELRIH	NATURAL	1	B74040-4
3	INSULATOR	NOTE 6	NATURAL	1	B74040-3T-50
2	BDDY	NOTE 1	NOTE 3	1	B74040-2-B
1	HOUSING	NOTE 1	NOTE 3	1	R66721E1-1

DIMENSIONS ARE IN MILLIMETERS  
UNLESS OTHERWISE SPECIFIED  
TOLERANCES

- 0.5-6 = ±0.2
- 6-30 = ±0.4
- 30-120 = ±0.6
- 120-315 = ±1
- 315-1000 = ±1.6
- 1000-2000 = ±2.4

PART NO. B6721E1-NT3G-5-50  
APPROVED DATE 10-11-01'  
CHECKED DATE 10-11-01'  
DRAWN DATE 10-11-01'

TITLE BNC BULKHEAD ISOLATED CRIMP JACK  
(FOR RG-174/U, 188A/U, 316/U)  
DRAWING NO. KJ-B6721E1-NT3G-316U-50  
TIBA NO.

# Amphenol

1 2 3 4 5 6 7 8