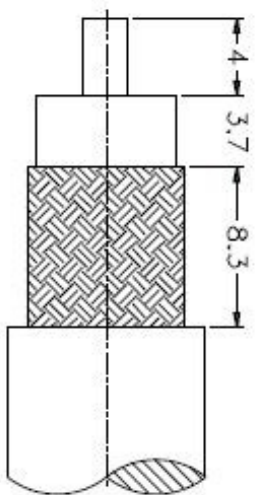
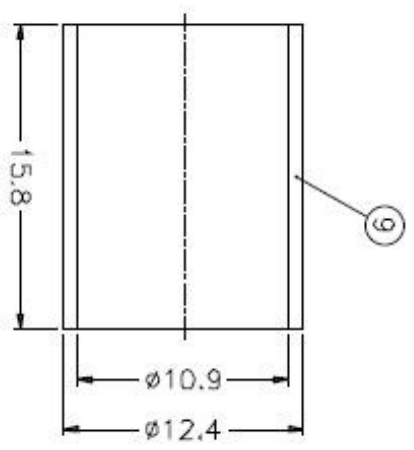
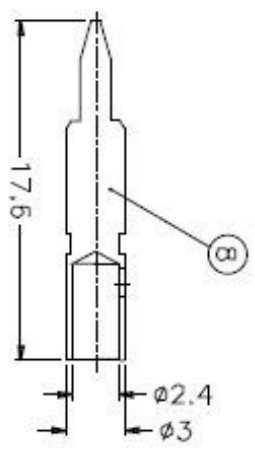
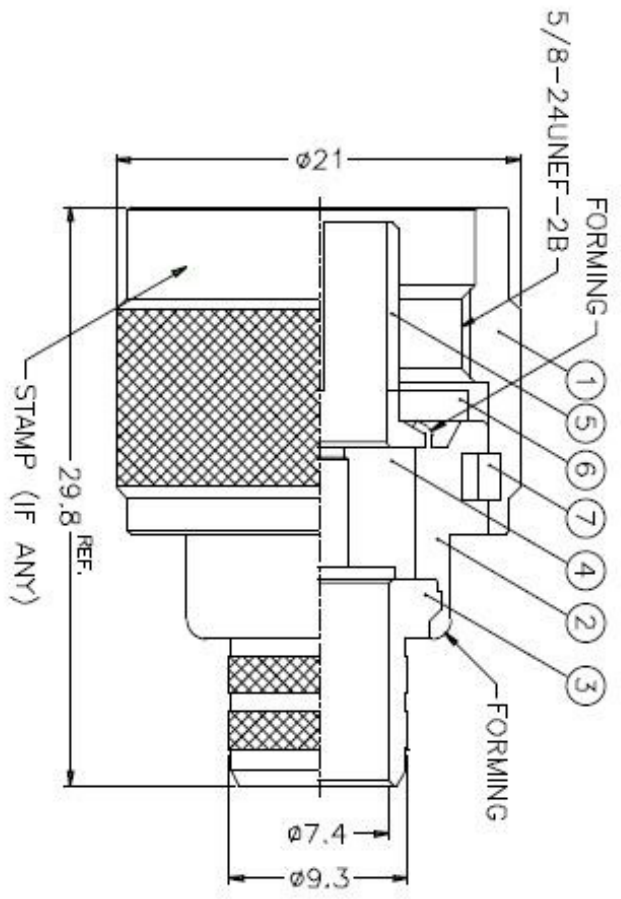


ISS	ZONE	DESCRIPTION \ PER REQUEST \ DATE



RECOMMENDED
CABLE STRIPPING DIM'S



NOTES: FINISH (PLATING THICKNESS IN MICRO-INCHES)
 1. BRASS PER 00-B-626
 2. NICKEL PL. 100 MIN. THICK OVER COPPER STRIKE
 3. GOLD PL. 3 MIN. THICK OVER NICKEL PL 100 MIN. THICK
 4. OVER COPPER STRIKE
 5. JIS H 3250, C 2700

1. CRIMPED FERRULE
 HEX CRIMP SIZE .429"
 2. CRIMPED CONTACT PIN
 HEX CRIMP SIZE .100"

NO.	DESCRIPTION	MATERIAL	FINISH	QTY	DRAWING NO.
1	SHELL	NOTE 1	NOTE 2	1	MS000-1-B
2	BODY	NOTE 1	NOTE 2	1	MS000-2
3	BARREL	NOTE 1	NOTE 2	1	MS000-3-93/74
4	INSULATOR	NOTE 4	NATURAL	1	MS000-4T-50-A
5	CONTACT BODY	NOTE 1	NOTE 2	1	MS000-5
6	GASKET	SILICONE	RED	1	GS-156/8X15
7	RETAINER RING	SUS 304	NATURAL	1	MS000-7-C
8	CONTACT PIN	NOTE 1	NOTE 3	1	MS000-8-3/24-C
9	FERRULE	NOTE 5	NOTE 2	1	FR-124/109X158

DIMENSIONS ARE IN MILLIMETERS	
UNLESS OTHERWISE SPECIFIED	
0.5-6	= ±0.2
6-30	= ±0.4
30-120	= ±0.6
120-315	= ±1
315-1000	= ±1.6
1000-2000	= ±2.4

PART NO.	N1121A1-NT3G-7-50
APPROVED	DATE 10-11-01'
CHECKED	DATE 10-11-01'
DRAWN	DATE 10-11-01'

TITLE	N CRIMP PLUG
DRAWING NO.	KJ-N1121A1-NT3G-213U-50
ITEM NO.	

Amphenol