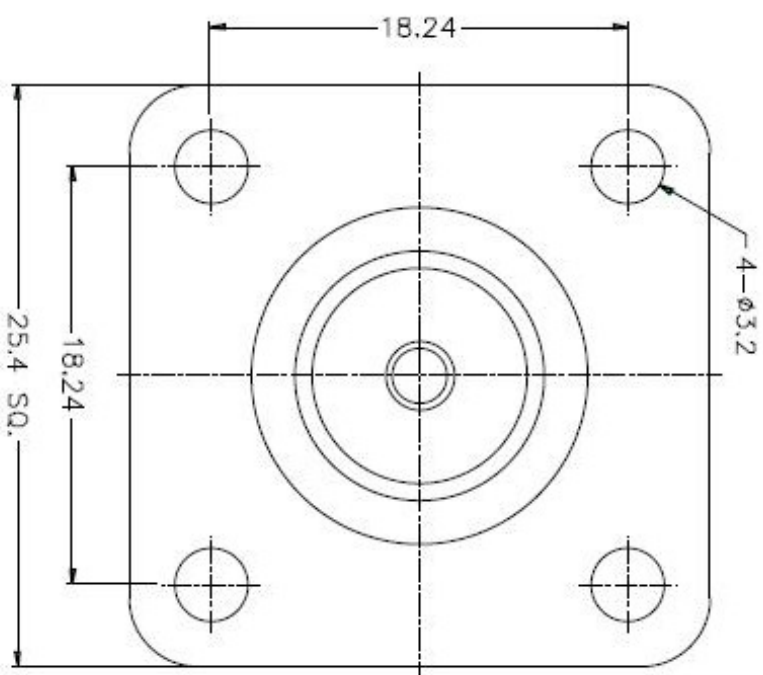
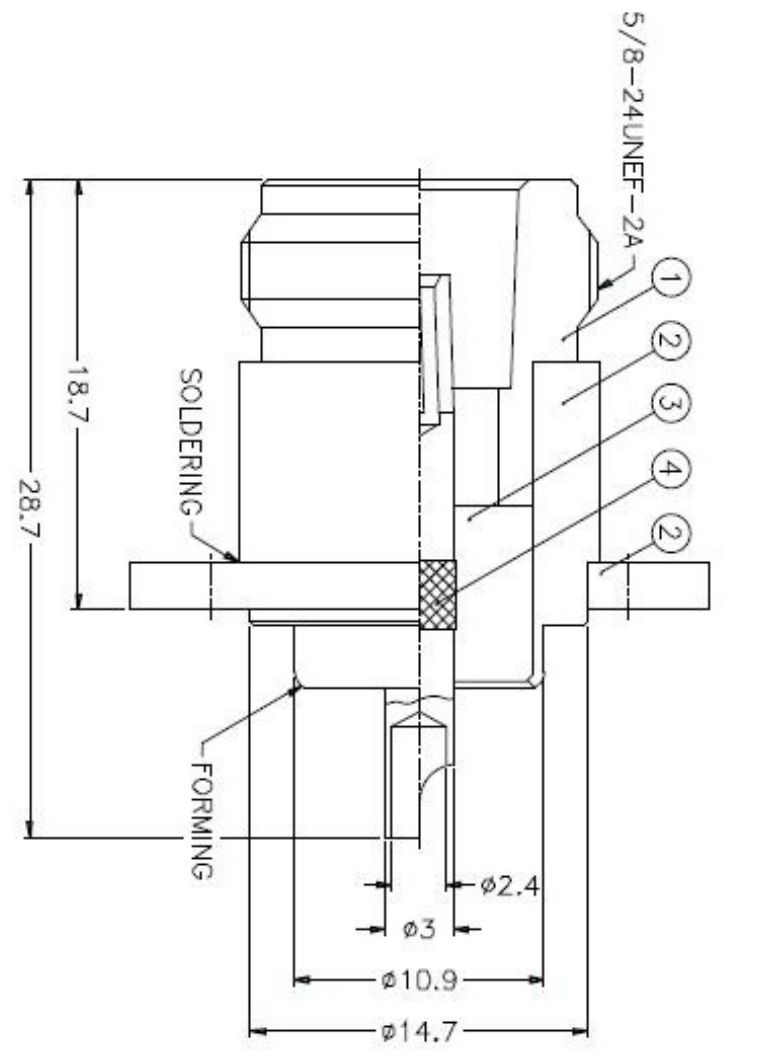


1	2	3	4	5	6	7	8
ISS ZONE		REVISIONS					
		DESCRIPTION \ PER REQUEST \ DATE					



- NOTES: FINISH (PLATING THICKNESS IN MICRO-INCHES)
1. BRASS PER QQ-B-626
  2. NICKEL PL. 100 MIN. THICK OVER COPPER STRIKE
  3. PHOSPHOR BRONZE PER QQ-B-750
  4. GOLD PL. 3 MIN. THICK OVER NICKEL PL. 100 MIN. THICK OVER COPPER STRIKE
  5. PTFE MIL-P-19468

4	CONTRACT PIN	NOTE 3	NOTE 4	1	N6551A1-4-B					
3	INSULATOR	NOTE 5	NATURAL	1	N6551A1-37-50					
2	HOUSING WITH PANEL	NOTE 1	NOTE 2	1	N6551A1-25					
1	BODY	NOTE 1	NOTE 2	1	N7900-4					
NO.	DESCRIPTION	MATERIAL	FINISH	QTY	DRAWING NO.	SCALE	3/1	ISSUE	A	FILE NO.

DIMENSIONS ARE IN MILLIMETERS  
UNLESS OTHERWISE SPECIFIED  
TOLERANCES

0.5-6	±0.2
6-30	±0.4
30-120	±0.6
120-315	±1
315-1000	±1.6
1000-2000	±2.4

PART NO.	N6551A1-NT3G-50
APPROVED	DATE 10-11-01*
CHECKED	DATE 10-11-01*
DRAWN	DATE 10-11-01*

<b>Amphenol</b>	
TITLE	N PANEL RECEPT. JACK
DRAWING NO.	KJ-N6551A1-NT3G-50
ITEM NO.	

A  
B  
C  
D  
E  
F  
1  
2  
3  
4  
5  
6  
7  
8