

THIS DRAWING IS UNPUBLISHED. RELEASED FOR PUBLICATION NOV ,2005.

© COPYRIGHT 2005 BY TYCO ELECTRONICS CORPORATION. ALL RIGHTS RESERVED.

LOC	DIST	REVISIONS					
E	B	P	LTR	DESCRIPTION	DATE	DWN	APVD
		C		ECR-05-016219	24NOV05	JMS	FWK

NOTES:

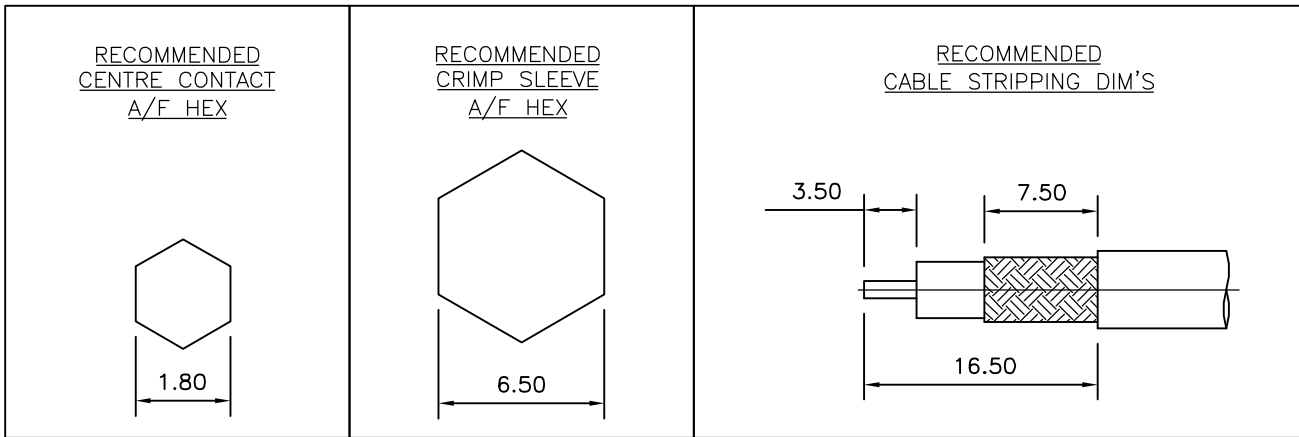
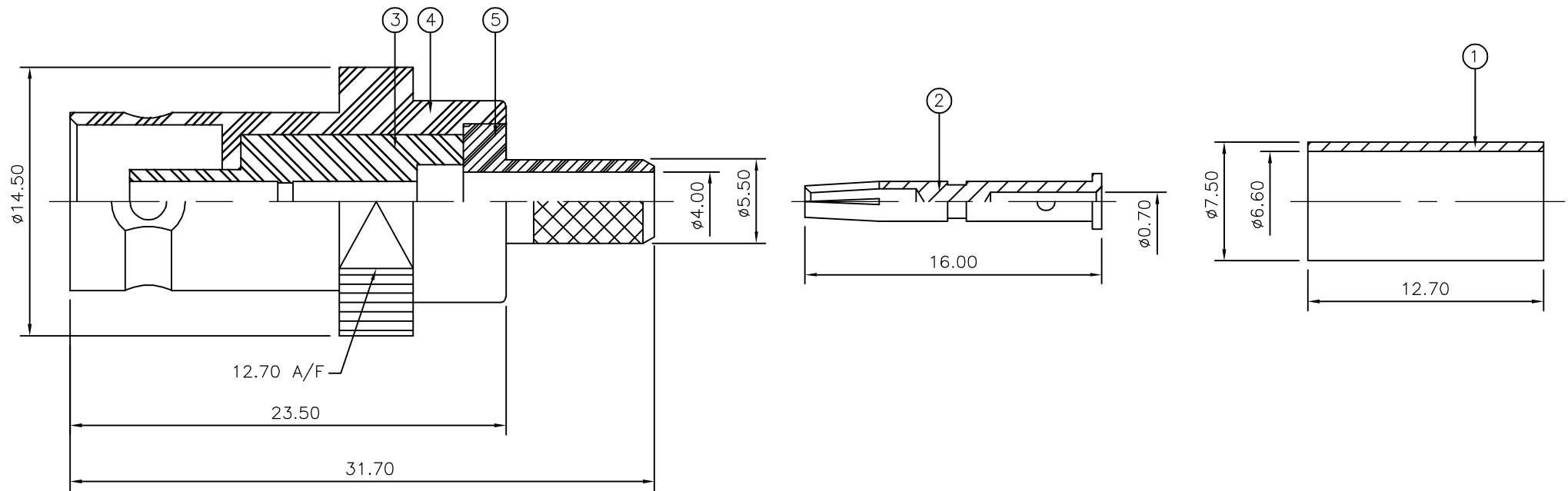
- 1 PACK IN ACCORDANCE WITH AMP SPEC 107-3275
- 2 100 TRAY PACK IN ACCORDANCE WITH AMP SPEC 107-3275
- 3 Ag PLATING

- 4 HAND TOOL : 9-1478240-0
- 5 DIE SET : 9-1478242-0

- 6 ELECTRICAL CHARACTERISTICS
  - FREQUENCY RANGE: DC - 2 GHz
  - NOMINAL IMPEDANCE: 75 Ohm
  - INSULATION RESISTANCE: 5000 MOhm
  - WORKING VOLTAGE: 500 Volts RMS at Sea Level
  - DIELECTRIC WITHSTAND VOLTAGE: 1500 Volts RMS Max
  - CONTACT RESISTANCE:
    - CENTRE CONTACT: 1.50 mOhm Max
    - OUTER CONTACT: 0.20 mOhm Max
  - VSWR @ 2GHz: 1.20:1 Max
  - INSERTION LOSS dB @ x 2 GHz: 0.20 Max

- 7 MECHANICAL CHARACTERISTICS
  - COUPLING RETENTION FORCE: N/A
  - CABLE RETENTION FORCE: 170N Min
  - DURABILITY: 500 Cycles Min

- 8 ENVIRONMENTAL CHARACTERISTICS
  - OPERATING TEMPERATURE: -65 to +165 DegC



	1	1	BRASS	⚠	CHASSIS	5
	1	1	BRASS	⚠	BODY	4
	1	1	PTFE		INSULATION	3
	1	1	BRASS	⚠	CONTACT	2
	1	1	BRASS	⚠	FERRULE	1
	6--0	1--0	MATERIAL		DESCRIPTION	ITEM
	⚠	⚠				

QUANTITY PER ASSY		PARTS LIST			
DWN		Tyco Electronics Corporation			
J.SANDWELL		Bideford EX39 4HE			
CHK		NAME			
S.PARLOW		BNC STRAIGHT JACK CRIMP 75 OHM			
APVD		RG59B/U, 62A/U, 140/U, 210/U, URM90,			
F.WHEELER-KING		KX6A, KX25, KX52, KX53			
SIZE	CAGE CODE	DRAWING NO	RESTRICTED TO		
A3	00779	C-1337444	-		
CUSTOMER DRAWING		SCALE	SHEET	OF	REV
		NTS	1	1	C

THIS DRAWING IS A CONTROLLED DOCUMENT.		DWN	24NOV05
DIMENSIONS: mm		CHK	24NOV05
TOLERANCES UNLESS OTHERWISE SPECIFIED:		APVD	24NOV05
0 PLC ± -		NAME	
1 PLC ± -		F.WHEELER-KING	
2 PLC ± -		PRODUCT SPEC	
3 PLC ± -		108-3435	
4 PLC ± -		APPLICATION SPEC	
ANGLES ± -		411-3247	
FINISH -		WEIGHT -	
MATERIAL SEE TABLE		CUSTOMER DRAWING	