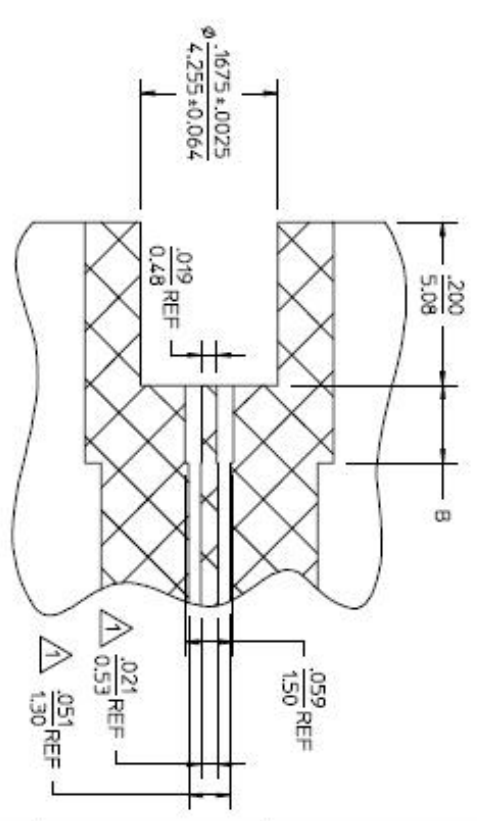
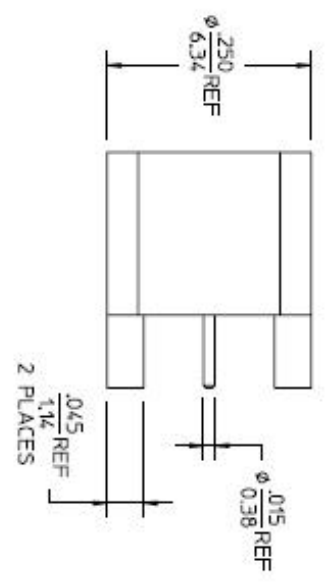
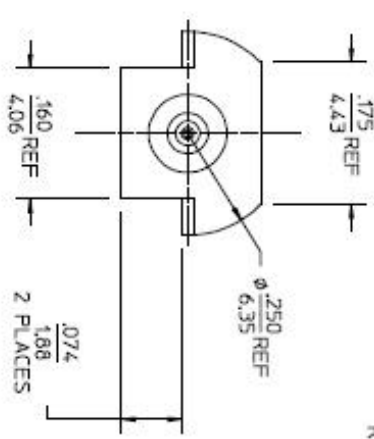
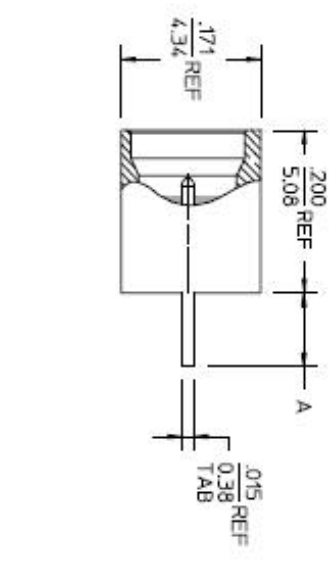


MATERIALS AND FINISHES

BODY: BRASS
 PLATED: GOLD
 CENTER CONTACT: BRASS
 PLATED: GOLD
 INSULATOR: PTFE



△ DIMENSIONS APPLICABLE FOR ROGERS 4350
 PCB MATERIAL ONLY



PS-89675-3320	PRODUCT SPECIFICATION
MIL-STD-348A FIG. 326-3	INTERFACE SPECIFICATION
SPECIFICATION	DESCRIPTION

73415-3591	.050 REF	1.27 REF	.055	1.40
73415-3590	.090 REF	2.29 REF	.095	2.41
	INCH	MM	INCH	MM

PART NUMBER	DIM A	DIM B	1	A3
			SHT	REV
			1	1
			1	1
			1	1

REV	DESCRIPTION
A3	CHG: ADDED 'LIMITED DETENT' TO TITLE EC NO. URF-1986 DRWN: SSS 01/30/04 CHK: TEF 01/30/04 APPR: JDW 01/30/04
A2	CHG: ADDED PS-89675-3320 EC NO. URF-1378 DRWN: TEF 01/14/02 CHK: SSS 01/14/02 APPR: GMH 01/14/02
A1	CHG: TABULATED DIMS A AND B. ADDED -3591 EC NO. URF-1303 DRWN: SSS 10/11/01 CHK: TEF 10/11/01 APPR: GMH 10/11/01

- UNLESS OTHERWISE SPECIFIED DIMS ARE INCHES AND ANGLES ARE DEGREES.
1. 7.63 ALL OVER.
 2. NO CHATTER OR NON-UNIFORM SURFACE FINISH ALLOWED.
 3. PARTS TO BE FREE OF BURRS & SHARP EDGES .005 MAX BREAK.
 4. EXTERNAL THREADS TO BE ROLLED OR SINGLE POINT.
 5. DIAMETERS TO BE CONCENTRIC WITHIN .003 TR.

QUALITY SYMBOLS	GENERAL TOLERANCES (UNLESS SPECIFIED)
MAJOR	mm
MINOR	INCH
CRTICAL	4 PLACES ± .0005
	3 PLACES ± .005
	2 PLACES ± .01
	1 PLACE ± .1
	ANGULAR: ± 2°

SCALE	DESIGN UNITS
DRAWN BY & DATE	mm <input type="checkbox"/> INCH <input checked="" type="checkbox"/>
SSS 07/18/01	
CHECKED BY & DATE	TITLE:
TEF 07/18/01	SMP PLUG, STR, EDGE MOUNT
APPROVED BY & DATE	LIMITED DETENT - SMP-P/PCB
GMH 07/18/01	

MATERIAL NO.	DRAWING NO.	SHEET NO.
SEE NOTE	SD-73415-359	1 of 1
		1
		1
		1