

LENS MOUNTS FOR 3mm & 5mm LEDs



Visibility:

CLIPLITE[®] lenses produce up to 180 degrees of viewing angle using standard 3mm and 5mm LEDs.

Brightness:

The CLIPLITE[®] lens utilizes striated lines and fresnel rings to increase apparent brightness up to 125% and viewing angle up to 180 degrees with either diffused or nondiffused LEDs. A low profile lens without rings or lines is available for direct sunlight applications.

Protection:

CLIPLITE[®] lenses help prevent IC failures caused by electrostatic discharge (ESD). Simply walking across a carpet can generate 10,000 volts. Introduction of this ESD through an exposed panel mounted LED is capable of damaging or destroying a semiconductor. A CLIPLITE[®] mounted LED helps guard components from ESD up to 16kV while affording the LED physical protection.

Installation:

CLIPLITE[®], standard or low profile, requires no assembly tools; just snap into a panel opening and insert LED. Cost effective operation is complete in only 6 seconds.

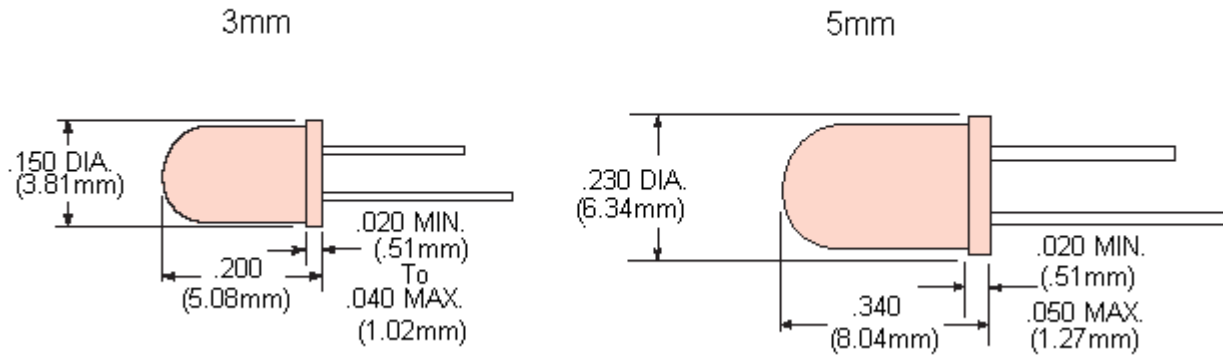
Specifications:

- Material** : Lense - polycarbonate
Spacer - Polypropylene. (U.L. listed materials).
- Design** : Standard and low profile lenses with fresnel rings and striated lines. CLR 301 Low Profile Lens is available without fresnel rings.
- Mounting** : Mounts through front of panel. Mounting holes should be deburred but not chamfered. 3mm (SML 190, SMB 200) mounts in a $.171 \frac{1}{2} \pm .002 \frac{1}{2}$ (4.34mm) hole on $1/4 \frac{1}{2}$ centers. Panel thickness for SML 190, $1/32 \frac{1}{2}$ to $1/16 \frac{1}{2}$; SMB 200, $1/16 \frac{1}{2}$ to $1/8 \frac{1}{2}$. 5mm (CLF 280, CLB 300, CLR 301) mounts in a $.250 \frac{1}{2} \pm .002 \frac{1}{2}$ (6.35mm) hole on $3/8 \frac{1}{2}$ centers. Panel thickness for CLF 280, $1/16 \frac{1}{2}$ to $1/8 \frac{1}{2}$; CLB 300 and CLR 301, $1/32 \frac{1}{2}$ to $1/4 \frac{1}{2}$; for panels less than $3/16 \frac{1}{2}$, use SPC 125 spacer.
Lens retaining ring - available for added security (RNG 190, 3mm & RNG 268, 5mm).

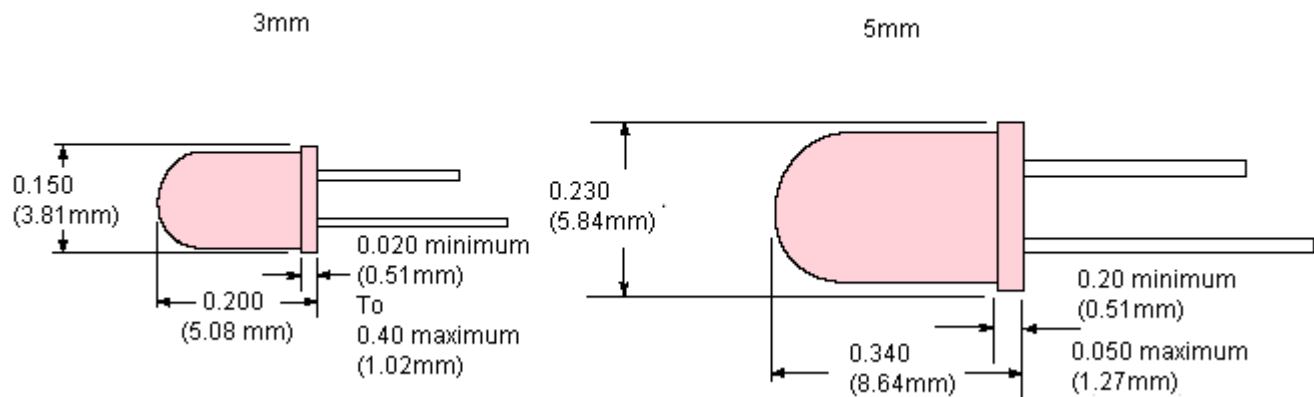
LENS MOUNTS FOR 3mm & 5mm LEDs



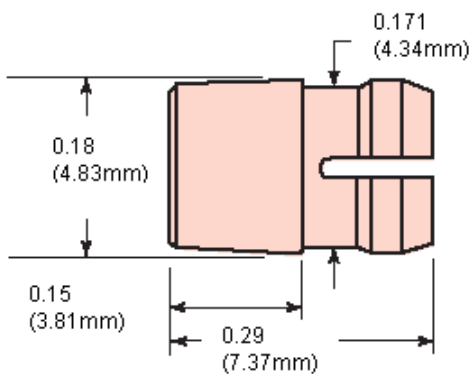
Simple Two-Step Installation



Recommended LEDs



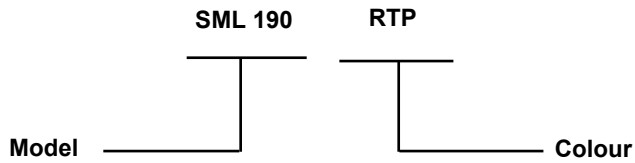
Outline Drawings



LENS MOUNTS FOR 3mm & 5mm LEDs



Ordering Codes



SML 190 (3mm) Std. Hgt.

RTP Red Transparent
CTP Clear Transparent

Part Number Table

Description	Part Number
Lens/Mount, Red	SML190RTP
Lens/Mount, CLR	SML190CTP

Disclaimer This data sheet and its contents (the "Information") belong to the Premier Farnell Group (the "Group") or are licensed to it. No licence is granted for the use of it other than for information purposes in connection with the products to which it relates. No licence of any intellectual property rights is granted. The Information is subject to change without notice and replaces all data sheets previously supplied. The Information supplied is believed to be accurate but the Group assumes no responsibility for its accuracy or completeness, any error in or omission from it or for any use made of it. Users of this data sheet should check for themselves the Information and the suitability of the products for their purpose and not make any assumptions based on information included or omitted. Liability for loss or damage resulting from any reliance on the Information or use of it (including liability resulting from negligence or where the Group was aware of the possibility of such loss or damage arising) is excluded. This will not operate to limit or restrict the Group's liability for death or personal injury resulting from its negligence. SPC Multicomp is the registered trademark of the Group. © Premier Farnell plc 2009.

<http://www.farnell.com>
<http://www.newark.com>
<http://www.cpc.co.uk>

