

Spezifikation für Freigabe / specification for release

Kunde / customer : _____

Artikelnummer / part number : **7427711**

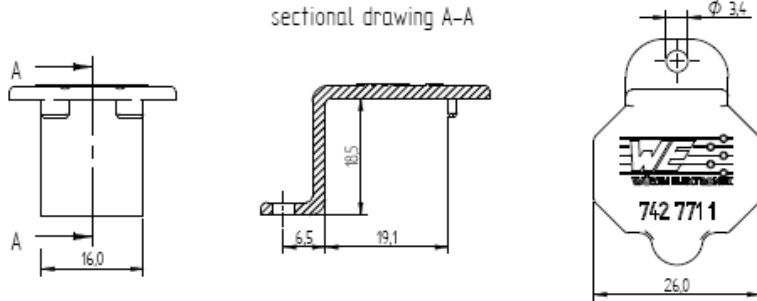


Bezeichnung : **STAR-CLIP Befestigung für STAR-TEC Klappferrite**
 description : **STAR-CLIP Fixing for STAR-TEC Snap Ferrites**

DATUM / DATE : 2008-07-10

A Mechanische Abmessungen / dimensions:

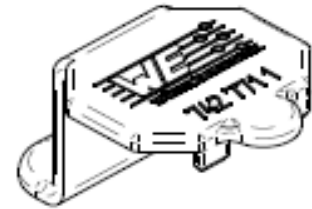
for 74271111 / 74271112



B Elektrische Eigenschaften / electrical properties:

C Bild / picture:

Eigenschaften / properties	Testbedingungen / test conditions	Wert / value	Einheit / unit	Tol.



D Prüfgeräte / test equipment:

E Testbedingungen / test conditions:

Luftfeuchtigkeit / humidity: 33%
 Umgebungstemperatur / temperature: + 20°C

F Werkstoffe & Zulassungen / material & approvals:

G Eigenschaften / general specifications:

Kunststoff / plastic material: PA 66
 UL-Zulassungen / UL-approval: UL94-V0 / E96725

Betriebstemp. / operating temperature: -55°C ~ +125°C

Freigabe erteilt / general release:	Kunde / customer		
.....	Unterschrift / signature		
Datum / date	Würth Elektronik		
.....	Kontrolliert / approved		
Geprüft / checked	SMU	Version 1	08-07-10
	Name	Änderung / modification	Datum / date

This electronic component has been designed and developed for usage in general electronic equipment. Before incorporating this component into any equipment where higher safety and reliability is especially required or if there is the possibility of direct damage or injury to human body, for example in the range of aerospace, aviation, nuclear control, submarine, transportation, (automotive control, train control, ship control), transportation signal, disaster prevention, medical, public information network etc, Würth Elektronik eiSos GmbH must be informed before the design-in stage. In addition, sufficient reliability evaluation checks for safety must be performed on every electronic component which is used in electrical circuits that require high safety and reliability functions or performance.

Würth Elektronik eiSos GmbH & Co. KG

D-74638 Waldenburg · Max-Eyth-Strasse 1 - 3 · Germany · Telefon (+49) (0) 7942 - 945 - 0 · Telefax (+49) (0) 7942 - 945 - 400
<http://www.we-online.com>