



- Polyamide hand enclosure for automation and control engineering
- Version with handle and integrated cable exit
- Large fitting space

**Technical data**

**Material:**  
 polyamide  
 front plate: polystyrol

**Ingress protection:**  
 IP 65, EN 60529

**Impact resistance:**  
 > 7 Joule, DIN 50014

**Flammability:**  
 HB / UL 94

**Colour:**  
 RAL 1021, rape yellow

**Temperature range:**  
 -40°C to +60°C

**Included in delivery**  
 Enclosure with handle, including cable gland M 20 x 1.5, front panel, enclosure and front panel screws, and wall holder

# Pilot 110 - 150

## Programme range

Enclosure type	Order No.	Encl. dimensions incl. handle		Front panel dimensions		Mounting depth (mm)
		W	L x H (mm)	W x H (mm)		
Pilot 110	<b>29.21 10 00</b>	85	85 x 191	77 x 77		63,5
Pilot 120	<b>29.21 20 00</b>	115	85 x 191	107 x 77		63,5
Pilot 130	<b>29.21 30 00</b>	85	115 x 221	77 x 107		63,5
Pilot 140	<b>29.21 40 00</b>	160	105 x 211	152 x 97		63,5
Pilot 150	<b>29.21 50 00</b>	105	160 x 266	97 x 152		63,5

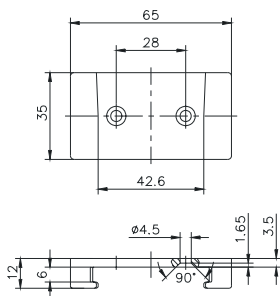
## Accessories

Magnetic holder (for Pilot 120 - 150)	<b>29.00 00 80</b>
Push button and switches see page 53 - 58	on request



### Electromechanical components

On request, we can supply equipment fitted with electro-mechanical components such as emergency stop button, acknowledge keys, hand wheel, switches, display



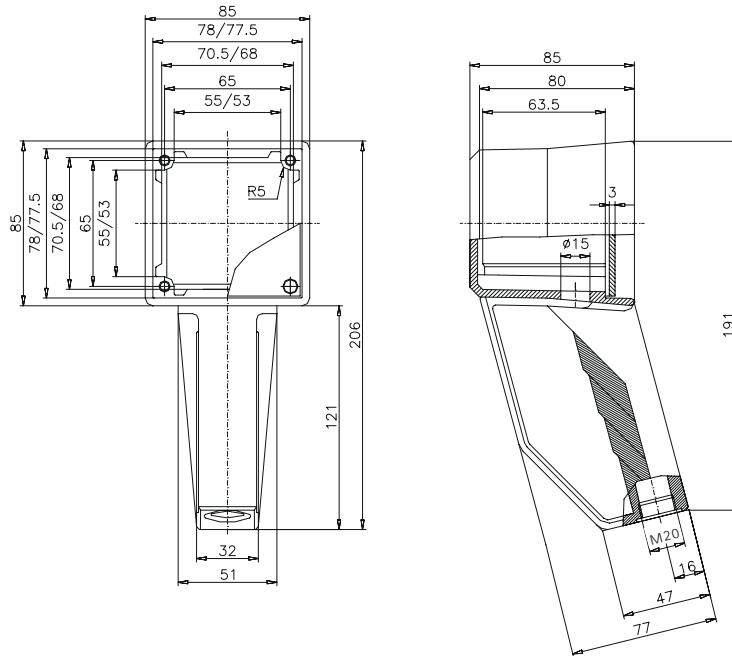
### Wall holder

included in delivery

Dimensions

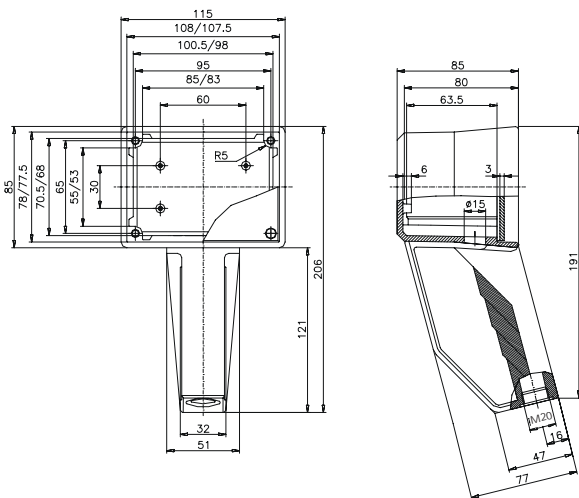


Type	Order No.	Weight (kg)
Pilot 110	<b>29.21 10 00</b>	0,307

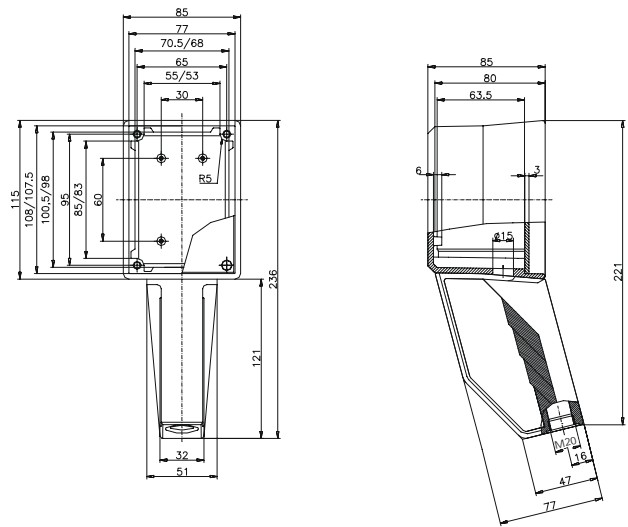


Type	Order No.	Weight (kg)
Pilot 120	<b>29.21 20 00</b>	0,341
Pilot 130	<b>29.21 30 00</b>	0,341

Pilot 120



Pilot 130



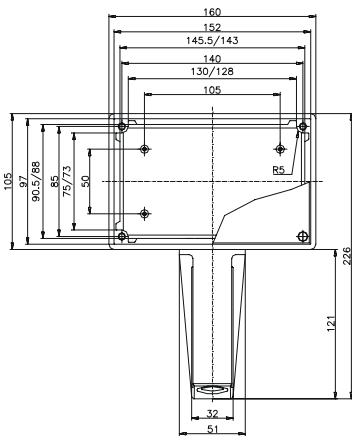
# Pilot 110 - 150

## Dimensions

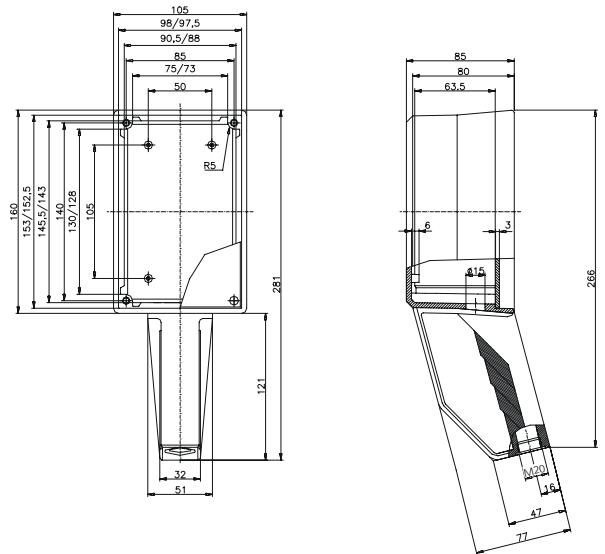


Type	Order No.	Weight (kg)
Pilot 140	<b>29.21 40 00</b>	0,434
Pilot 150	<b>29.21 50 00</b>	0,434

**Pilot 140**



**Pilot 150**



## Accessories



**Magnetic holder**  
for Pilot 120 - 150, self-adhesive  
dimensions: 90 x 30 x 7.5 mm

Order No. **29. 00 00 80**