

DC axial fan

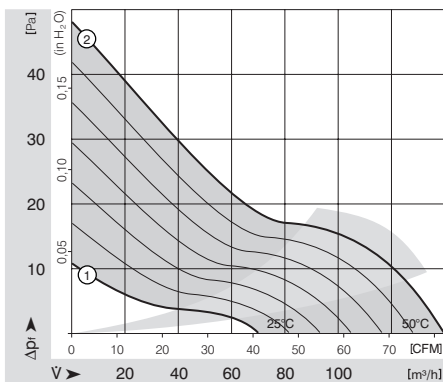
Series 4300 VARIOFAN 119 x 119 x 32 mm



- **General description:** DC fan with electronically commutated external rotor motor. Commutation electronics completely integrated. Speed control using temperature sensor.
- **Impeller material:** Fiberglass-reinforced PA plastic
- **Housing material:** Fiberglass-reinforced PBTP plastic

Nominal data		Voltage	Voltage range VDC	Air flow	Speed	Power consumption	Sound level	Sound pressure level	Ambient temperature	L10 service life at 40 °C	L10 service life at max. temp.	Weight
Type	Motor	VDC	VDC	m³/h	1/min	W	Bel	dB(A)	°C	h	h	kg
4312 MV	--	12	8 - 15	140	2300	3.0	5.3	39	-20 .. 65	70000	40000	0.220
Subject to modification												

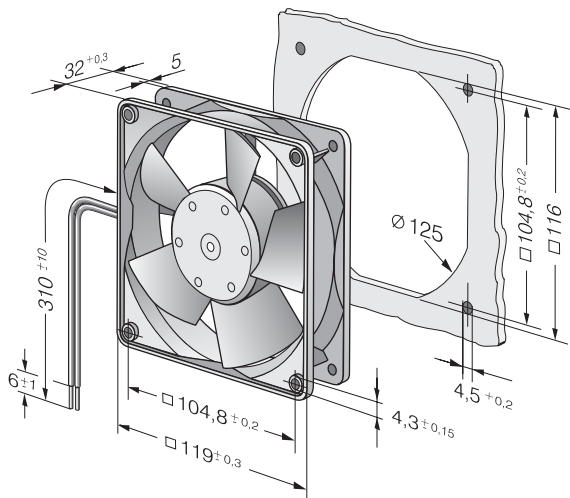
Characteristic: Pressure over air flow



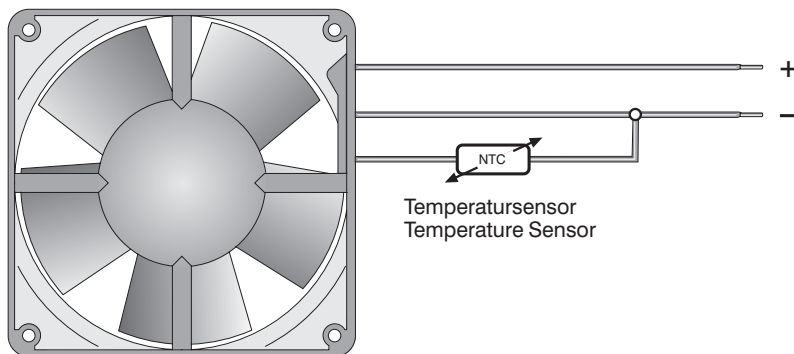
DC axial fan

Series 4300 VARIOFAN 119 x 119 x 32 mm

Specific drawing



Connection illustration



Technical description

- **General description:** DC fan with electronically commutated external rotor motor. Commutation electronics completely integrated. Speed control using temperature sensor.
- **Housing material:** Fiberglass-reinforced PBTP plastic
- **Direction of rotation:** Right, looking at rotor
- **Electrical connection:** 2 single strands AWG 22, TR 64
- **Blocking protection:** Blocking and overload protection
- **Option:** Alarm signal
- **Impeller material:** Fiberglass-reinforced PA plastic
- **Bearings:** Ball bearings
- **Direction of flow:** Air exhaust over bars
- **Motor protection:** Reverse-polarity protected. The fan runs only if the polarity is correct.
- **Approvals:** VDE, CSA, UL, CE

Contact

ebm-papst St. Georgen GmbH & Co. KG
Hermann-Papst-Straße 1
D-78112 St. Georgen
Phone +49 (0) 7724 / 81-0
Fax +49 (0) 7724 / 81-1309
info2@de.ebmpapst.com
www.ebmpapst.com