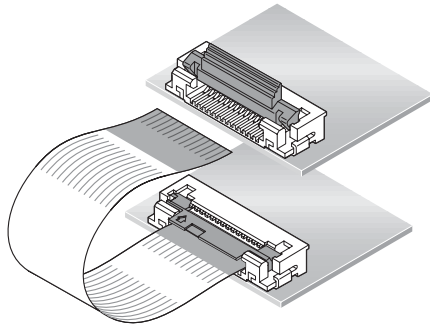


# 0.50mm (.020") Pitch Premo-Flex™ Flat Flex Cable Jumpers

**98266**  
Standard



Molex introduces a complete line of 0.50mm (.020") pitch Flat Flex Cable jumpers. These jumpers are used to connect 2 PC boards and terminate to either ZIF or Non-ZIF FFC connectors.

Molex 0.50mm (.020") Flat Flex Cable jumpers are available in a wide variety of lengths and circuit sizes. These standard lengths are easy to order and feature shorter lead times.

We are also able to offer customized lengths and circuit sizes.

### Reference Information

Product Specification: PS-98266-001

Packaging: Box

UL Style No.: 20706

Mates With: Any 0.50mm (.020") Pitch Molex FFC/FPC connector

Designed In: Millimeters

### Electrical

Voltage: 60V

Current: 0.5A

### Physical

Strip Length: 4.0mm (.157")

Reinforcement Length: 8.0mm (.315")

Width: (N + 1) 0.50mm

Span: (N - 1) 0.50mm

Margin: 0.35mm (.014")

Conductor Width: 0.30mm (.012")

Conductor Thickness: 0.10mm (.004")

End Thickness: 0.30 ± 0.05mm (.012 ± .002")

Temperature: -40 to +105°C

## Type D Jumpers—Contacts on opposite sides (Preferred version in Europe)

Circuits	Order No.											Lead-free
	Overall Length											
	30 mm (1.181")	51 mm (2.00")	76mm (3.00")	102mm (4.00")	127mm (5.00")	152mm (6.00")	178mm (7.00")	203mm (8.00")	229mm (9.00")	254mm (10.00")	305mm (12.00")	
6	98266-0052	98266-0054	98266-0056	98266-0058	98266-0060	98266-0062	98266-0064	98266-0066	98266-0068	98266-0070	98266-0072	
7	98266-0744	98266-0746	98266-0748	98266-0750	98266-0752	98266-0754	98266-0756	98266-0758	98266-0760	98266-0762	98266-0764	
8	98266-0074	98266-0076	98266-0078	98266-0080	98266-0082	98266-0084	98266-0086	98266-0088	98266-0090	98266-0092	98266-0094	
9	98266-0766	98266-0768	98266-0770	98266-0772	98266-0774	98266-0776	98266-0778	98266-0780	98266-0782	98266-0784	98266-0786	
10	98266-0096	98266-0098	98266-0100	98266-0102	98266-0104	98266-0106	98266-0108	98266-0110	98266-0112	98266-0114	98266-0116	
11	98266-0788	98266-0790	98266-0792	98266-0794	98266-0796	98266-0798	98266-0800	98266-0802	98266-0804	98266-0806	98266-0808	
12	98266-0118	98266-0120	98266-0122	98266-0124	98266-0126	98266-0128	98266-0130	98266-0132	98266-0134	98266-0136	98266-0138	
13	98266-0810	98266-0812	98266-0814	98266-0816	98266-0818	98266-0820	98266-0822	98266-0824	98266-0826	98266-0828	98266-0830	
14	98266-0140	98266-0142	98266-0144	98266-0146	98266-0148	98266-0150	98266-0152	98266-0154	98266-0156	98266-0158	98266-0160	
15	98266-0832	98266-0834	98266-0836	98266-0838	98266-0840	98266-0842	98266-0844	98266-0846	98266-0848	98266-0850	98266-0852	
16	98266-0162	98266-0164	98266-0166	98266-0168	98266-0170	98266-0172	98266-0174	98266-0176	98266-0178	98266-0180	98266-0182	
17	98266-0854	98266-0856	98266-0858	98266-0860	98266-0862	98266-0864	98266-0866	98266-0868	98266-0870	98266-0872	98266-0874	
18	98266-0184	98266-0186	98266-0188	98266-0190	98266-0192	98266-0194	98266-0196	98266-0198	98266-0200	98266-0202	98266-0204	
19	98266-0876	98266-0878	98266-0880	98266-0882	98266-0884	98266-0886	98266-0888	98266-0890	98266-0892	98266-0894	98266-0896	
20	98266-0206	98266-0208	98266-0210	98266-0212	98266-0214	98266-0216	98266-0218	98266-0220	98266-0222	98266-0224	98266-0226	
21	98266-0898	98266-0900	98266-0902	98266-0904	98266-0906	98266-0908	98266-0910	98266-0912	98266-0914	98266-0916	98266-0918	
22	98266-0228	98266-0230	98266-0232	98266-0234	98266-0236	98266-0238	98266-0240	98266-0242	98266-0244	98266-0246	98266-0248	
23	98266-0920	98266-0922	98266-0924	98266-0926	98266-0928	98266-0930	98266-0932	98266-0934	98266-0936	98266-0938	98266-0940	
24	98266-0250	98266-0252	98266-0254	98266-0256	98266-0258	98266-0260	98266-0262	98266-0264	98266-0266	98266-0268	98266-0270	
25	98266-0942	98266-0944	98266-0946	98266-0948	98266-0950	98266-0952	98266-0954	98266-0956	98266-0958	98266-0960	98266-0962	
26	98266-0272	98266-0274	98266-0276	98266-0278	98266-0280	98266-0282	98266-0284	98266-0286	98266-0288	98266-0290	98266-0292	
27	98266-0964	98266-0966	98266-0968	98266-0970	98266-0972	98266-0974	98266-0976	98266-0978	98266-0980	98266-0982	98266-0984	
28	98266-0294	98266-0296	98266-0298	98266-0300	98266-0302	98266-0304	98266-0306	98266-0308	98266-0310	98266-0312	98266-0314	Yes
29	98266-0986	98266-0988	98266-0990	98266-0992	98266-0994	98266-0996	98266-0998	98266-1000	98266-1002	98266-1004	98266-1006	
30	98266-0316	98266-0318	98266-0320	98266-0322	98266-0324	98266-0326	98266-0328	98266-0330	98266-0332	98266-0334	98266-0336	
31	98266-1008	98266-1010	98266-1012	98266-1014	98266-1016	98266-1018	98266-1020	98266-1022	98266-1024	98266-1026	98266-1028	
32	98266-0338	98266-0340	98266-0342	98266-0344	98266-0346	98266-0348	98266-0350	98266-0352	98266-0354	98266-0356	98266-0358	
33	98266-1030	98266-1032	98266-1034	98266-1036	98266-1038	98266-1040	98266-1042	98266-1044	98266-1046	98266-1048	98266-1050	
34	98266-0360	98266-0362	98266-0364	98266-0366	98266-0368	98266-0370	98266-0372	98266-0374	98266-0376	98266-0378	98266-0380	
35	98266-1052	98266-1054	98266-1056	98266-1058	98266-1060	98266-1062	98266-1064	98266-1066	98266-1068	98266-1070	98266-1072	
36	98266-0382	98266-0384	98266-0386	98266-0388	98266-0390	98266-0392	98266-0394	98266-0396	98266-0398	98266-0400	98266-0402	
37	98266-1074	98266-1076	98266-1078	98266-1080	98266-1082	98266-1084	98266-1086	98266-1088	98266-1090	98266-1092	98266-1094	
38	98266-0404	98266-0406	98266-0408	98266-0410	98266-0412	98266-0414	98266-0416	98266-0418	98266-0420	98266-0422	98266-0424	
39	98266-1096	98266-1098	98266-1100	98266-1102	98266-1104	98266-1106	98266-1108	98266-1110	98266-1112	98266-1114	98266-1116	
40	98266-0426	98266-0428	98266-0430	98266-0432	98266-0434	98266-0436	98266-0438	98266-0440	98266-0442	98266-0444	98266-0446	
41	98266-1118	98266-1120	98266-1122	98266-1124	98266-1126	98266-1128	98266-1130	98266-1132	98266-1134	98266-1136	98266-1138	
42	98266-0448	98266-0450	98266-0452	98266-0454	98266-0456	98266-0458	98266-0460	98266-0462	98266-0464	98266-0466	98266-0468	
43	98266-1140	98266-1142	98266-1144	98266-1146	98266-1148	98266-1150	98266-1152	98266-1154	98266-1156	98266-1158	98266-1160	
44	98266-0470	98266-0472	98266-0474	98266-0476	98266-0478	98266-0480	98266-0482	98266-0484	98266-0486	98266-0488	98266-0490	
45	98266-1162	98266-1164	98266-1166	98266-1168	98266-1170	98266-1172	98266-1174	98266-1176	98266-1178	98266-1180	98266-1182	
46	98266-0492	98266-0494	98266-0496	98266-0498	98266-0500	98266-0502	98266-0504	98266-0506	98266-0508	98266-0510	98266-0512	
47	98266-1184	98266-1186	98266-1188	98266-1190	98266-1192	98266-1194	98266-1196	98266-1198	98266-1200	98266-1202	98266-1204	
48	98266-0514	98266-0516	98266-0518	98266-0520	98266-0522	98266-0524	98266-0526	98266-0528	98266-0530	98266-0532	98266-0534	
49	98266-1206	98266-1208	98266-1210	98266-1212	98266-1214	98266-1216	98266-1218	98266-1220	98266-1222	98266-1224	98266-1226	
50	98266-0536	98266-0538	98266-0540	98266-0542	98266-0544	98266-0546	98266-0548	98266-0550	98266-0552	98266-0554	98266-0556	