

Ceramic AC Capacitors

Class X1, 440V_{AC} / Class Y2, 300V_{AC}

DESIGN:

Disc capacitors with epoxy coating

RATED VOLTAGE U_R:

(X1): 440V_{AC}, 50Hz (IEC 60384-14.2)
 (Y2): 300V_{AC}, 50Hz (IEC 60384-14.2)
 250V_{AC}, 60Hz (UL1414, CSA C22.2)

DIELECTRIC STRENGTH BETWEEN LEADS:

Component test:
 2600V_{DC}, 50Hz, 2s
 As repeated test admissible only once with
 2340V_{AC}, 50Hz, 2s
 Random sampling test (destructive test):
 2600V_{AC}, 50Hz, 60s

DIELECTRIC STRENGTH OF BODY INSULATION:

2600V_{AC}, 50Hz, 60s (destructive test)

DISSIPATION FACTOR tan δ:

≤ 25 · 10⁻³

INSULATION RESISTANCE R_{is}:

≥ 6 · 10⁹Ω

CATEGORY TEMPERATURE RANGE θ_A:

(- 40 to +125)°C

CLIMATIC CATEGORY ACC. TO EN60068-1:

40/125/21

COATING:

Epoxy, dipped, insulating, flame retarding acc. to
 UL 94V-0

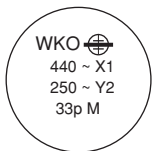
TAPING AND SPECIAL LEAD CONFIGURATIONS:

On request

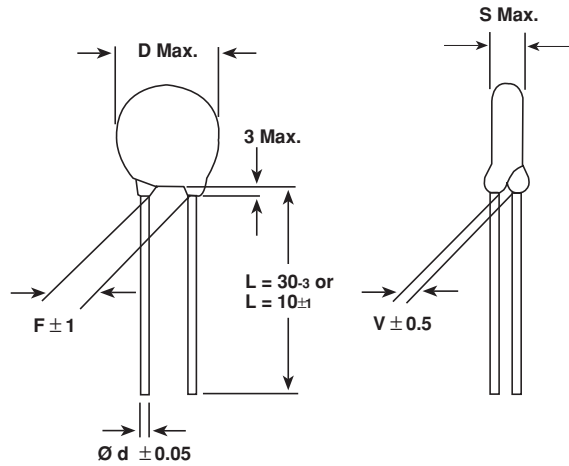
MARKING:

D ≤ 9mm

D ≥ 10mm

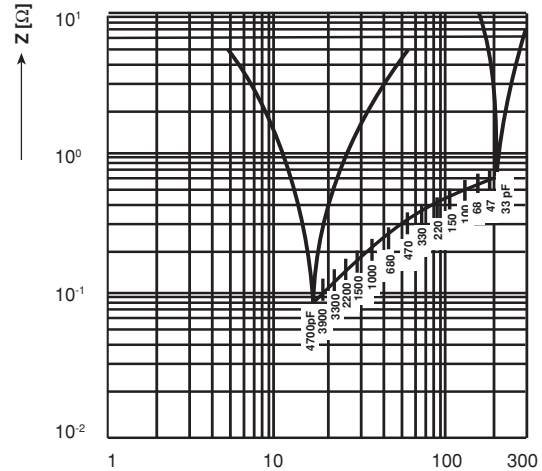


All approval marks are also shown on the label.

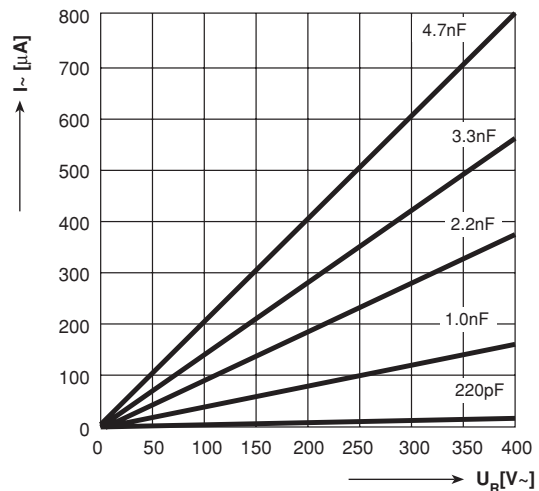


• Dimensions in mm

Impedance (Z) as a function of frequency (f) at T_a = 20°C (average). Measurement with lead length 50mm.



I = f (U_R) (typ.)





CAPACITANCE (pF)	D x s Max. (mm)	F ± 1* (mm)	d ± 0.05* (mm)	V ± 0.5* (mm)	ORDERING CODE	CERAMIC DIELECTRIC	
33	7.0 x 4.5	7.5	0.6	1.6	WKO330□CP□□□K	N 750	
47	7.0 x 4.5				WKO470□CP□□□K		
68	7.0 x 4.5				WKO680□CP□□□K		
100	7.0 x 4.5			1.9	WKO101□CP□□□K	K 1200	
150	7.0 x 4.5				WKO151□CP□□□K		
220	7.0 x 4.5				WKO221□CP□□□K	K 2000	
330	7.0 x 4.5				WKO331□CP□□□K		
470	7.0 x 4.5				WKO471□CP□□□K		
680	9.0 x 5.0				0.8	2.0	WKO681□CP□□□K
1000	9.0 x 5.0			WKO102□CP□□□K			
1500	10.0 x 5.0			WKO152□CP□□□K			
2200	12.0 x 5.0			WKO222□CP□□□K			
3300	13.0 x 5.0			2.1		WKO332□CP□□□K	
3900	14.5 x 5.0					WKO392□CP□□□K	
4700	14.5 x 5.0					WKO472□CP□□□K	
		12.5					

*Standard lead configuration, other lead spacing and diameter available on request

Capacitance Tolerances: ± 10%, ± 20%

Ordering Code:	<input type="checkbox"/> 7th digit:	Capacitance tolerance:	± 10% = K ± 20% = M
	<input type="checkbox"/> 10th/11th/12th digit:	Lead configuration (See General Information)	

APPROVALS			
IEC 60384-14 2nd Edition (1993) Table II & A 1 (1995-06)	(Y2) CB-Test Certificate (X1) CB-Test Certificate	Fi 338A 2 (250V _{AC}) Fi 435 A 1 (440V _{AC})	
EN 132400 (1994) These approvals together with the CB-Test Certificate substitutes the national approval of the nations given in the table below	(Y2) CB-Test Certificate (X1) CB-Test Certificate	DE 1-7465 (300V _{AC}) DE 1-7465 (440V _{AC})	
UL 1414	Across-the-line, line to ground antenna-coupling and line-by-pass capacitor	E 183844 V1 S2 (250V _{AC})	
CSA C22.2 No. 1-M1981	33pF to 1500pF: Across-the-line, line-to-ground and antenna isolation capacitor 2200pF to 4700pF: Antenna and line isolation capacitor	LR 64546-10 (250V _{AC})	

This approval mark together with the CB-Certificate replace all national approval marks of the following countries (they have already signed the CB-Agreement):				
Austria	Belgium	Denmark	Finland	Sweden
France	Germany	Ireland	Italy	Switzerland
Netherlands	Israel	Portugal	Spain	Great Britain
Japan	Norway	China	Poland	Czech. Republic
Singapore	Rep. of Korea	Hungary	Iceland	Slovenia