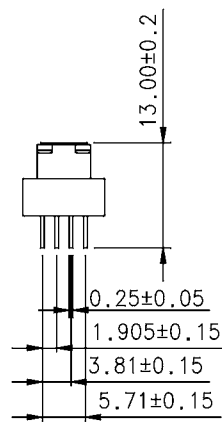


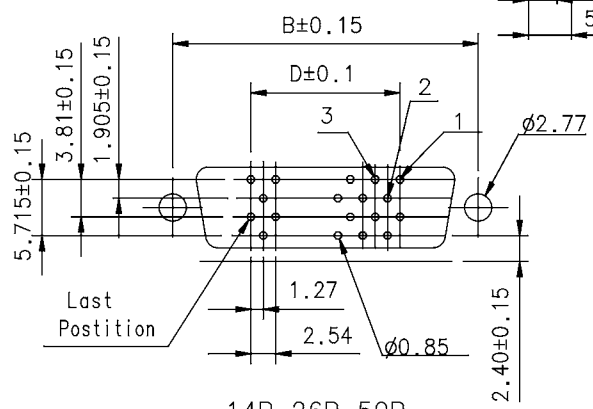
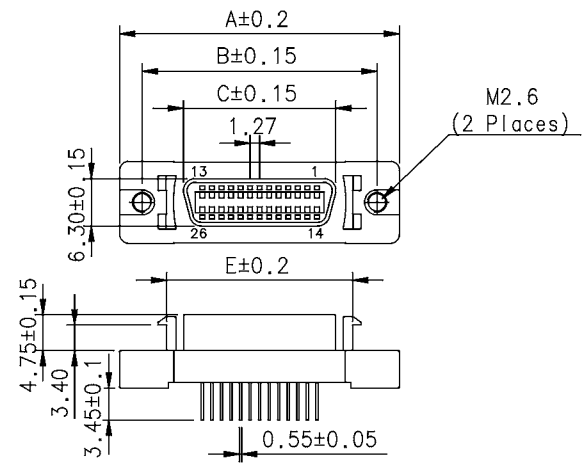
S Type

o (Without Latch Blocks)

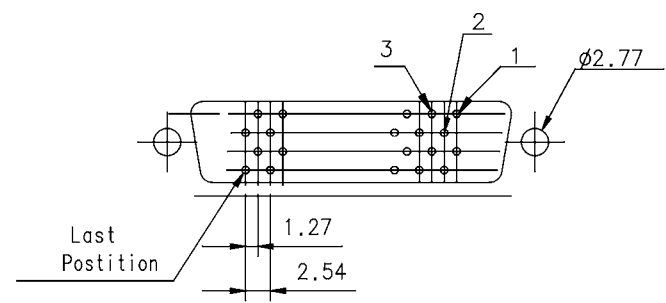


L Type

o (With Latch Blocks)



14P, 26P, 50P
PC Board Mounting Dimensions



20P, 36P, 68P
PC Board Mounting Dimensions

Dimensions

NO OF CONTACTS	A	B	C	D	E
14	29.57	23.64	12.63	7.62	17.02
20	33.38	27.44	16.44	11.43	20.60
26	37.20	31.20	20.25	15.24	24.64
36	43.50	37.60	26.60	21.59	30.99
50	52.60	46.80	35.50	30.48	39.88
68	64.00	57.90	46.90	41.91	51.30



FEATURES:
 Half pitch 1.27mm(.050") series
 Ribbon type dip mount connector
 Bracket with latch block and without latch block
 Steel body provide EMI/RFI shielded

MATERIALS:
 Housing and cover: Plastic thermoplastic P.B.T UL94V-0
 Contact: Phosphor bronze gold selective plated over Tin
 Shell: Steel, Nickel or tin plated over copper
 Bracket: Steel, Nickel plated over copper
 Boardlock: Brass Tin plated over copper

ELECTRICAL:
 Current Rating: 1 Amp
 Insulation Resistance: >500M /Win
 Withstanding Voltage: AC 500V/r.m.s for 1 Minute
 Contact Resistance: 35m VMax
 Temperature Range: -55°C ~ +105°C

o Ordering Information

MD5 SP 68 F 0 L 3

SERIES
 Straight PCB termination

NUMBER OF CONTACT:
 14, 20, 26, 36, 68

CONTACT TYPES:
 F = female

CONTACT PLATING:
 0 = selective flash gold
 1 = selective 15u" gold
 2 = selective 30u" gold

FIXING DEVICE :
 L : Latching + Jackscrews
 S : jackscrews only

THREADED HOLES:
 1 : UNC # 2-56
 2 : UNC #4-40
 3 = M2.6

Amphenol Socapex Usine de Dole		TOL. GEN.							
		VOLUME PIECE							
ECH. 1,5 ENS. N SERIE		SURFACE PIECE							
		PROTECTION							
DATE DU TIRAGE		TRAITEMENT							
		MATIERE							
DOSSIER		CLIENT	A	CREATION PLAN	ATO	30/05 2005	ATO	A	X
DESIGNATION		N INTERNE		MODIFICATIONS	EXEC.	DATE	Approb	IND.	
NINI D SERIES		MD5 SP		xxF					