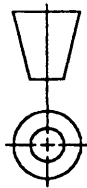


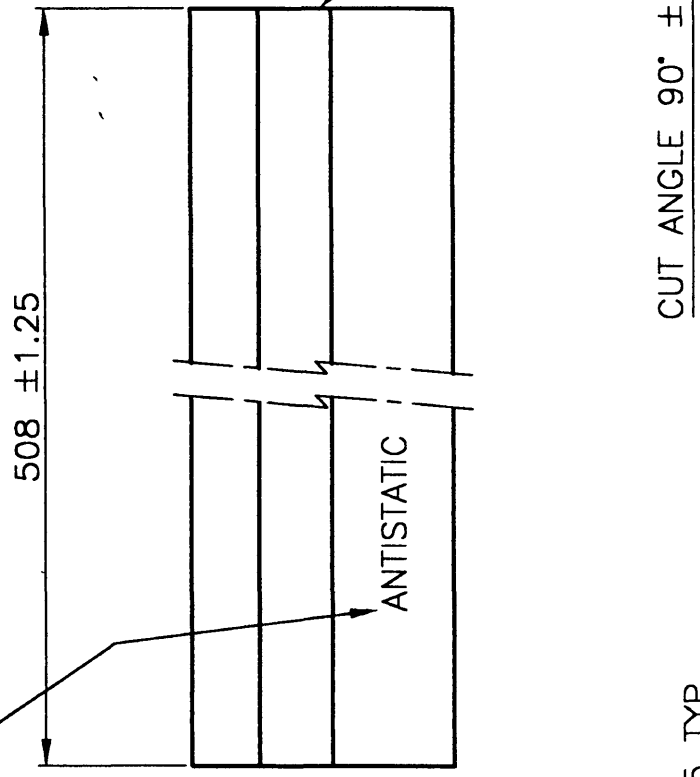
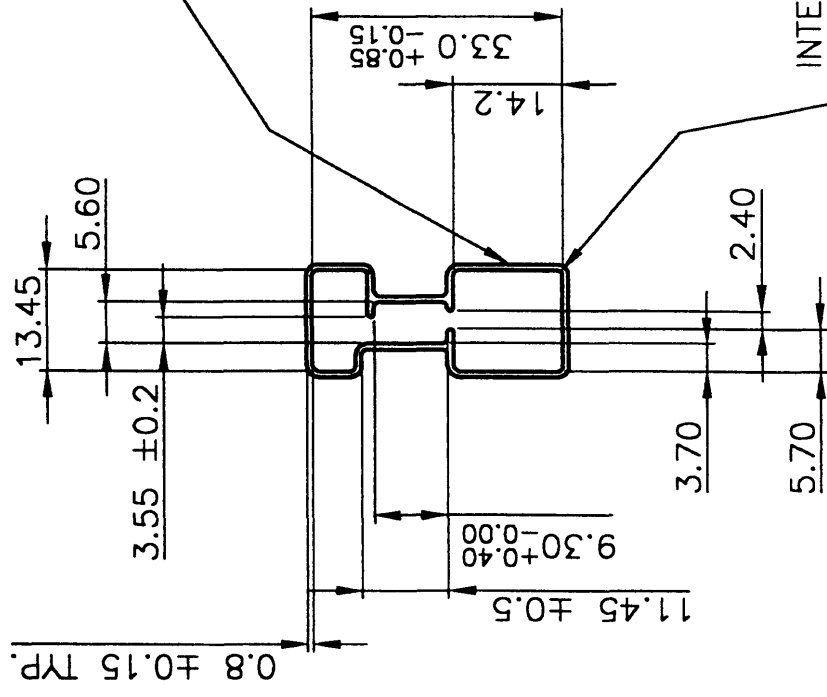
SKY ELECTRONIC SUPPLIES LTD.
 Unit 1, Shefford Business Park
 Clifton Road
 Shefford
 Beds. SG17 5AA
 Tel: (01462) 814798
 Fax: (01462) 814873



REVISIONS		MOD. No.
ISSUE	DATE	MODIFICATION
1	12-11-95	DRAWING RAISED
		ISSUE

IF THIS STAMP IS
 NOT RED IN COLOUR
 THEN THIS IS AN
 UNCONTROLLED COPY

RANDOM PRINT ON
 THIS FACE WITH PRINT
 WHEEL NUMBER: 56
 INK COLOUR: BLUE



INTERNAL RAD 0.75 TYP.

ALL UNSPECIFIED TOLERANCES:	0.0	±0.50
ALL DIMENSIONS IN mm	0.00	±0.25
TITLE :	0.000	±0.10
	ANGLES	±1°
PART No: 945357-03		

QUOTE No.	95320	DRAWN	M.C. Potter
COLOUR	CLEAR	DATE	12-11-95
MATERIAL	RPVC	CHECKED	<i>[Signature]</i>
AREA	90.6 mm ²	DATE	12-10-95
TOOL REF.	N/A	SCALE	1:1

Electronic Packaging
 GRAFTON WAY, WEST HAM INDUSTRIAL ESTATE,
 BASINGSTOKE, HAMPSHIRE. RG22 6HY
 TEL: (0256) 466772 FAX: (0256) 461900

THIS DOCUMENT IS CONFIDENTIAL & IT'S PROPERTY IT MUST NOT BE COPIED OR SHOWN TO OTHERS WITHOUT THE WRITTEN CONSENT OF ITW.