

HG\$Jer\$ xsxw

Long Life Fan □ 92mm

WER \$GI =6P



Long Life Fans

■ Kirive\$timigexsrw

Life expectancy100,000 hours, indoor environment(survival rate: 90% at 60°C, rated voltage, and continuously run in a free air state)

Motor protection system ..Current cut system (with reverse-connection protection)

Dielectric strength50/60 Hz, 500 VAC, 1 minute
(between lead conductor and frame)

Operating thermally range -10°C to +70°C (non-condensing)

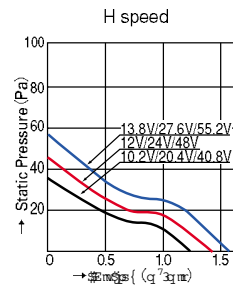
Fan power leadH and F speeds, ⊕ red, ⊖ black
M and L speeds, ⊕ red, ⊖ blue

69 q x lngo

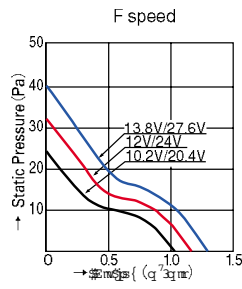
Wtignigexsrw

Model No	Rated voltage (V)	Operating voltage range (V)	Rated current (A)	Rated input (W)	Rated rotating speed (min ⁻¹)	Air flow (m ³ /min)	Air flow (CFM)	Static pressure (Pa)	Noise (dB[A])	質量 (g)
54=P4=56L 846	12	10.2~13.8	0.21	2.52	2,850	1.38	48.7	45.1	33	170
54=P4=56J 846			0.14	1.68	2,450	1.18	41.7	32.3	30	
54=P4=56Q 846			0.11	1.32	2,100	1.01	35.7	23.5	27	
54=P4=56P 846			0.08	0.96	1,700	0.80	28.2	16.7	23	
54=P4=68L 846	24	20.4~27.6	0.12	2.88	2,850	1.38	48.7	45.1	33	
54=P4=68J 846			0.08	1.92	2,450	1.18	41.7	32.3	30	
54=P4=68Q 846			0.06	1.44	2,100	1.01	35.7	23.5	27	
54=P4=68P 846			0.05	1.2	1,700	0.80	28.2	16.7	23	
54=P4=8<L 846	48	40.8~55.2	0.06	2.88	2,850	1.38	48.7	45.1	33	

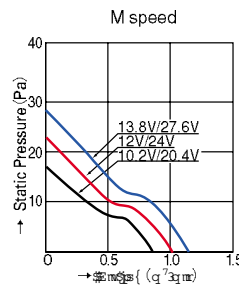
X) tge\$ns { \$rh\$ex\$ viwvi\$ leve\$vwzgw



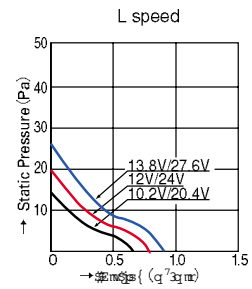
54=P4=56L 846
54=P4=68L 846
54=P4=8<L 846



54=P4=56J 846
54=P4=68J 846



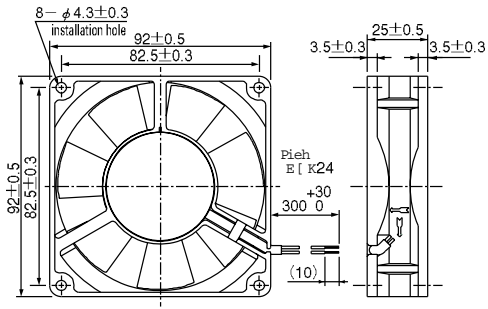
54=P4=56Q 846
54=P4=68Q 846



54=P4=56P 846
54=P4=68P 846

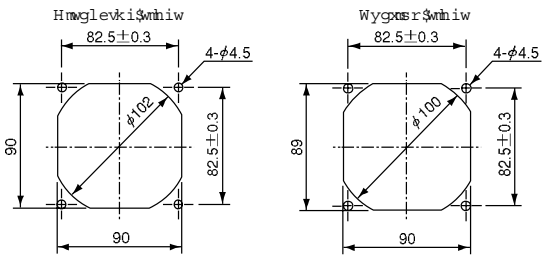
±6mm

Horizontal fan



Long Life Fans

Vertical fan



6mm

SANYO DENKI

51591500 me is wyoc (Xswlmg eloy Oso) s; 41:8950 Net er: 21 L S R I 34 / <575=5; 9595
 Leq i: 3 eki l x t 33 ({ 2er) shiro q s 2t

How to read the model number

General fans

109

Represents a fan motor.

R

Additional number: Used to classify the remodeling performed or for other purposes.

P : Mold frame type
R : Mold frame type
E : Aluminum frame
L : Long Life Fan
W : Splash Proof Fan

12

Frame dimensions code

04 : 40 x 40mm
05 : 52 x 52mm
06 : 60 x 60mm
08 : 80 x 80mm
09 : 92 x 92mm
12 : 119 x 119mm
14 : 140 x 140mm
17 : 172mm dia
57 : 172mm dia,
51 mm wide,
side cut

12

Voltage code
05 : 5v
12 : 12V
21 : 21V
24 : 24V
48 : 48V

H

Speed code

S : Super-speed
H : **High speed**
F : Medium speed between H and M
M : Middle speed
L : Low speed
W : Wide range
MH: Two speeds, H and M

1

Sensor and specific specification code

01 : With pulse sensor
02 : Sensor-less
D01 : With lock sensor
H01:With low-speed sensor

Frame thickness code

1 : 38mm thick 5: 51mmthick
2 : 32mmthick 6 : 20mm thick
3 : 28mmthick 7 : 15mmthick
4 : 25mm thick

1

Ribless 1
Ribbed

Thermally speed controlled fans

109

Represents a fan motor.

R

Additional number: Used to classify the remodeling performed or for other purposes.

P : Mold frame type
R : Mold frame type

12

Frame dimensions code

05 : 52 x 52mm
06 : 60 x 60mm
08 : 80 x 80mm
09 : 92 x 92mm
12 : 119 x 119mm

12

Voltage code
12 : 12V

T

Represents a thermally speed controlled fan.

1

Frame thickness code

1 : 38mm thick
4 : 25mm thick
6 : 20mm thick
7 : 15mm thick

H

Speed code

H : High speed

11

Sensor and specific specification code

10 : With lock sensor
11 : **With pulse sensor**
12 : Sensor-less

2

External view code

Nil:Ribbed frame product with an external thermistor
1:Ribless frame product with an external thermistor
2 : Ribbed frame product with a built-in thermistor
3 : Ribless frame product with a built-in thermistor

CPU cooler

109

Represents a fan motor.

P

Additional number: Used to classify the remodeling performed or for other purposes.

P : Mold frame type

44

Heat sink dimensions code

44 : 45 x 45mm or 44.5 x **44.5mm**
54 : 54 x 54mm or 50.8 x **50.8mm**
66 : 66 x 62mm

05

Voltage code
05 : 5V
12 : 12V

H

Speed code,
H : High speed
M : Middle speed

8

Frame thickness code

2 : 30mm thick
8 : **18mm thick**
9 : 10mm thick

D01

Sensor and specific specification code

01 : With pulse sensor
02 : Sensor-less
D01 : With lock sensor

6

External view code

6 : Terminal type

Sirocco fan

109

Represents a fan motor.

B

Additional number: Used to classify the remodeling performed or for other purposes.

B : Represents a sirocco fan.

F

Frame dimensions code
F : 120 x 120mm

12

Voltage code
12 : 12V
24 : 24V

H

Speed code
H : High speed
M : Middle speed

A

Sensor specification code

A : Sensor-less
C : With a pulse sensor
D : With a lock sensor

2

Frame thickness code
2 : 32mm thick